

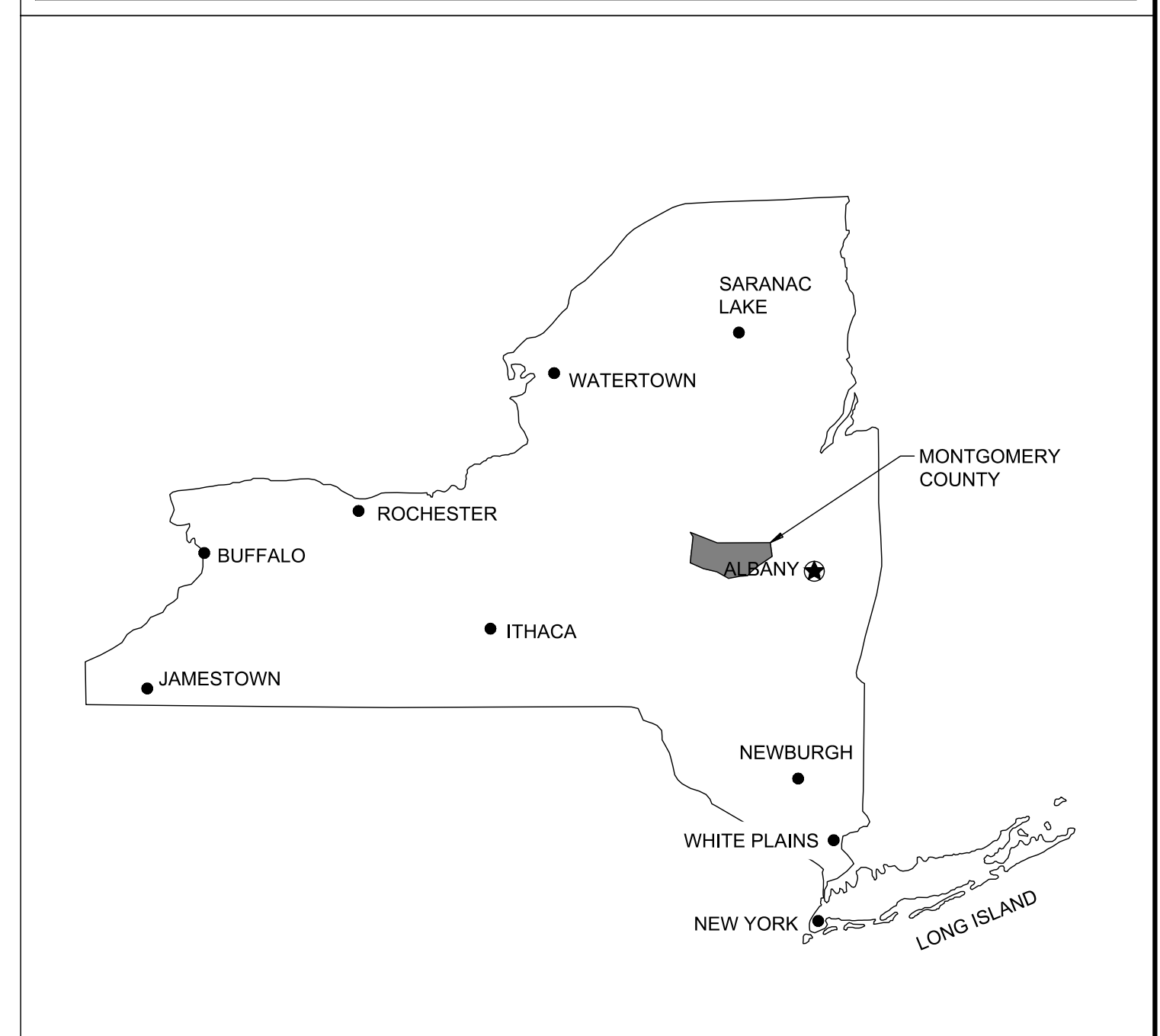
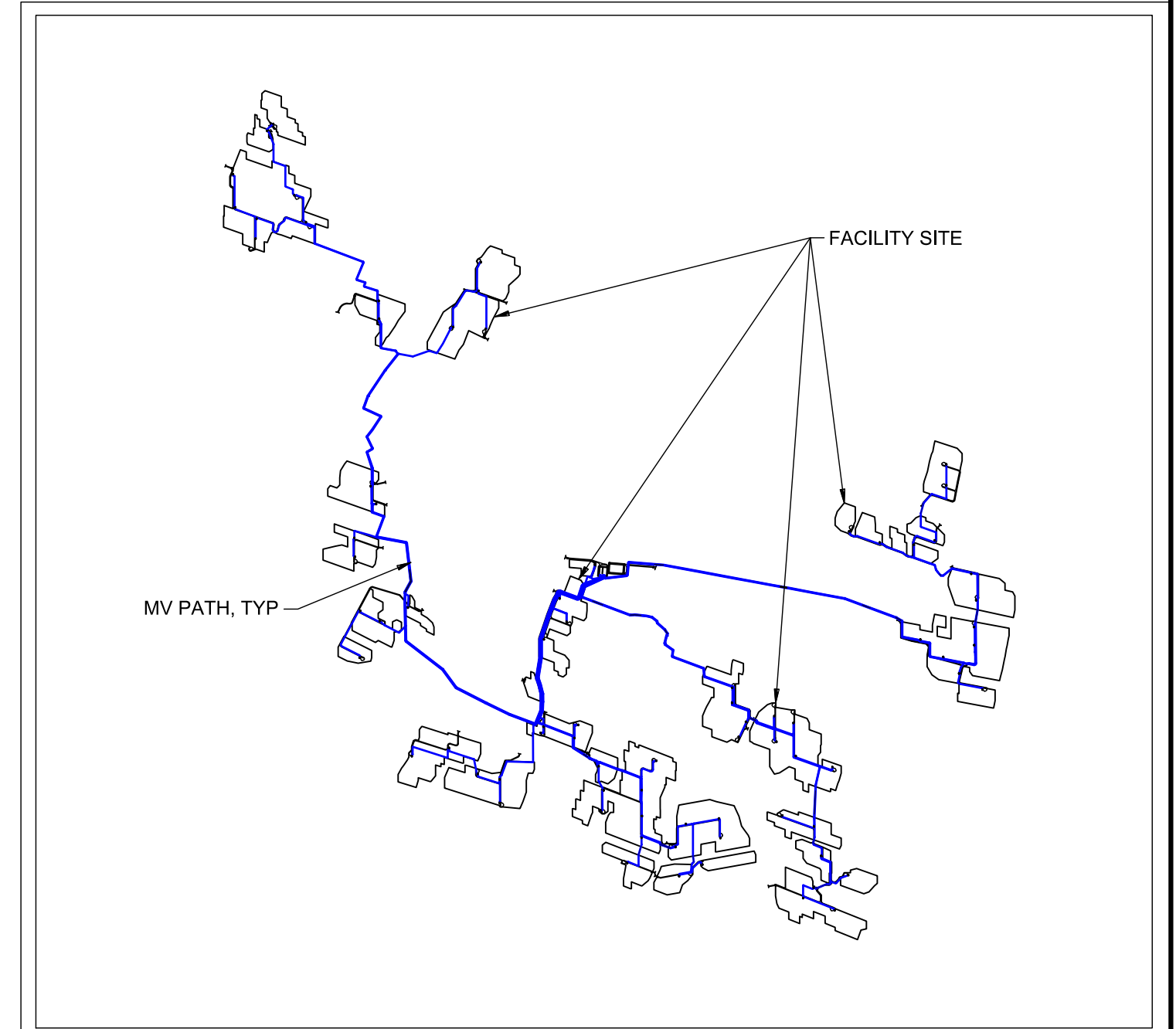
DWG NO.	DRAWING TITLE	DATE	REV.	DATE	REV.	DATE	REV.	DATE	REV.
FCS-E-400-00	COVER SHEET	04/12/24	1	06/07/24	2	06/25/24	3	07/26/24	4
FCS-E-400-01	OVERALL SITE PLAN	04/12/24	1	06/07/24	2	06/25/24	3	07/26/24	4
FCS-E-401-01	ARRAY PLAN 01	04/12/24	1	06/07/24	2	06/25/24	3	07/26/24	4
FCS-E-401-02	ARRAY PLAN 02	04/12/24	1	06/07/24	2	06/25/24	3	07/26/24	4
FCS-E-401-03	ARRAY PLAN 03	04/12/24	1	06/07/24	2	06/25/24	3	07/26/24	4
FCS-E-401-04	ARRAY PLAN 04	04/12/24	1	06/07/24	2	06/25/24	3	07/26/24	4
FCS-E-401-05	ARRAY PLAN 05	04/12/24	1	06/07/24	2	06/25/24	3	07/26/24	4
FCS-E-401-06	ARRAY PLAN 06	04/12/24	1	06/07/24	2	06/25/24	3	07/26/24	4
FCS-E-401-07	ARRAY PLAN 07	04/12/24	1	06/07/24	2	06/25/24	3	07/26/24	4
FCS-E-401-08	ARRAY PLAN 08	04/12/24	1	06/07/24	2	06/25/24	3	07/26/24	4
FCS-E-401-09	ARRAY PLAN 09	04/12/24	1	06/07/24	2	06/25/24	3	07/26/24	4
FCS-E-401-10	ARRAY PLAN 10	04/12/24	1	06/07/24	2	06/25/24	3	07/26/24	4
FCS-E-401-11	ARRAY PLAN 11	04/12/24	1	06/07/24	2	06/25/24	3	07/26/24	4
FCS-E-401-12	ARRAY PLAN 12	04/12/24	1	06/07/24	2	06/25/24	3	07/26/24	4
FCS-E-401-13	ARRAY PLAN 13	04/12/24	1	06/07/24	2	06/25/24	3	07/26/24	4
FCS-E-401-14	ARRAY PLAN 14	04/12/24	1	06/07/24	2	06/25/24	3	07/26/24	4
FCS-E-401-15	ARRAY PLAN 15	04/12/24	1	06/07/24	2	06/25/24	3	07/26/24	4
FCS-E-401-16	ARRAY PLAN 16	04/12/24	1	06/07/24	2	06/25/24	3	07/26/24	4
FCS-E-401-17	ARRAY PLAN 17	04/12/24	1	06/07/24	2	06/25/24	3	07/26/24	4
FCS-E-401-18	ARRAY PLAN 18	04/12/24	1	06/07/24	2	06/25/24	3	07/26/24	4
FCS-E-401-19	ARRAY PLAN 19	04/12/24	1	06/07/24	2	06/25/24	3	07/26/24	4
FCS-E-401-20	ARRAY PLAN 20	04/12/24	1	06/07/24	2	06/25/24	3	07/26/24	4
FCS-E-401-21	ARRAY PLAN 21	04/12/24	1	06/07/24	2	06/25/24	3	07/26/24	4
FCS-E-402-01	TYPICAL DC SINGLE LINE DIAGRAM	04/12/24	1	06/07/24	2	06/25/24	3	07/26/24	4
FCS-E-403-01	SINGLE-AXIS TRACKER DETAILS	04/12/24	1	06/07/24	2	06/25/24	3	07/26/24	4
FCS-E-404-01	INVERTER SKID PLAN AND ELEVATION	04/12/24	1	06/07/24	2	06/25/24	3	07/26/24	4
FCS-E-406-01	EQUIPMENT DATA SHEETS	04/12/24	1	06/07/24	2	06/25/24	3	07/26/24	4
FCS-E-407-01	DC TRENCH DETAILS	04/12/24	1	06/07/24	2	06/25/24	3	07/26/24	4

FLAT CREEK SOLAR PROJECT

PREPARED FOR: CORDELIO POWER, LP
PREPARED BY: TRC ENGINEERS, INC.
ISSUE DATE: 07/26/24
ISSUE STATUS: ISSUED FOR NYS ORES REVIEW

PROJECT DATA
LOCATION: MONTGOMERY COUNTY, NY
PROJECTION: STATE PLANE NAD 83 (NY83-EF)
POWER GENERATED: 300 MWac

SITE MAP



THESE DESIGN DRAWINGS HAVE BEEN CREATED AT THE DIRECTION OF A PROFESSIONAL ENGINEER LICENSED IN THE STATE OF NEW YORK.
ENGINEER OF RECORD: JAYME GARCIA, LICENSE #090650
TRC ENGINEERS, INC., CERTIFICATE OF AUTHORIZATION NO. 001817,
1407 BROADWAY, SUITE 3301, NEW YORK, NY 10018.

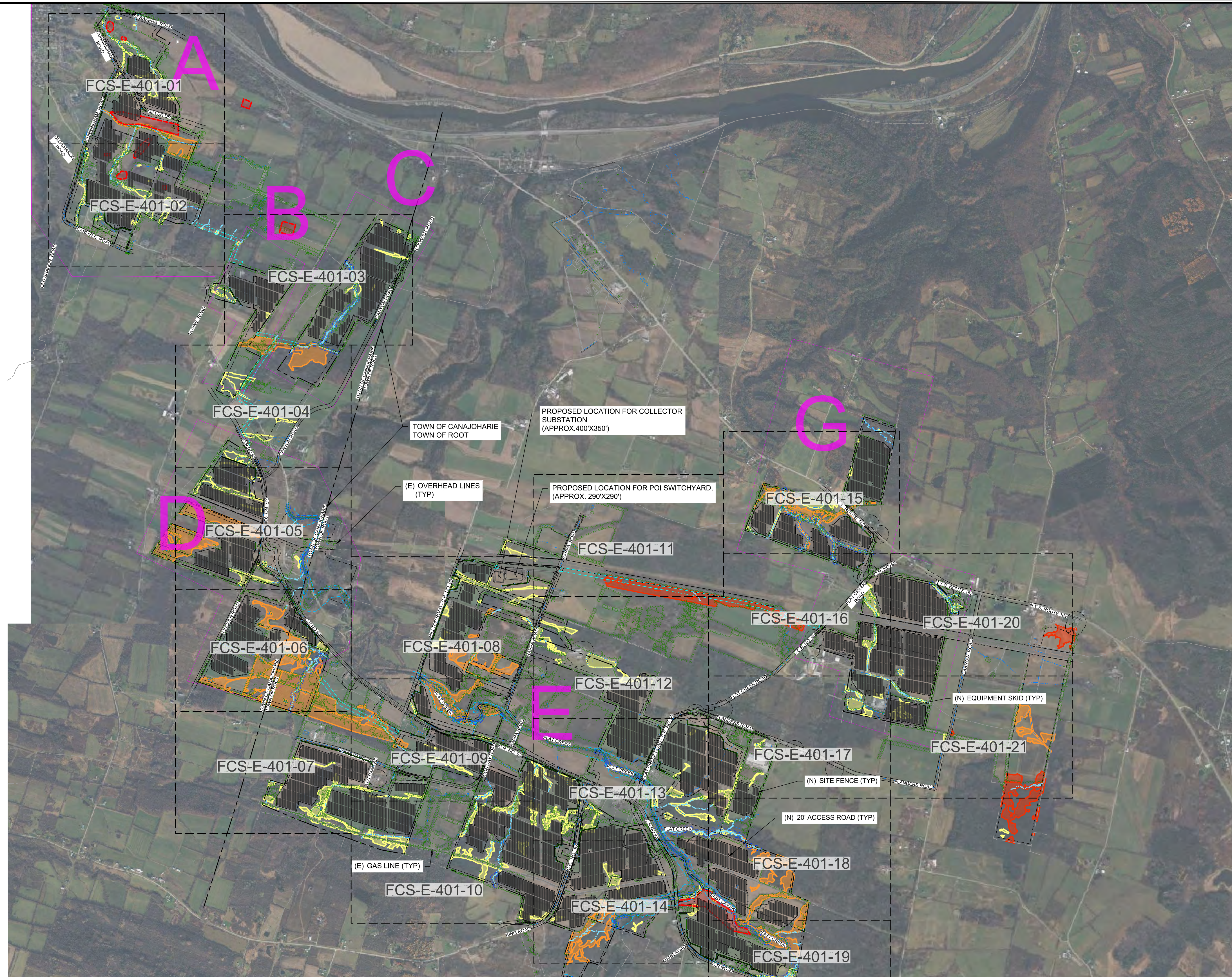
UNDER NEW YORK STATE EDUCATION LAW ARTICLE 145 (ENGINEERING), SECTION 7209 (2), IT IS A VIOLATION OF THE LAW FOR ANY PERSON, UNLESS ACTING UNDER THE DIRECTION OF A LICENSED PROFESSIONAL ENGINEER, TO ALTER THIS DOCUMENT.

THE STATE OF NEW YORK

PRELIMINARY
 NOT FOR CONSTRUCTION

3947 LENNANE DRIVE, SUITE 130 SACRAMENTO, CA 95834 PROJECT NO: 435979			JMR DESIGNED	FLAT CREEK SOLAR PROJECT		NEW YORK
			JT DRAWN	CORDELIO POWER LP		
		JMR CHECKED	COVER SHEET			
		JTG APPROVED	ROOT/CANAJOHARIE			
		REVIEW 1	07/26/24	TRC		FCS-E-400-00
		REVIEW 2	DATE AS NOTED	SCALE		REV. 4

REV	DESCRIPTION	DATE	DES	CHK	APP
4	ISSUED FOR NYS ORES REVIEW	07/26/24	JMR	JMR	JTG
3	ISSUED FOR FINAL CLIENT REVIEW	06/25/24	JMR	JMR	JTG
2	ISSUED FOR PHASE 3 CLIENT REVIEW	06/07/24	JMR	JMR	JTG
1	ISSUED FOR PHASE 2 CLIENT REVIEW	04/12/24	JMR	JMR	JTG



SYSTEM SUMMARY

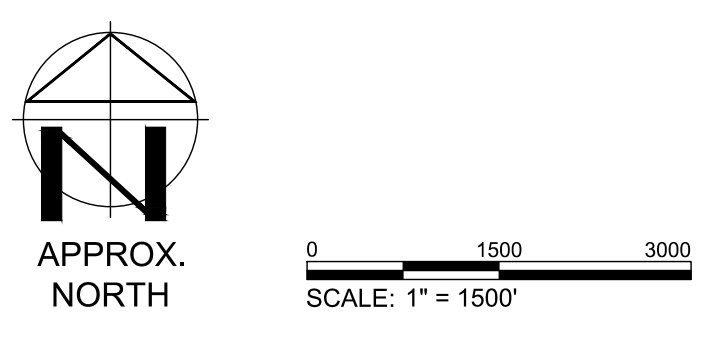
AREA ID	A	B	C	D	E	G
MODULE MODEL	Jinko JKM565M_72HL-BDVP					
MODULE STC DC RATING	565W					
MODULES PER SOURCE CIRCUIT	26					
TOTAL MODULE COUNT	50,700	11,284	29,380	49,530	303,160	106,678
TOTAL STC DC SYSTEM SIZE	28.65 MW	6.38 MW	16.60 MW	27.98 MW	171.29 MW	60.27 MW
TOTAL DC SYSTEM SIZE	311.17 MW					
AC SYSTEM SIZE @ POI	300 MW					
DC/AC RATIO @ POI	1.06					
ROW TO ROW SPACING (GCR)	20'-0" (39.7%)					
INVERTER MODEL / QTY	SMA SC 4200 UP-US / (79 EQUIPMENT SKIDS)					
INVERTER CAPACITY	293.16 MVA					
RACKING SYSTEM	SINGLE-AXIS TRACKING					
MODULE TILT	-60° TO 60°					
ARRAY AZIMUTH	180°					
SITE LATITUDE	42°					

LEGEND

- PARTICIPATING PARCELS
- (N) COLLECTION LINE RIGHT-OF-WAY- 200'
- 94C SETBACKS
- AVOIDANCE AREAS
- (E) TREELINE/BUSHES
- (E) STONEWALL
- (E) FENCE LINE
- (E) WATER FEATURES
- 50' SETBACK FROM CREEK
- 100-YR FEMA FLOODPLAIN
- 25' SETBACK FROM 100-YR FEMA FLOODPLAIN
- (E) PAVED ROAD
- (E) DIRT ROAD
- (E) GAS LINE
- (E) OVERHEAD LINE
- O/H AND GAS LINE EASEMENT
- NYSDEC-MAPPED WETLAND (CLASS 3)
- LIKELY ORES JURISDICTIONAL WETLAND (CLASS 4)
- USACE JURISDICTIONAL WETLAND
- WETLAND SHADE
- 100' ORES WETLAND SETBACK
- LANDSCAPE SCREENING

NOTE:
SEE SHEET E-601-00 FOR MEDIUM VOLTAGE TRENCH ROUTE.

PRELIMINARY
NOT FOR CONSTRUCTION



TRC 3947 LENNANE DRIVE, SUITE 130 **CORDELIO POWER** SACRAMENTO, CA 95834 PROJECT NO: 435979

REFERENCE ITEMS	REV	DESCRIPTION	DATE	DES	CHK	APP
	4	ISSUED FOR NYS ORES REVIEW	07/26/24	JMR	JMR	JTG
	3	ISSUED FOR FINAL CLIENT REVIEW	06/25/24	JMR	JMR	JTG
	2	ISSUED FOR PHASE 3 CLIENT REVIEW	06/07/24	JMR	JMR	JTG
	1	ISSUED FOR PHASE 2 CLIENT REVIEW	04/12/24	JMR	JMR	JTG



JMR DESIGNED
JT DRAWN
JMR CHECKED
JTG APPROVED

FLAT CREEK SOLAR PROJECT
CORDELIO POWER LP
OVERALL SITE PLAN

ROOT/CANAJOHARIE NEW YORK

DATE: 07/26/24
LIC. EXP.: 09-30-2026

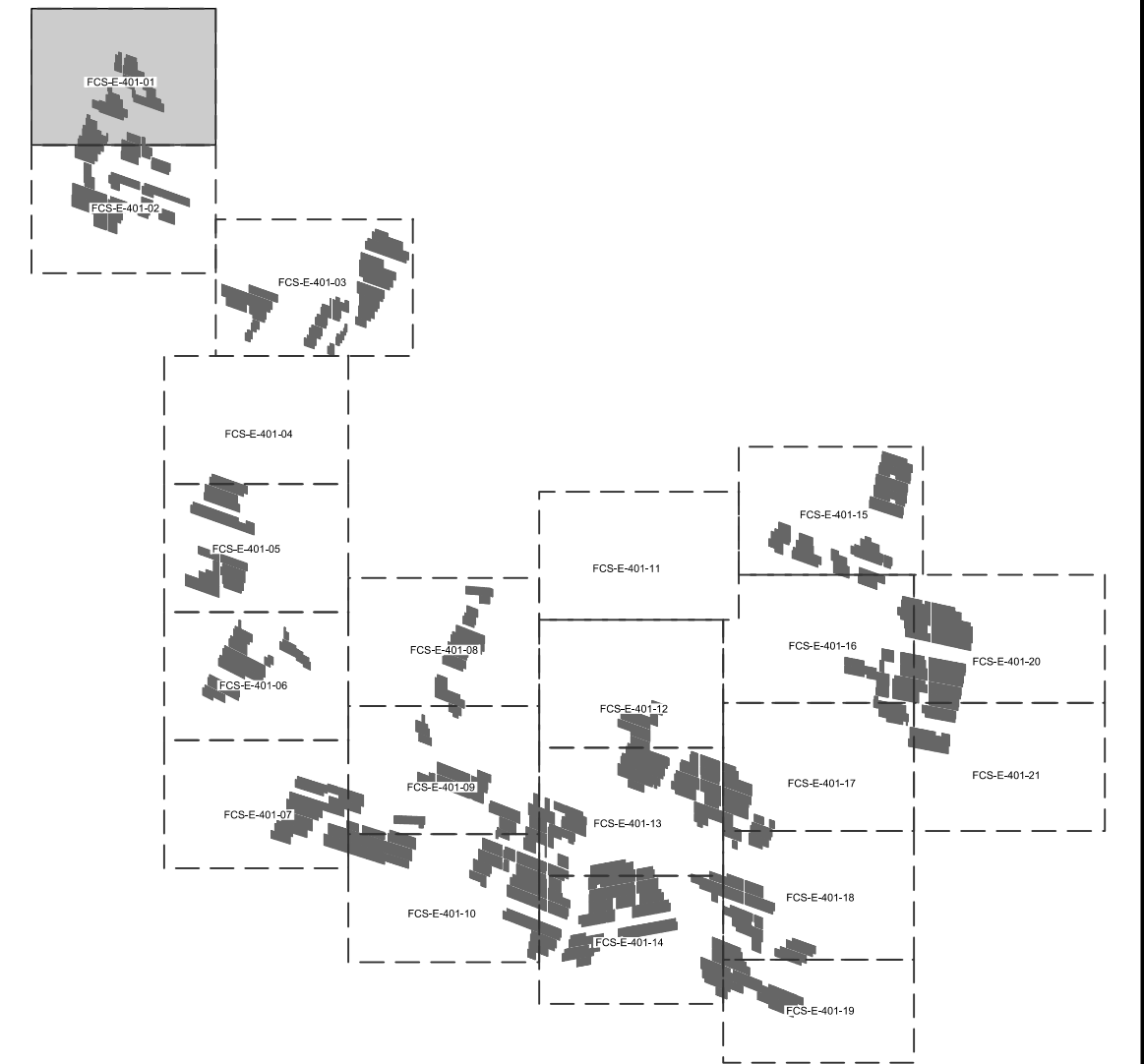
REVIEW 1
REVIEW 2

TRC FCS-E-400-01

REV. 4



KEY PLAN

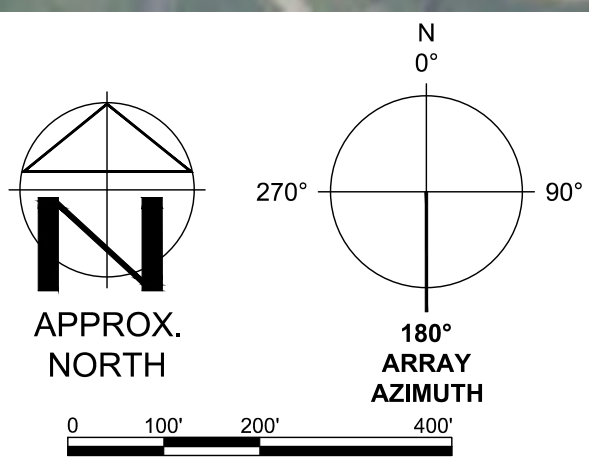


LEGEND

- WETLAND (ASSUMED USAGE)
- WETLAND (NYDEC)
- WETLAND (LIKELY-ORES)
- SURFACE WATER (USAGE)
- SURFACE WATER (ORES)
- AVOIDANCE AREAS
- STREAMS (ASSUMED USAGE)
- SINGLE AXIS TRACKER
- INVERTER
- MV ROUTING
- UTILITY EASEMENT
- OVERHEAD UTILITY
- BORE PIT
- FENCE
- LANDSCAPE BUFFER

NOTES:
 1. NEW MV CIRCUITS CROSS CREEK AT AN ANGLE BECAUSE THEY HAVE TO CROSS TRANSMISSION EASEMENT PERPENDICULARLY.

PRELIMINARY
NOT FOR CONSTRUCTION



MATCHLINE SHEET FCS-E-401-02

TRC 3947 LENNANE DRIVE, SUITE 130 SACRAMENTO, CA 95834 **CORDELO POWER**

PROJECT NO: 435979

REV	DESCRIPTION	DATE	DES	CHK	APP
4	ISSUED FOR NYS ORES REVIEW	07/26/24	JMR	JMR	JTG
3	ISSUED FOR FINAL CLIENT REVIEW	06/25/24	JMR	JMR	JTG
2	ISSUED FOR PHASE 3 CLIENT REVIEW	06/07/24	JMR	JMR	JTG
1	ISSUED FOR PHASE 2 CLIENT REVIEW	04/12/24	JMR	JMR	JTG



JMR	DESIGNED
JT	DRAWN
JMR	CHECKED
JTG	APPROVED
REVIEW 1	
REVIEW 2	

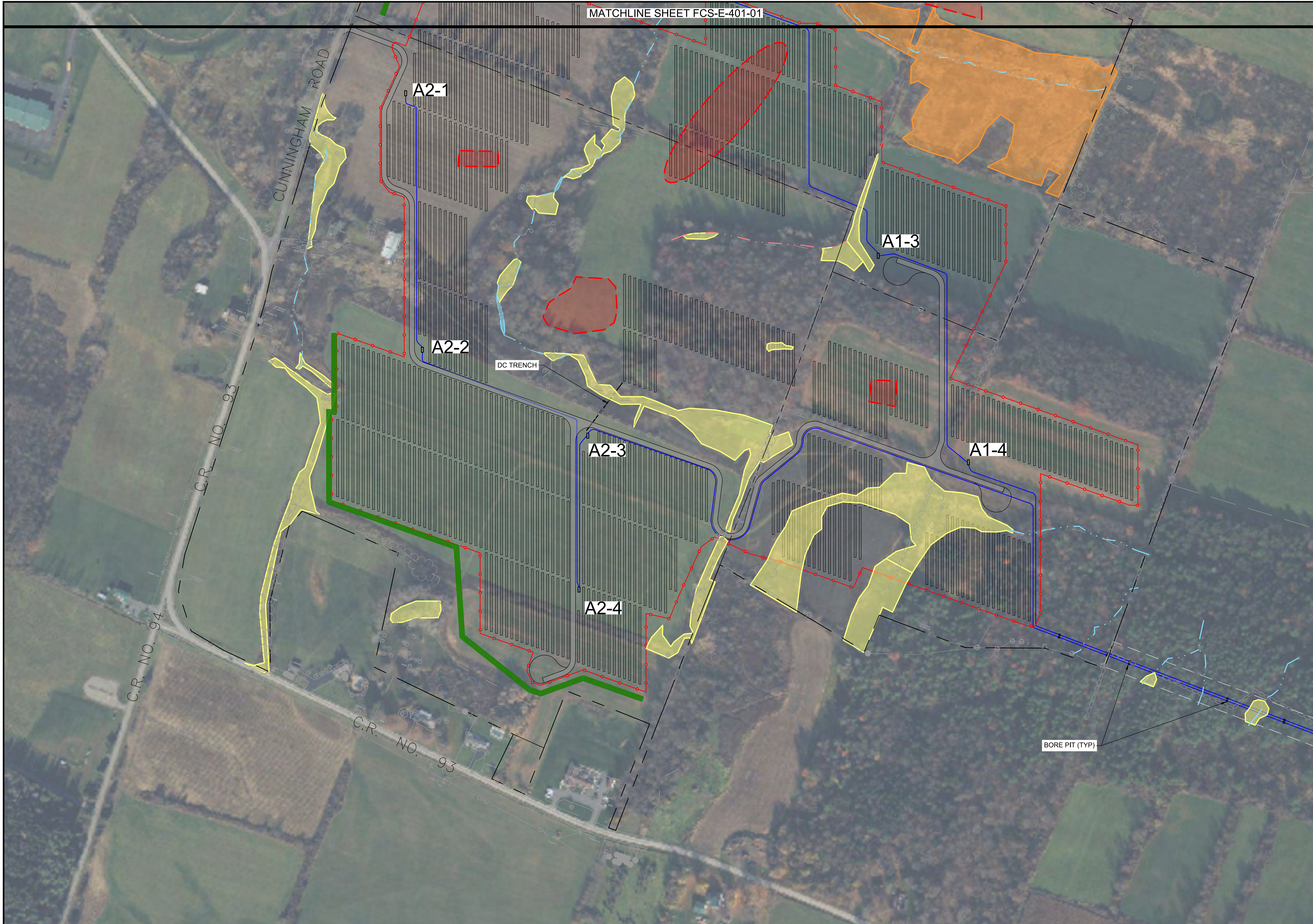
FLAT CREEK SOLAR PROJECT
CORDELO POWER LP
ARRAY PLAN 1

ROOT/CANAJOHARIE NEW YORK

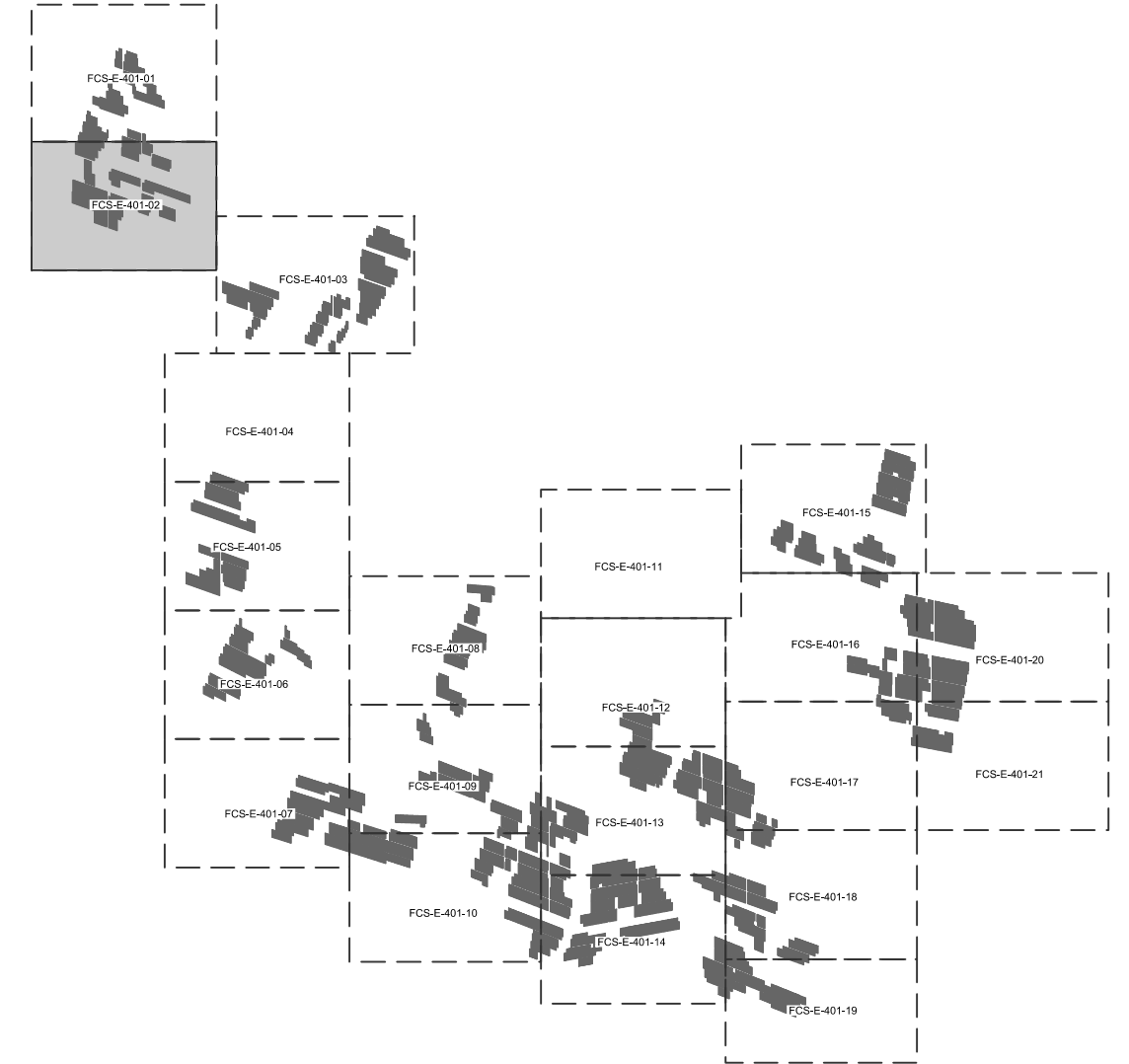
TRC FCS-E-401-01

REV: 4

MATCHLINE SHEET FCS-E-401-01



KEY PLAN



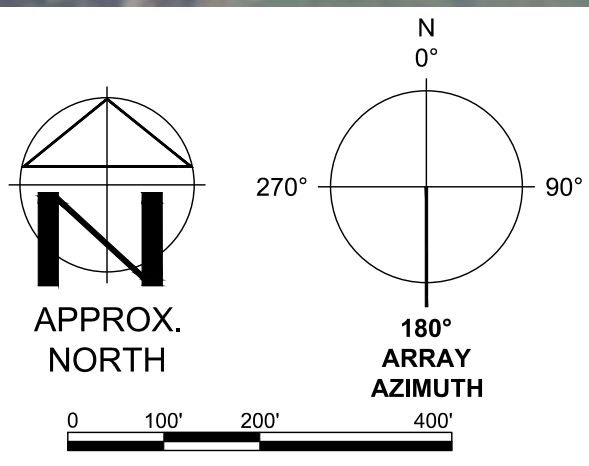
LEGEND

- WETLAND (ASSUMED USACE)
- WETLAND (NYDEC)
- WETLAND (LIKELY-ORES)
- SURFACE WATER (USACE)
- SURFACE WATER (ORES)
- AVOIDANCE AREAS
- STREAMS (ASSUMED USACE)
- SINGLE AXIS TRACKER
- INVERTER
- MV ROUTING
- UTILITY EASEMENT
- OHU
- BORE PIT
- FENCE
- LANDSCAPE BUFFER

NOTES:
 1. NEW MV CIRCUITS CROSS CREEK AT AN ANGLE BECAUSE THEY HAVE TO CROSS TRANSMISSION EASEMENT PERPENDICULARLY.

MATCHLINE SHEET FCS-E-401-03

PRELIMINARY
NOT FOR CONSTRUCTION



TRC 3947 LENNANE DRIVE, SUITE 130 **CORDELO POWER**
 SACRAMENTO, CA 95834

PROJECT NO: 435979

REV	DESCRIPTION	DATE	DES	CHK	APP
4	ISSUED FOR NYS ORES REVIEW	07/26/24	JMR	JMR	JTG
3	ISSUED FOR FINAL CLIENT REVIEW	06/25/24	JMR	JMR	JTG
2	ISSUED FOR PHASE 3 CLIENT REVIEW	06/07/24	JMR	JMR	JTG
1	ISSUED FOR PHASE 2 CLIENT REVIEW	04/12/24	JMR	JMR	JTG



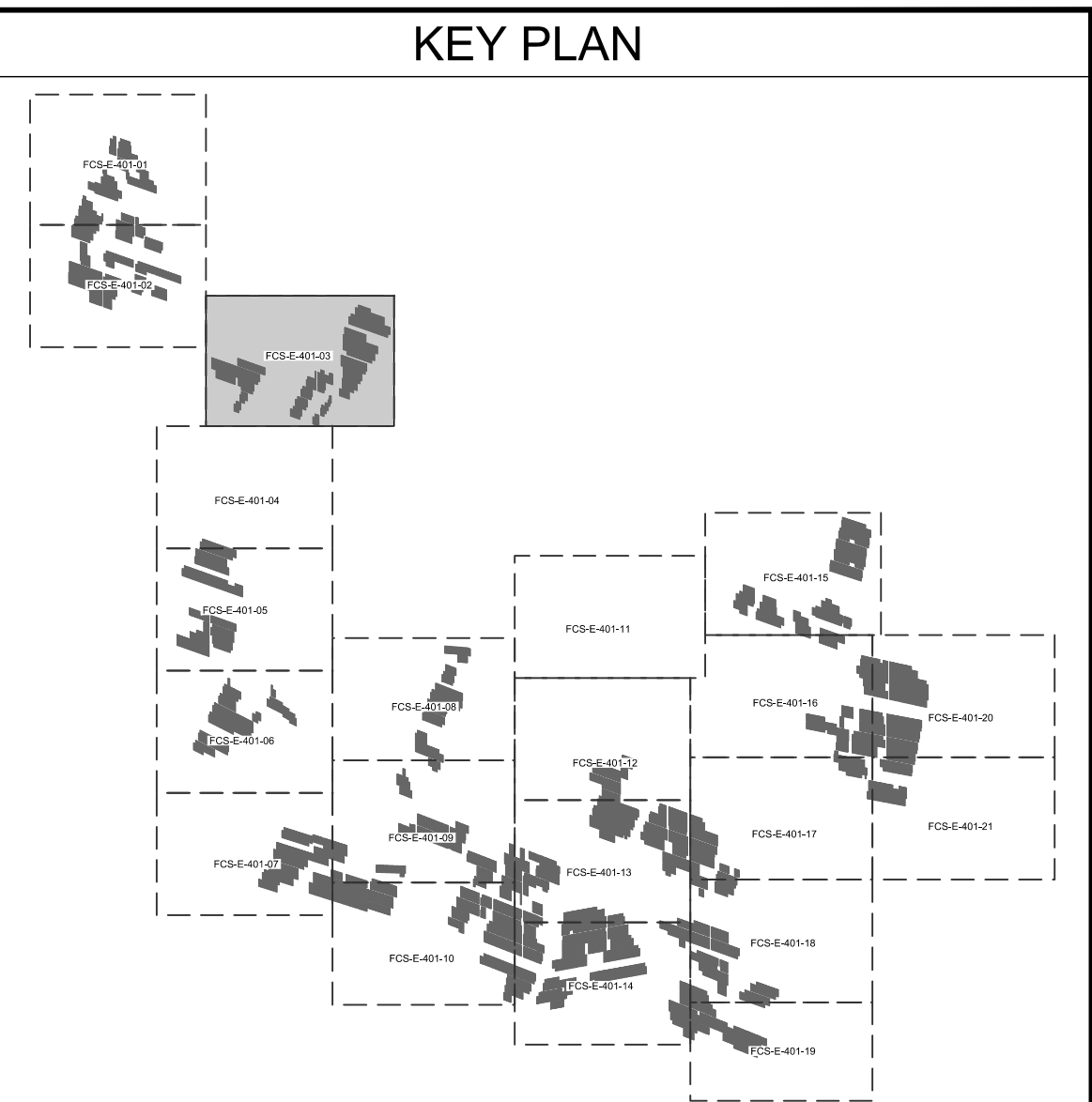
JMR	DESIGNED
JT	DRAWN
JMR	CHECKED
JTG	APPROVED
REVIEW 1	DATE: 07/26/24
REVIEW 2	SCALE: AS NOTED

FLAT CREEK SOLAR PROJECT
 CORDELO POWER LP
 ARRAY PLAN 2

ROOT/CANAJOHARIE NEW YORK

TRC FCS-E-401-02

REV: 4

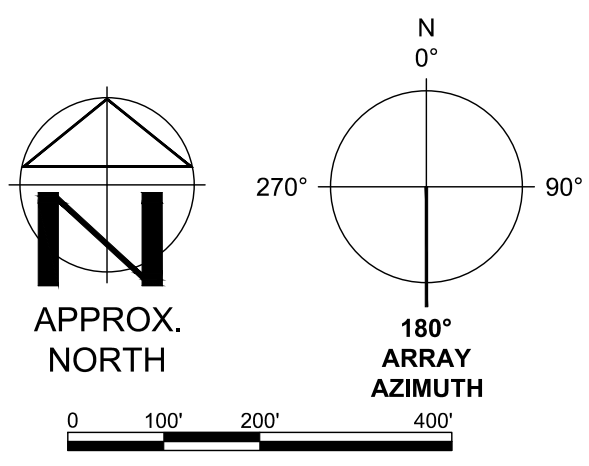


LEGEND

	WETLAND (ASSUMED USACE)
	WETLAND (NYDEC)
	WETLAND (LIKELY-ORES)
	SURFACE WATER (USACE)
	SURFACE WATER (ORES)
	AVOIDANCE AREAS
	STREAMS (ASSUMED USACE)
	SINGLE AXIS TRACKER
	INVERTER
	MV ROUTING
	UTILITY EASEMENT
	OVERHEAD UTILITY
	BORE PIT
	FENCE
	LANDSCAPE BUFFER

NOTES:
 1. NEW MV CIRCUITS CROSS CREEK AT AN ANGLE BECAUSE THEY HAVE TO CROSS TRANSMISSION EASEMENT PERPENDICULARLY.

PRELIMINARY
 NOT FOR CONSTRUCTION



TRC 3947 LENNANE DRIVE, SUITE 130 SACRAMENTO, CA 95834
CORDELIO POWER

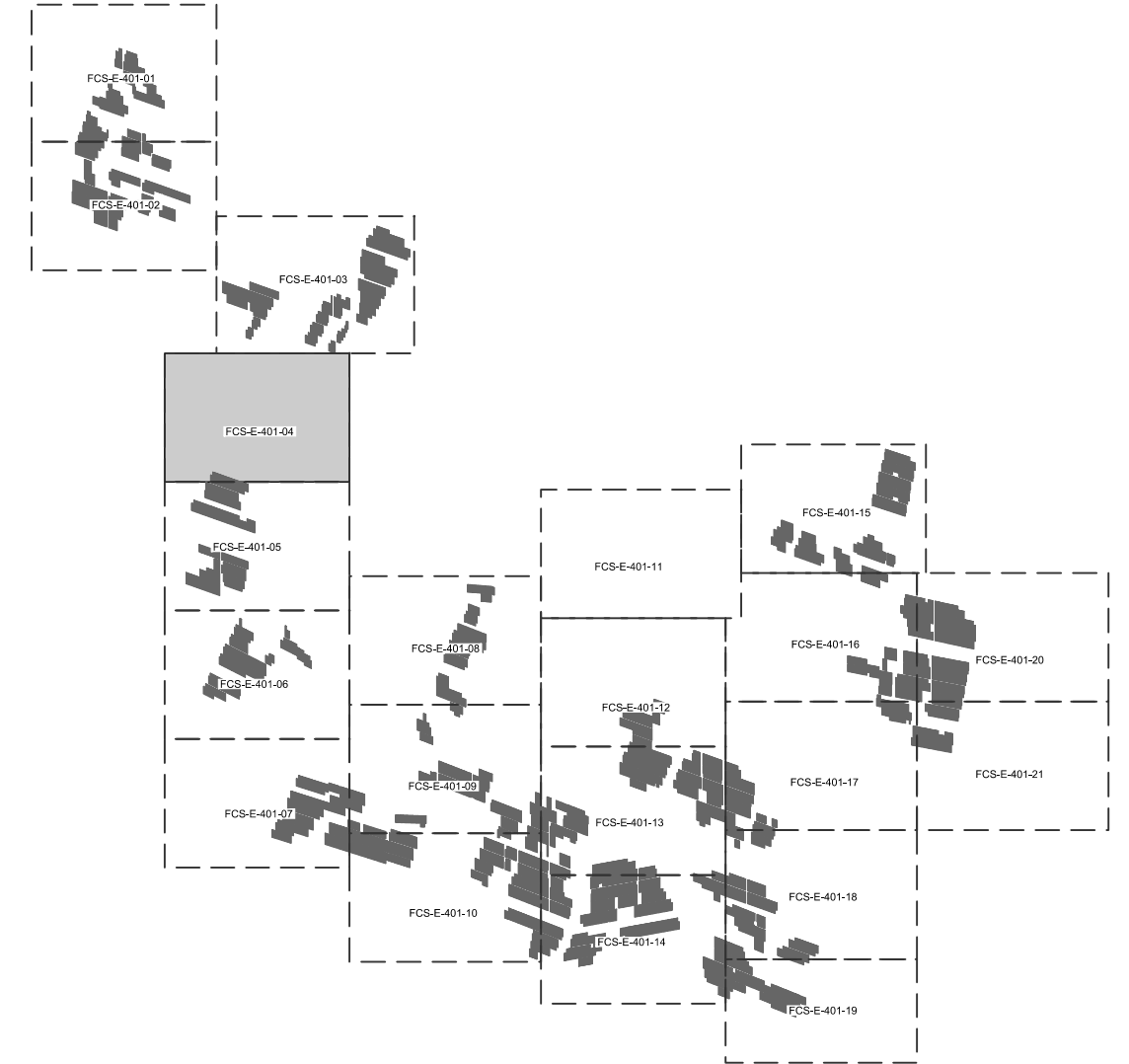
REV	DESCRIPTION	DATE	DES	CHK	APP
4	ISSUED FOR NYS ORES REVIEW	07/26/24	JMR	JMR	JTG
3	ISSUED FOR FINAL CLIENT REVIEW	06/25/24	JMR	JMR	JTG
2	ISSUED FOR PHASE 3 CLIENT REVIEW	06/07/24	JMR	JMR	JTG
1	ISSUED FOR PHASE 2 CLIENT REVIEW	04/12/24	JMR	JMR	JTG



JMR DESIGNED	FLAT CREEK SOLAR PROJECT CORDELIO POWER LP ARRAY PLAN 3	ROOT/CANAJOHARIE NEW YORK		FCS-E-401-03	REV. 4
JT DRAWN					
JMR CHECKED					
JTG APPROVED	DATE: 07/26/24 LIC. EXP.: 09-30-2026	DATE: 07/26/24 AS NOTED SCALE:			



KEY PLAN

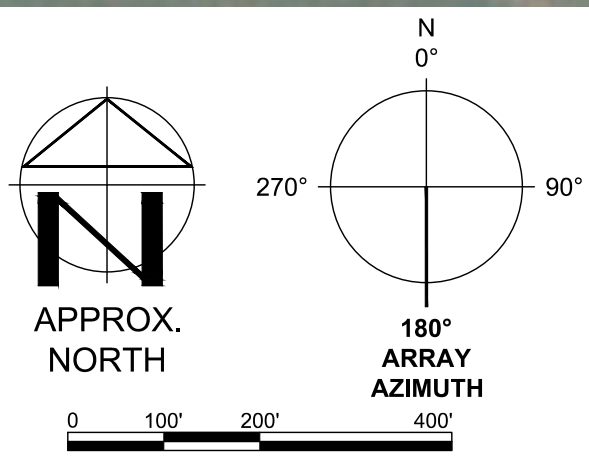


LEGEND

- WETLAND (ASSUMED USACE)
- WETLAND (NYDEC)
- WETLAND (LIKELY-ORES)
- SURFACE WATER (USACE)
- SURFACE WATER (ORES)
- AVOIDANCE AREAS
- STREAMS (ASSUMED USACE)
- SINGLE AXIS TRACKER
- INVERTER
- MV ROUTING
- UTILITY EASEMENT
- OHU
- BORE PIT
- FENCE
- LANDSCAPE BUFFER

NOTES:
 1. NEW MV CIRCUITS CROSS CREEK AT AN ANGLE BECAUSE THEY HAVE TO CROSS TRANSMISSION EASEMENT PERPENDICULARLY.

PRELIMINARY
NOT FOR CONSTRUCTION



TRC 3947 LENNANE DRIVE, SUITE 130 SACRAMENTO, CA 95834 **CORDELIO POWER**

PROJECT NO: 435979

REV	DESCRIPTION	DATE	DES	CHK	APP
4	ISSUED FOR NYS ORES REVIEW	07/26/24	JMR	JMR	JTG
3	ISSUED FOR FINAL CLIENT REVIEW	06/25/24	JMR	JMR	JTG
2	ISSUED FOR PHASE 3 CLIENT REVIEW	06/07/24	JMR	JMR	JTG
1	ISSUED FOR PHASE 2 CLIENT REVIEW	04/12/24	JMR	JMR	JTG

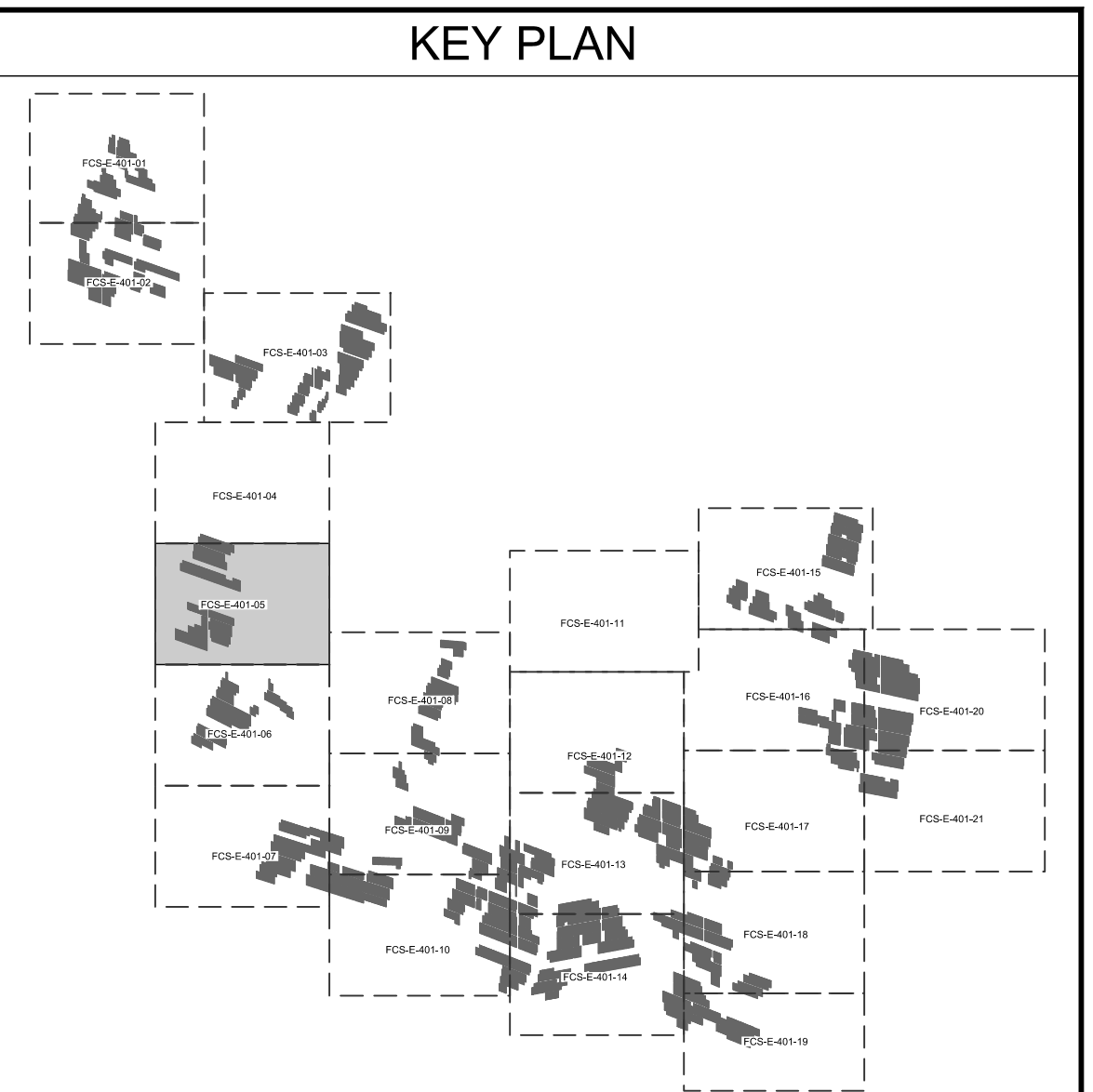
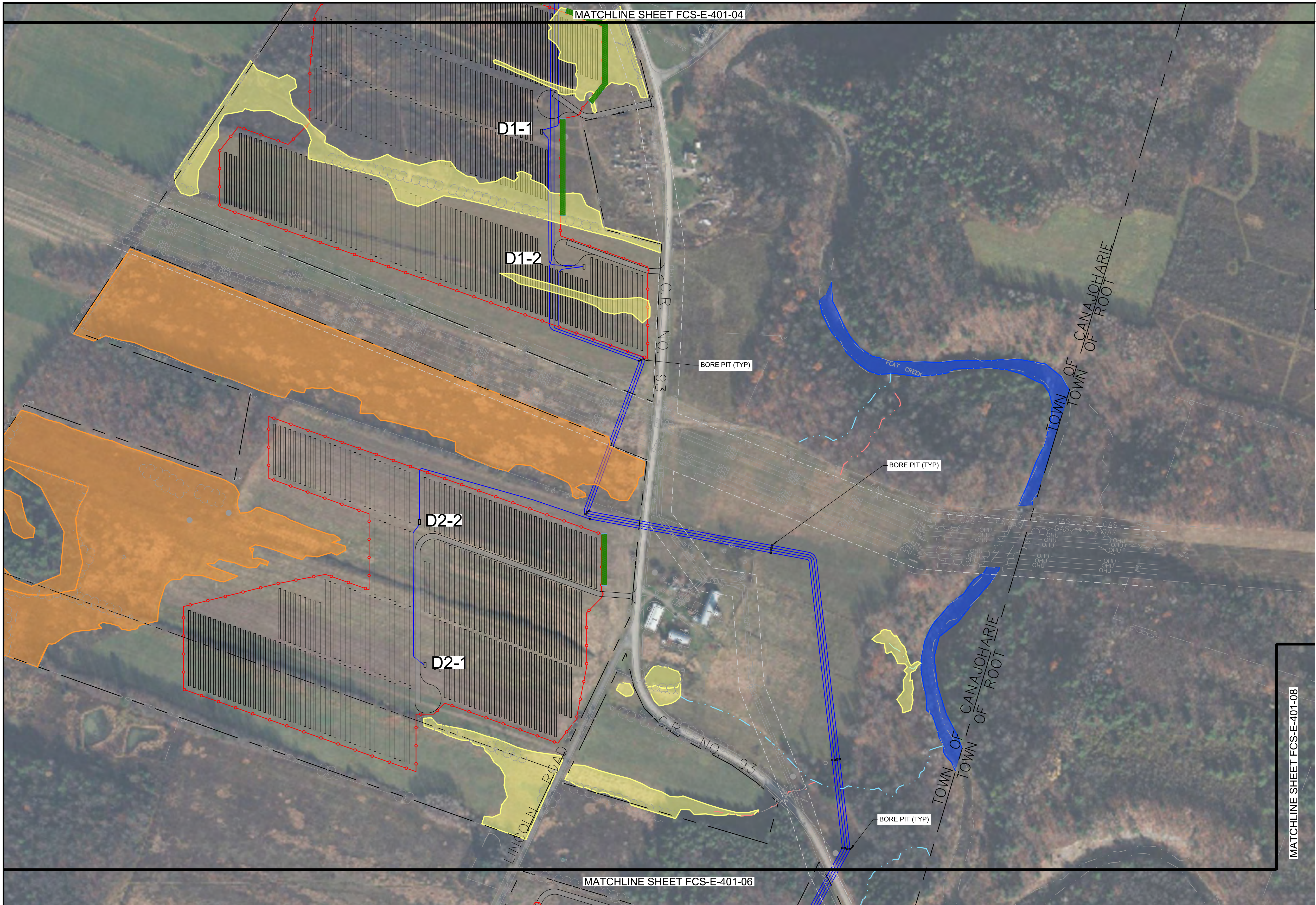


JMR	DESIGNED
JT	DRAWN
JMR	CHECKED
JTG	APPROVED
REVIEW 1	DATE: 07/26/24
REVIEW 2	AS NOTED

FLAT CREEK SOLAR PROJECT
CORDELIO POWER LP
ARRAY PLAN 4

ROOT/CANAJOHARIE NEW YORK

TRC FCS-E-401-04

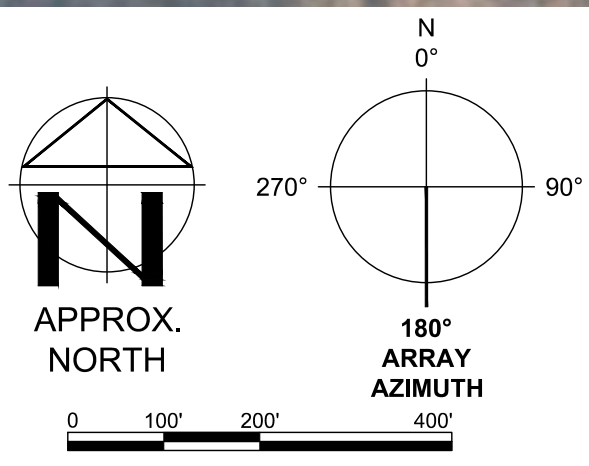


LEGEND

- WETLAND (ASSUMED USACE)
- WETLAND (NYDEC)
- WETLAND (LIKELY-ORES)
- SURFACE WATER (USACE)
- SURFACE WATER (ORES)
- AVOIDANCE AREAS
- STREAMS (ASSUMED USACE)
- SINGLE AXIS TRACKER
- INVERTER
- MV ROUTING
- UTILITY EASEMENT
- OVERHEAD UTILITY
- BORE PIT
- FENCE
- LANDSCAPE BUFFER

NOTES:
 1. NEW MV CIRCUITS CROSS CREEK AT AN ANGLE BECAUSE THEY HAVE TO CROSS TRANSMISSION EASEMENT PERPENDICULARLY.

PRELIMINARY
NOT FOR CONSTRUCTION



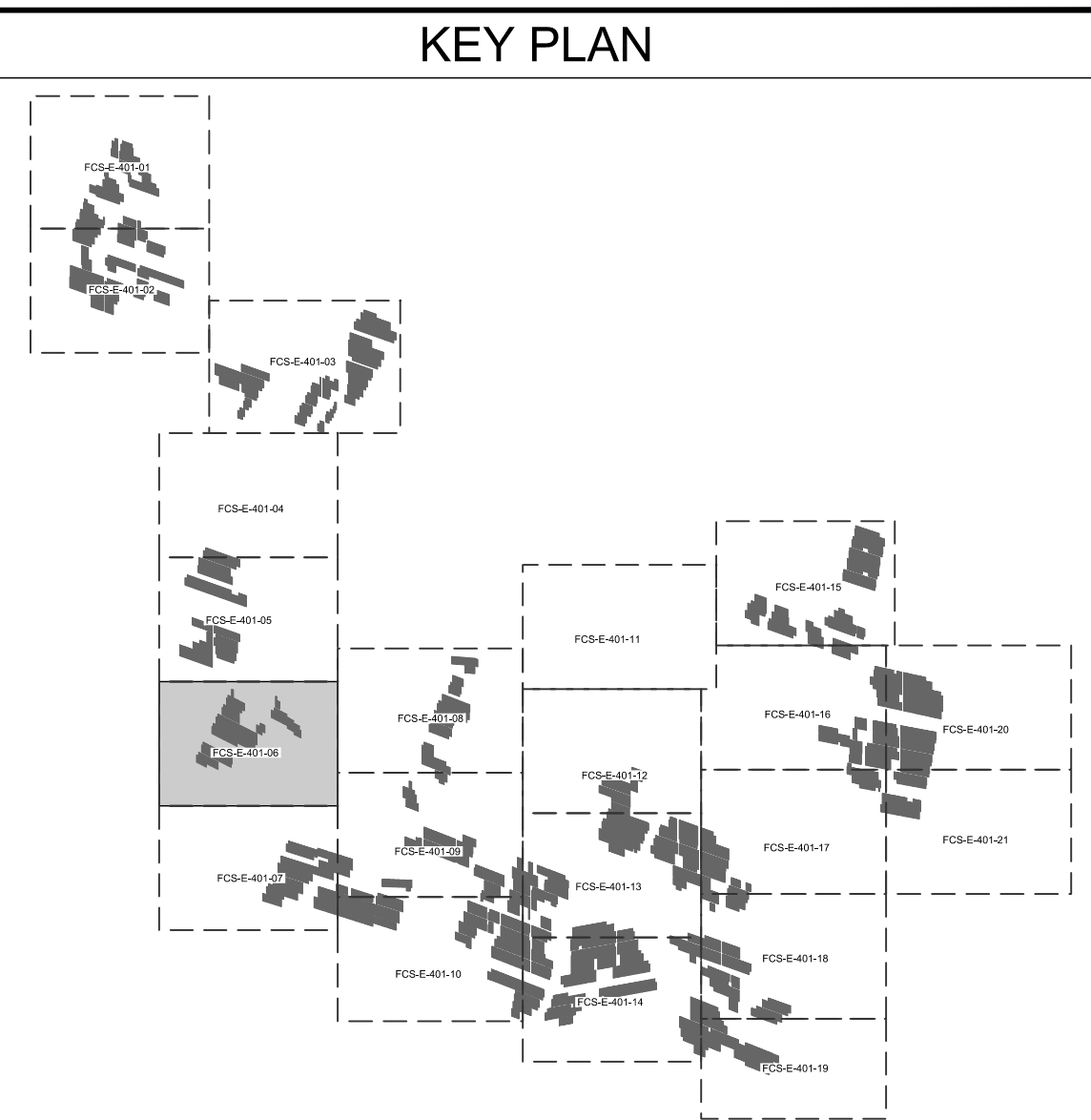
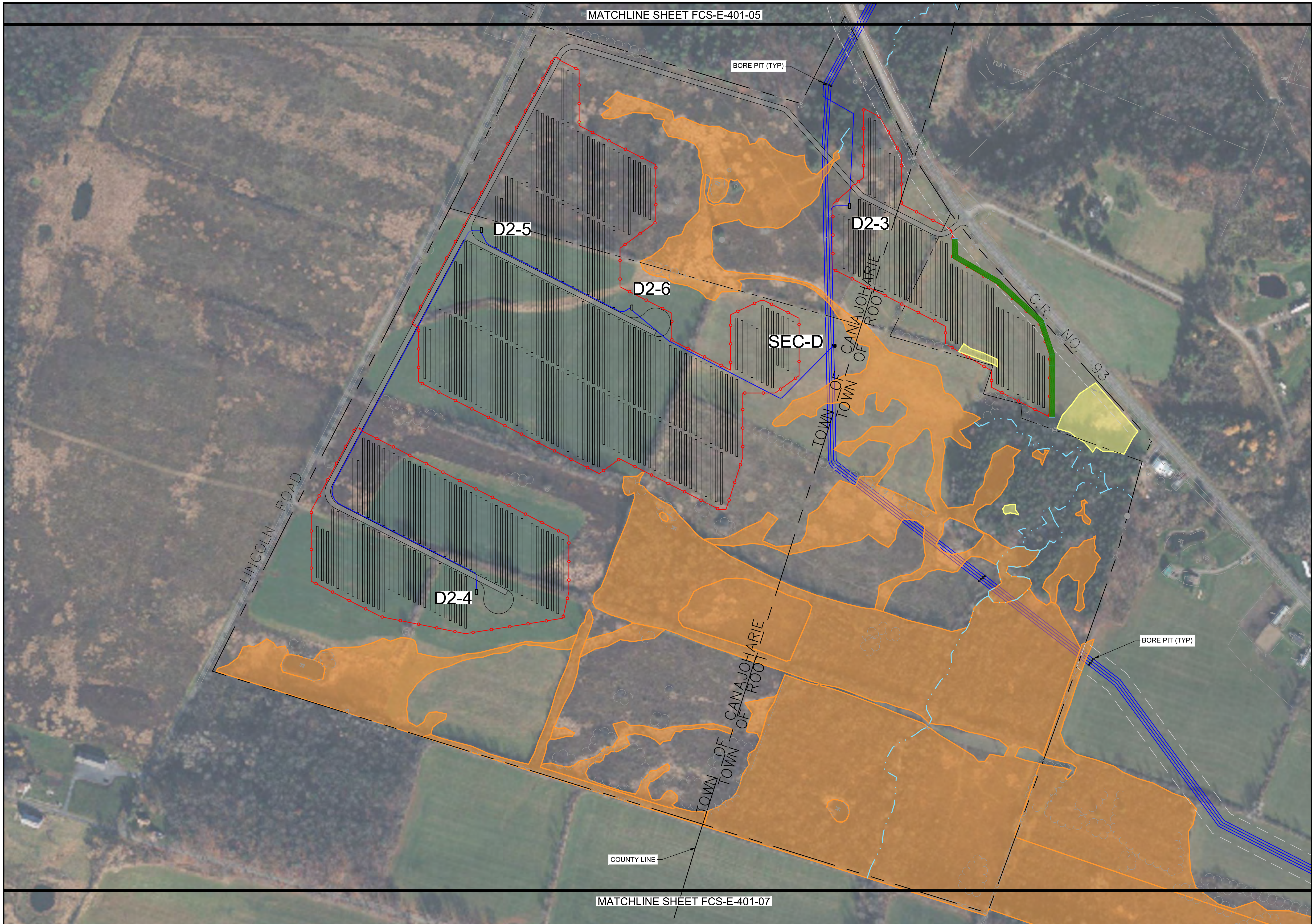
TRC 3947 LENNANE DRIVE, SUITE 130 SACRAMENTO, CA 95834 **CORDELIO POWER** PROJECT NO: 435979

REV	DESCRIPTION	DATE	DES	CHK	APP
4	ISSUED FOR NYS ORES REVIEW	07/26/24	JMR	JMR	JTG
3	ISSUED FOR FINAL CLIENT REVIEW	06/25/24	JMR	JMR	JTG
2	ISSUED FOR PHASE 3 CLIENT REVIEW	06/07/24	JMR	JMR	JTG
1	ISSUED FOR PHASE 2 CLIENT REVIEW	04/12/24	JMR	JMR	JTG



JMR DESIGNED	DATE: 07/26/24 AS NOTED SCALE	TRC	FCS-E-401-05	REV: 4
JT DRAWN				
JMR CHECKED				
JTG APPROVED	DATE: 07/26/24			
REVIEW 1				
REVIEW 2				

FLAT CREEK SOLAR PROJECT
 CORDELIO POWER LP
 ARRAY PLAN 5
 ROOT/CANAJOHARIE NEW YORK

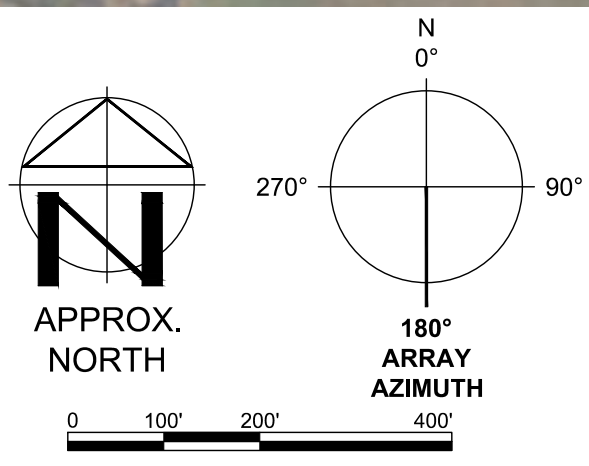


LEGEND

	WETLAND (ASSUMED USACE)
	WETLAND (NYDEC)
	WETLAND (LIKELY-ORES)
	SURFACE WATER (USACE)
	SURFACE WATER (ORES)
	AVOIDANCE AREAS
	STREAMS (ASSUMED USACE)
	SINGLE AXIS TRACKER
	INVERTER
	MV ROUTING
	UTILITY EASEMENT
	OVERHEAD UTILITY
	BORE PIT
	FENCE
	LANDSCAPE BUFFER

NOTES:
 1. NEW MV CIRCUITS CROSS CREEK AT AN ANGLE BECAUSE THEY HAVE TO CROSS TRANSMISSION EASEMENT PERPENDICULARLY.

PRELIMINARY
 NOT FOR CONSTRUCTION

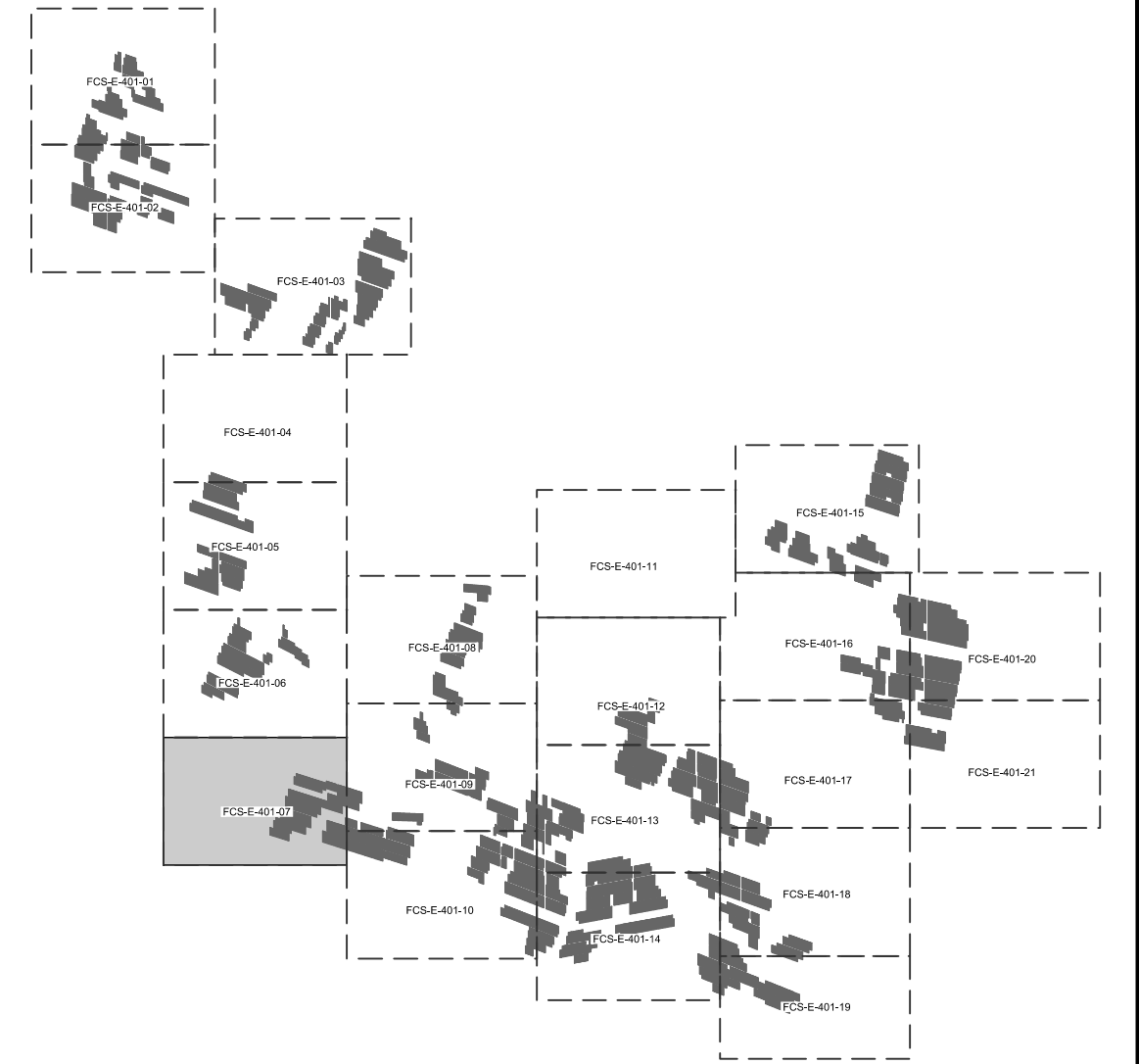


TRC 3947 LENNANE DRIVE, SUITE 130 **CORDELIO POWER**
 SACRAMENTO, CA 95834 PROJECT NO: 435979

REV	DESCRIPTION	DATE	DES	CHK	APP
4	ISSUED FOR NYS ORES REVIEW	07/26/24	JMR	JMR	JTG
3	ISSUED FOR FINAL CLIENT REVIEW	06/25/24	JMR	JMR	JTG
2	ISSUED FOR PHASE 3 CLIENT REVIEW	06/07/24	JMR	JMR	JTG
1	ISSUED FOR PHASE 2 CLIENT REVIEW	04/12/24	JMR	JMR	JTG



JMR DESIGNED	FLAT CREEK SOLAR PROJECT CORDELIO POWER LP ARRAY PLAN 6	ROOT/CANAJOHARIE	NEW YORK
JT DRAWN			
JMR CHECKED			
JTG APPROVED	DATE: 07/26/24	TRC	FCS-E-401-06
REVIEW 1	DATE		
REVIEW 2	AS NOTED		

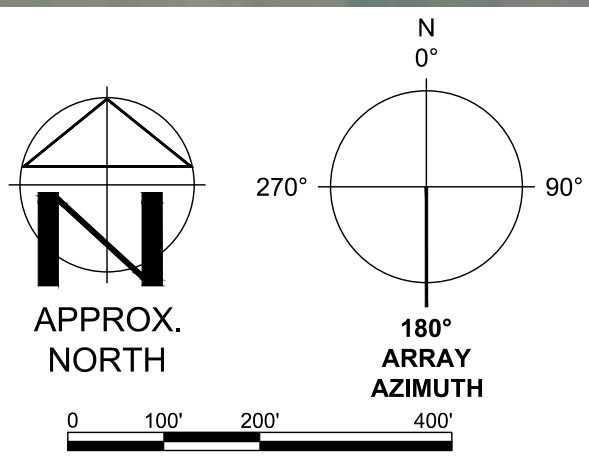


LEGEND

- WETLAND (ASSUMED USACE)
- WETLAND (NYDEC)
- WETLAND (LIKELY-ORES)
- SURFACE WATER (USACE)
- SURFACE WATER (ORES)
- AVOIDANCE AREAS
- STREAMS (ASSUMED USACE)
- SINGLE AXIS TRACKER
- INVERTER
- MV ROUTING
- UTILITY EASEMENT
- OVERHEAD UTILITY
- BORE PIT
- FENCE
- LANDSCAPE BUFFER

NOTES:
 1. NEW MV CIRCUITS CROSS CREEK AT AN ANGLE BECAUSE THEY HAVE TO CROSS TRANSMISSION EASEMENT PERPENDICULARLY.

PRELIMINARY
NOT FOR CONSTRUCTION

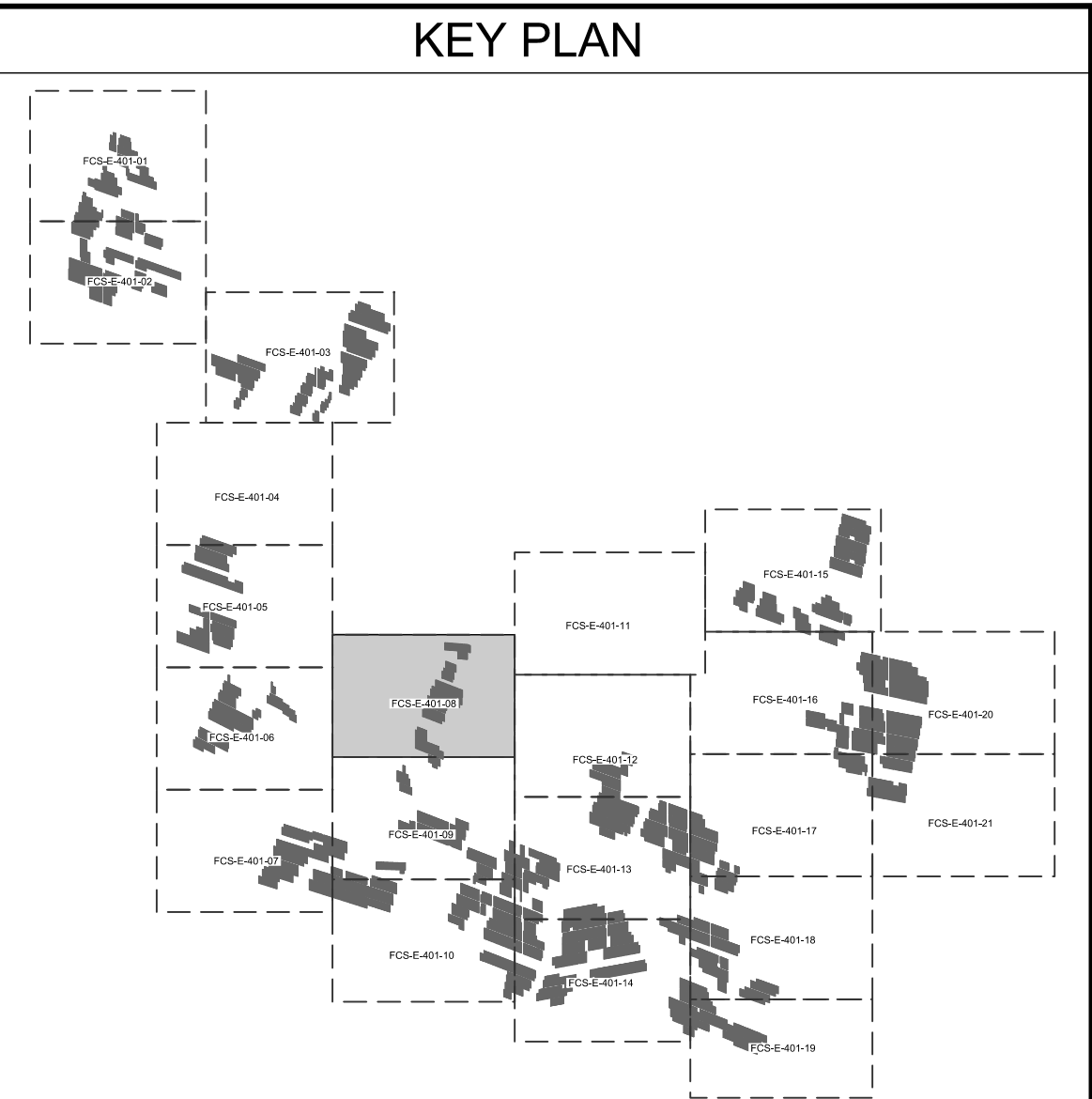
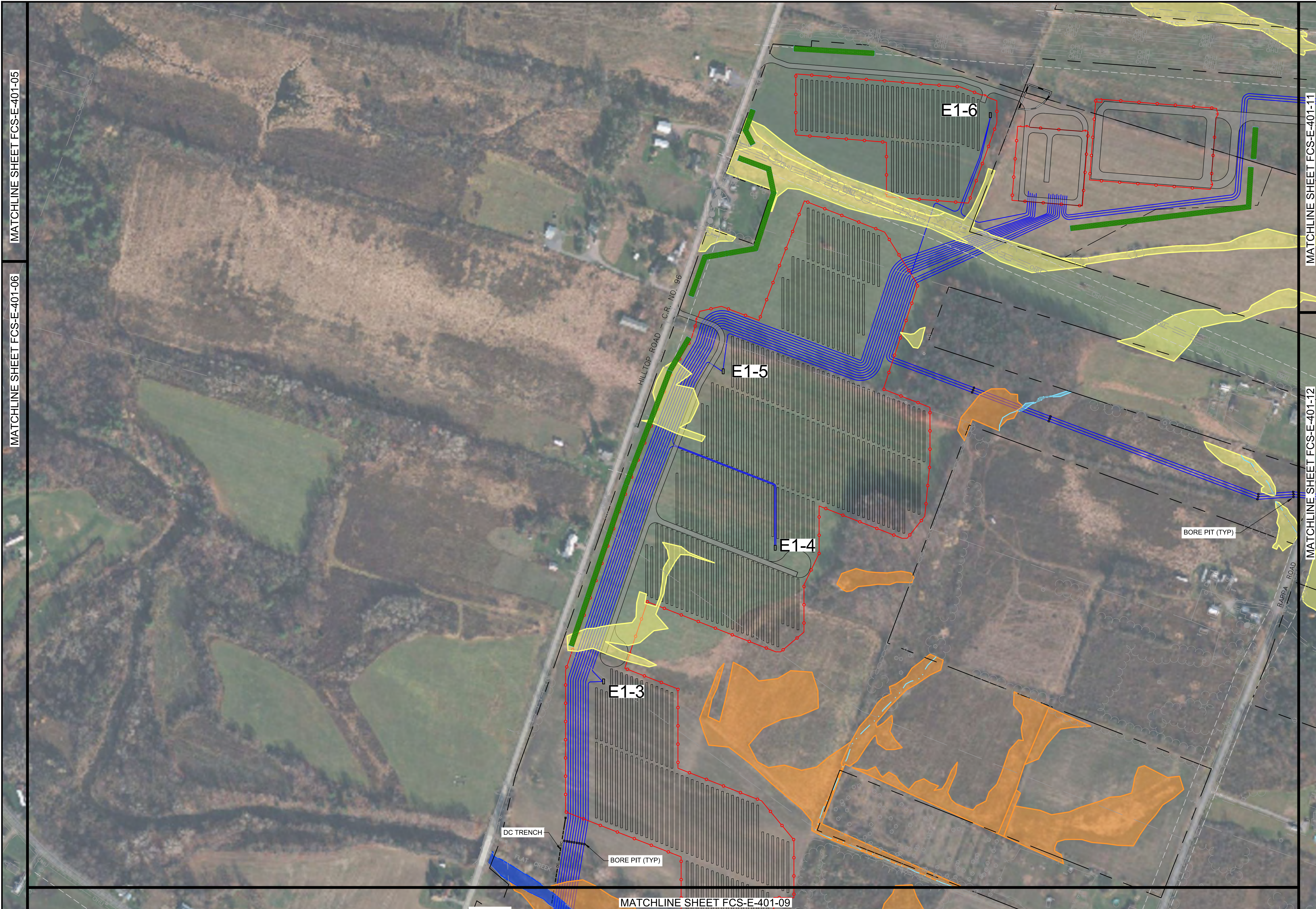


TRC 3947 LENNANE DRIVE, SUITE 130 **CORDELO POWER**
 SACRAMENTO, CA 95834 PROJECT NO: 435979

REFERENCE ITEMS	REV	DESCRIPTION	DATE	DES	CHK	APP
	4	ISSUED FOR NYS ORES REVIEW	07/26/24	JMR	JMR	JTG
	3	ISSUED FOR FINAL CLIENT REVIEW	06/25/24	JMR	JMR	JTG
	2	ISSUED FOR PHASE 3 CLIENT REVIEW	06/07/24	JMR	JMR	JTG
	1	ISSUED FOR PHASE 2 CLIENT REVIEW	04/12/24	JMR	JMR	JTG



JMR DESIGNED	FLAT CREEK SOLAR PROJECT		
JT DRAWN	CORDELO POWER LP		
JMR CHECKED	ARRAY PLAN 7		
JTG APPROVED	ROOT/CANAJOHARIE	NEW YORK	
REVIEW 1	07/26/24 DATE	TRC	FCS-E-401-07
REVIEW 2	AS NOTED SCALE		REV. 4

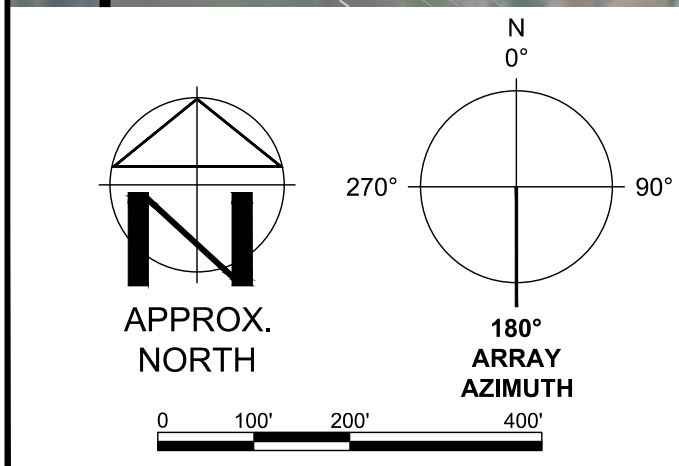


LEGEND

- WETLAND (ASSUMED USACE)
- WETLAND (NYDEC)
- WETLAND (LIKELY-ORES)
- SURFACE WATER (USACE)
- SURFACE WATER (ORES)
- AVOIDANCE AREAS
- STREAMS (ASSUMED USACE)
- SINGLE AXIS TRACKER
- INVERTER
- MV ROUTING
- UTILITY EASEMENT
- OHU
- BORE PIT
- FENCE
- LANDSCAPE BUFFER

NOTES:
 1. NEW MV CIRCUITS CROSS CREEK AT AN ANGLE BECAUSE THEY HAVE TO CROSS TRANSMISSION EASEMENT PERPENDICULARLY.

PRELIMINARY
NOT FOR CONSTRUCTION

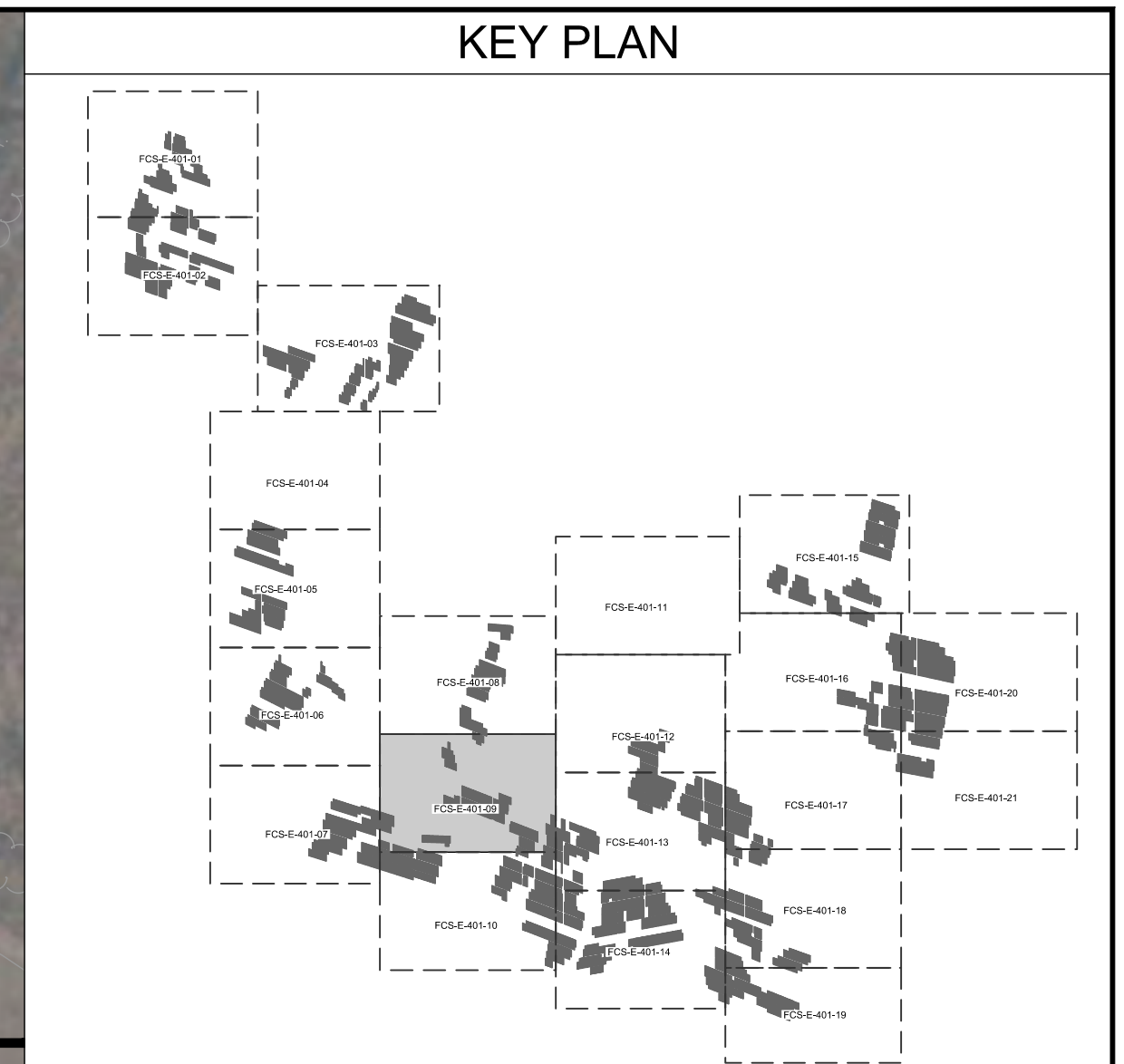
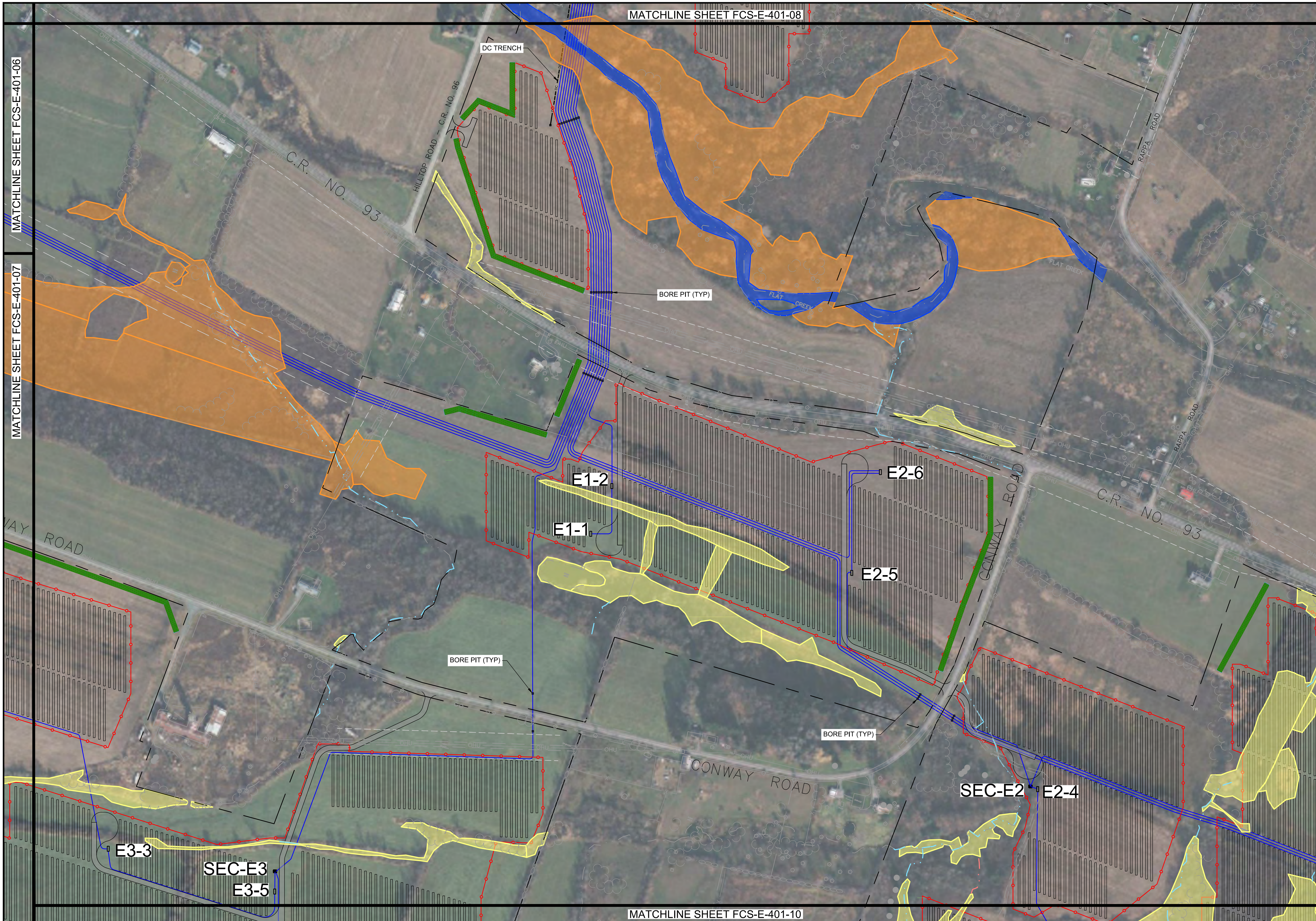


TRC 3947 LENNANE DRIVE, SUITE 130 **CORDELO POWER**
 SACRAMENTO, CA 95834 PROJECT NO: 435979

REV	DESCRIPTION	DATE	DES	CHK	APP
4	ISSUED FOR NYS ORES REVIEW	07/26/24	JMR	JMR	JTG
3	ISSUED FOR FINAL CLIENT REVIEW	06/25/24	JMR	JMR	JTG
2	ISSUED FOR PHASE 3 CLIENT REVIEW	06/07/24	JMR	JMR	JTG
1	ISSUED FOR PHASE 2 CLIENT REVIEW	04/12/24	JMR	JMR	JTG



JMR DESIGNED	FLAT CREEK SOLAR PROJECT CORDELO POWER LP ARRAY PLAN 8	ROOT/CANAJOHARIE NEW YORK		FCS-E-401-08	REV. 4
JT DRAWN					
JMR CHECKED					
JTG APPROVED	07/26/24 DATE				
REVIEW 1	AS NOTED SCALE				
REVIEW 2					

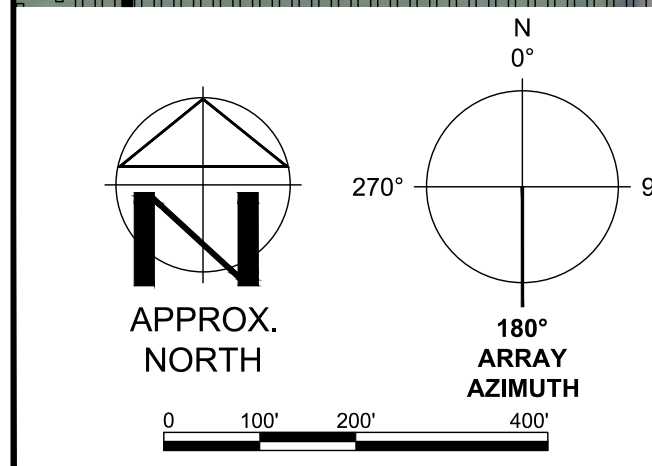


LEGEND

	WETLAND (ASSUMED USACE)
	WETLAND (NYDEC)
	WETLAND (LIKELY-ORES)
	SURFACE WATER (USACE)
	SURFACE WATER (ORES)
	AVOIDANCE AREAS
	STREAMS (ASSUMED USACE)
	SINGLE AXIS TRACKER
	INVERTER
	MV ROUTING
	UTILITY EASEMENT
	OVERHEAD UTILITY
	BORE PIT
	FENCE
	LANDSCAPE BUFFER

NOTES:
 1. NEW MV CIRCUITS CROSS CREEK AT AN ANGLE BECAUSE THEY HAVE TO CROSS TRANSMISSION EASEMENT PERPENDICULARLY.

PRELIMINARY
 NOT FOR CONSTRUCTION

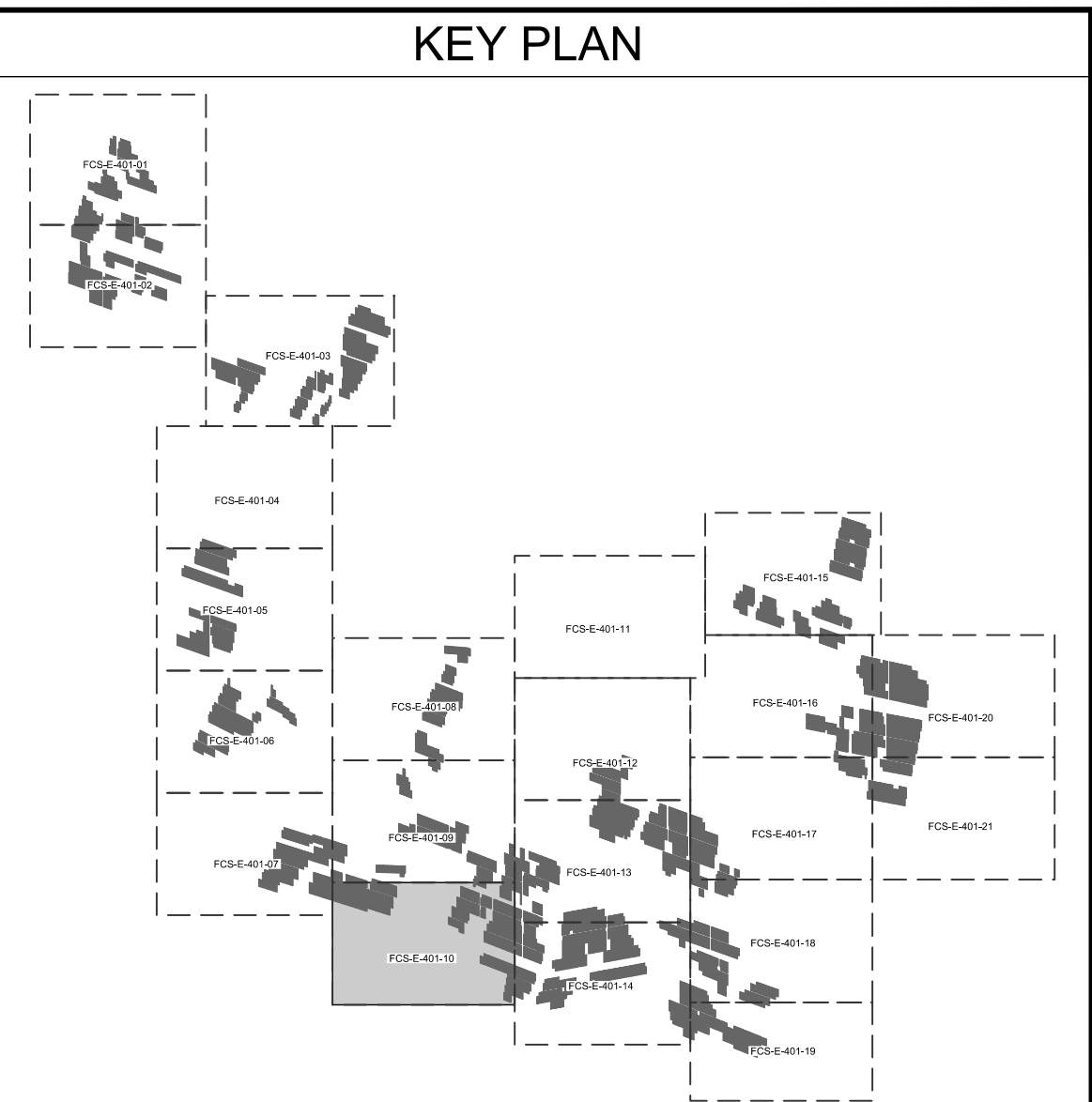
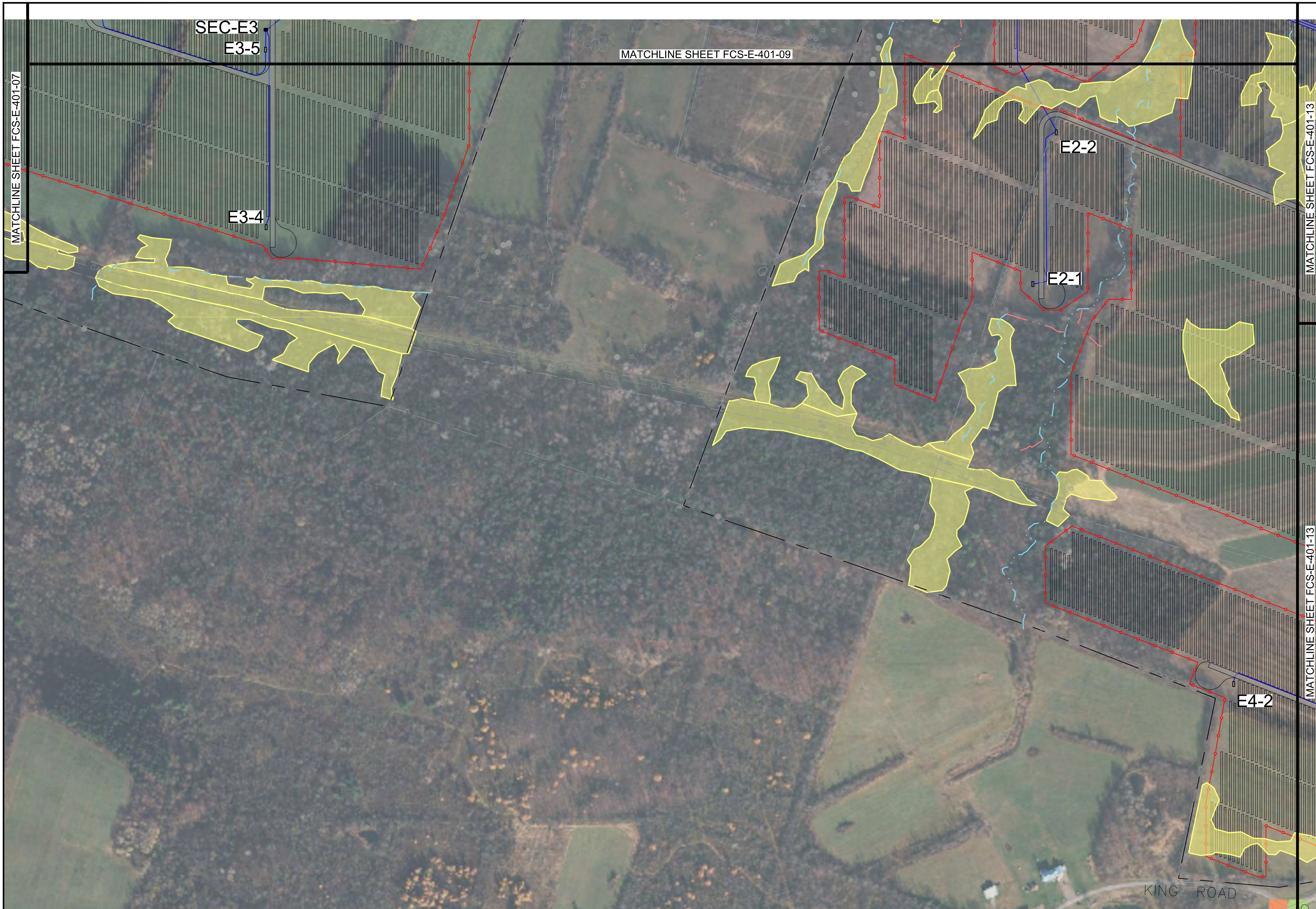


TRC 3947 LENNANE DRIVE, SUITE 130 SACRAMENTO, CA 95834
CORDELIO POWER PROJECT NO: 435979

REV	DESCRIPTION	DATE	DES	CHK	APP
4	ISSUED FOR NYS ORES REVIEW	07/26/24	JMR	JMR	JTG
3	ISSUED FOR FINAL CLIENT REVIEW	06/25/24	JMR	JMR	JTG
2	ISSUED FOR PHASE 3 CLIENT REVIEW	06/07/24	JMR	JMR	JTG
1	ISSUED FOR PHASE 2 CLIENT REVIEW	04/12/24	JMR	JMR	JTG



JMR DESIGNED	JT DRAWN	JMR CHECKED	JTG APPROVED	DATE: 07/26/24	SCALE: AS NOTED
FLAT CREEK SOLAR PROJECT CORDELIO POWER LP ARRAY PLAN 9				ROOT/CANAJOHARIE	NEW YORK
REVIEW 1	REVIEW 2			FCS-E-401-09	REV. 4

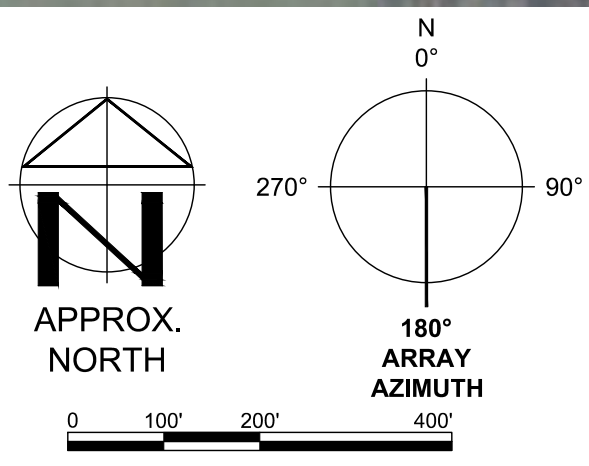


LEGEND

	WETLAND (ASSUMED USAGE)
	WETLAND (NYDEC)
	WETLAND (LIKELY-ORES)
	SURFACE WATER (USAGE)
	SURFACE WATER (ORES)
	AVOIDANCE AREAS
	STREAMS (ASSUMED USAGE)
	SINGLE AXIS TRACKER
	INVERTER
	MV ROUTING
	UTILITY EASEMENT
	OVERHEAD UTILITY
	BORE PIT
	FENCE
	LANDSCAPE BUFFER

NOTES:
 1. NEW MV CIRCUITS CROSS CREEK AT AN ANGLE BECAUSE THEY HAVE TO CROSS TRANSMISSION EASEMENT PERPENDICULARLY.

PRELIMINARY
 NOT FOR CONSTRUCTION

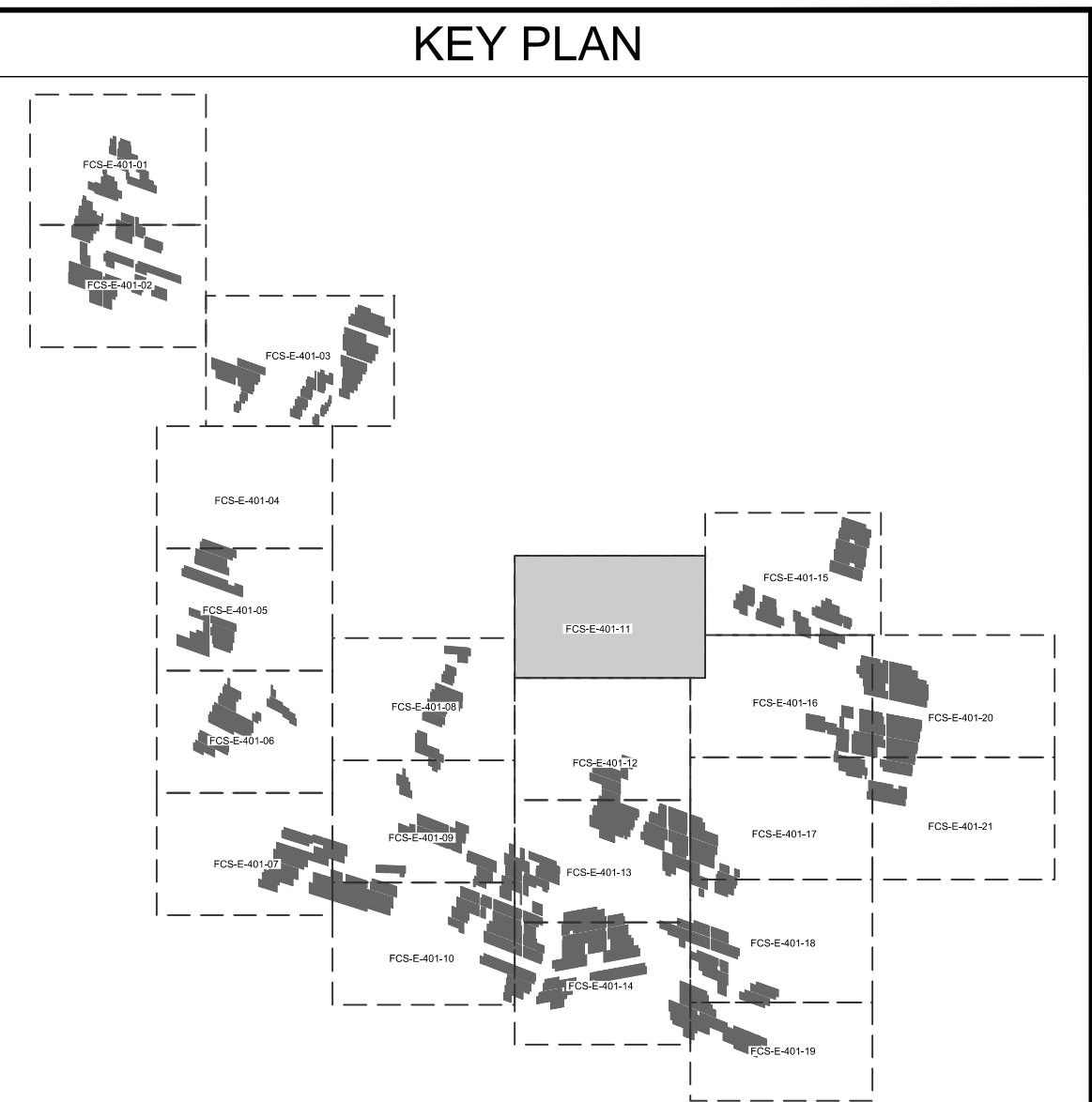


TRC 3947 LENNANE DRIVE, SUITE 130 SACRAMENTO, CA 95834
CORDELO POWER PROJECT NO: 435979

REV	DESCRIPTION	DATE	DES	CHK	APP
4	ISSUED FOR NYS ORES REVIEW	07/26/24	JMR	JMR	JTG
3	ISSUED FOR FINAL CLIENT REVIEW	06/25/24	JMR	JMR	JTG
2	ISSUED FOR PHASE 3 CLIENT REVIEW	06/07/24	JMR	JMR	JTG
1	ISSUED FOR PHASE 2 CLIENT REVIEW	04/12/24	JMR	JMR	JTG



JMR DESIGNED	JT DRAWN	JMR CHECKED	JTG APPROVED	DATE: 07/26/24	SCALE: AS NOTED
FLAT CREEK SOLAR PROJECT CORDELO POWER LP ARRAY PLAN 10				ROOT/CANAJOHARIE	NEW YORK
REVIEW 1	REVIEW 2	TRC	FCS-E-401-10	REV: 4	

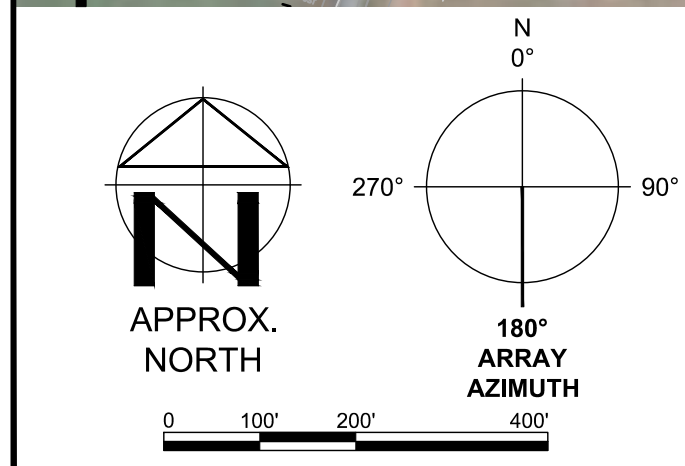


LEGEND

	WETLAND (ASSUMED USACE)
	WETLAND (NYDEC)
	WETLAND (LIKELY-ORES)
	SURFACE WATER (USACE)
	SURFACE WATER (ORES)
	AVOIDANCE AREAS
	STREAMS (ASSUMED USACE)
	SINGLE AXIS TRACKER
	INVERTER
	MV ROUTING
	UTILITY EASEMENT
	OVERHEAD UTILITY
	BORE PIT
	FENCE
	LANDSCAPE BUFFER

NOTES:
 1. NEW MV CIRCUITS CROSS CREEK AT AN ANGLE BECAUSE THEY HAVE TO CROSS TRANSMISSION EASEMENT PERPENDICULARLY.

PRELIMINARY
 NOT FOR CONSTRUCTION

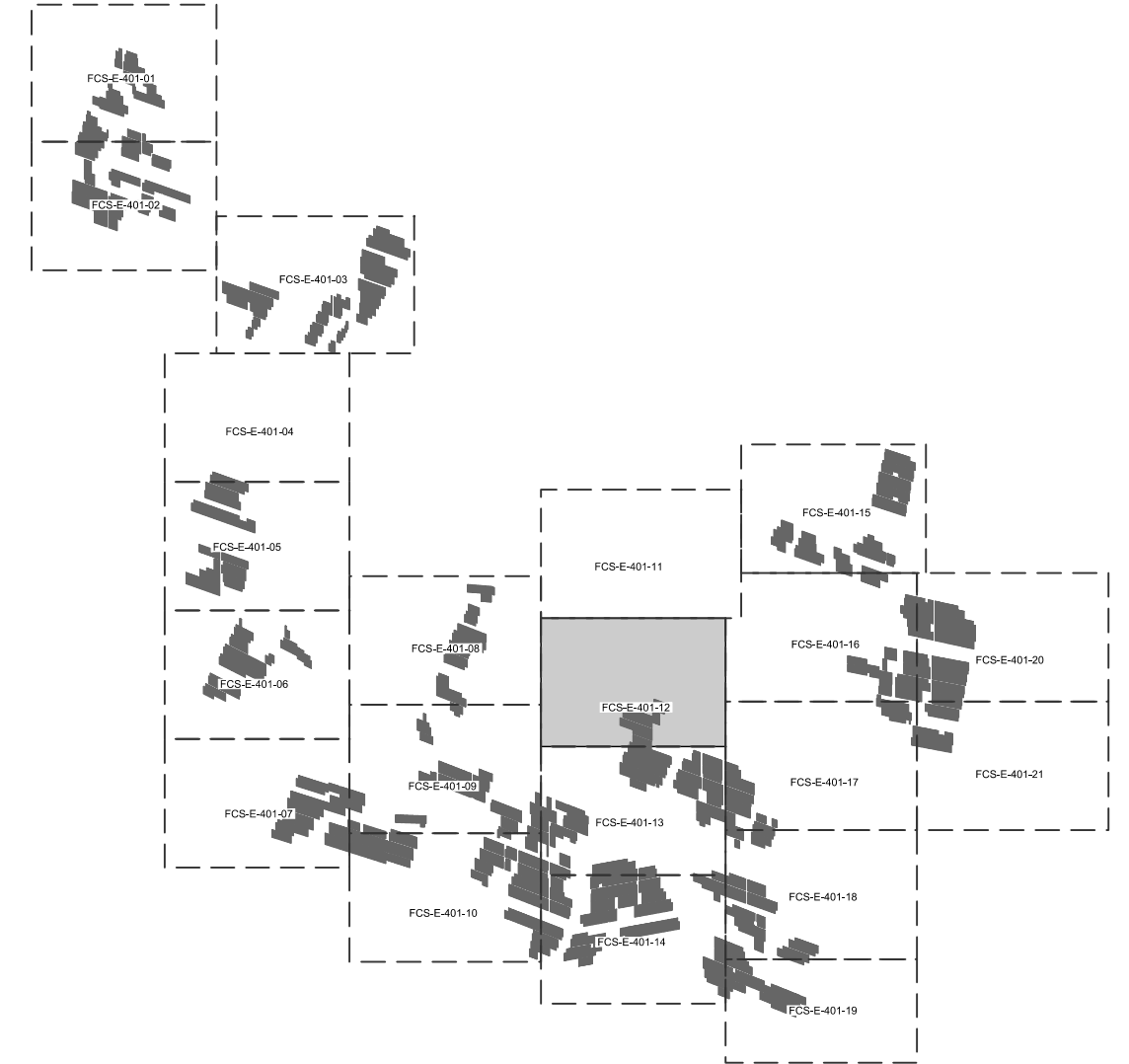


TRC 3947 LENNANE DRIVE, SUITE 130 **CORDELO POWER**
 SACRAMENTO, CA 95834 PROJECT NO: 435979

REV	DESCRIPTION	DATE	DES	CHK	APP
4	ISSUED FOR NYS ORES REVIEW	07/26/24	JMR	JMR	JTG
3	ISSUED FOR FINAL CLIENT REVIEW	06/25/24	JMR	JMR	JTG
2	ISSUED FOR PHASE 3 CLIENT REVIEW	06/07/24	JMR	JMR	JTG
1	ISSUED FOR PHASE 2 CLIENT REVIEW	04/12/24	JMR	JMR	JTG



JMR DESIGNED	FLAT CREEK SOLAR PROJECT CORDELO POWER LP ARRAY PLAN 11	ROOT/CANAJOHARIE	NEW YORK		
JT DRAWN					
JMR CHECKED					
JTG APPROVED	REVIEW 1	07/26/24 DATE	TRC	FCS-E-401-11	REV. 4
JTG APPROVED	REVIEW 2	AS NOTED SCALE			



LEGEND

- WETLAND (ASSUMED USACE)
- WETLAND (NYDEC)
- WETLAND (LIKELY-ORES)
- SURFACE WATER (USACE)
- SURFACE WATER (ORES)
- AVOIDANCE AREAS
- STREAMS (ASSUMED USACE)
- SINGLE AXIS TRACKER
- INVERTER
- MV ROUTING
- UTILITY EASEMENT
- OVERHEAD UTILITY
- BORE PIT
- FENCE
- LANDSCAPE BUFFER

NOTES:
 1. NEW MV CIRCUITS CROSS CREEK AT AN ANGLE BECAUSE THEY HAVE TO CROSS TRANSMISSION EASEMENT PERPENDICULARLY.



MATCHLINE SHEET FCS-E-401-08

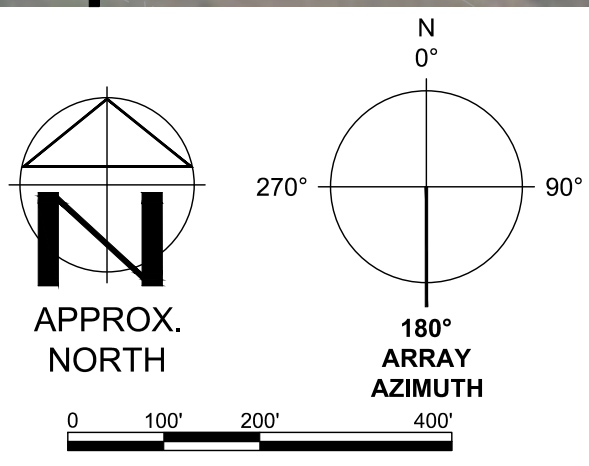
MATCHLINE SHEET FCS-E-401-09

MATCHLINE SHEET FCS-E-401-16

MATCHLINE SHEET FCS-E-401-17

MATCHLINE SHEET FCS-E-401-13

PRELIMINARY
NOT FOR CONSTRUCTION



TRC 3947 LENNANE DRIVE, SUITE 130 SACRAMENTO, CA 95834 **CORDELO POWER**

PROJECT NO: 435979

REV	DESCRIPTION	DATE	DES	CHK	APP
4	ISSUED FOR NYS ORES REVIEW	07/26/24	JMR	JMR	JTG
3	ISSUED FOR FINAL CLIENT REVIEW	06/25/24	JMR	JMR	JTG
2	ISSUED FOR PHASE 3 CLIENT REVIEW	06/07/24	JMR	JMR	JTG
1	ISSUED FOR PHASE 2 CLIENT REVIEW	04/12/24	JMR	JMR	JTG

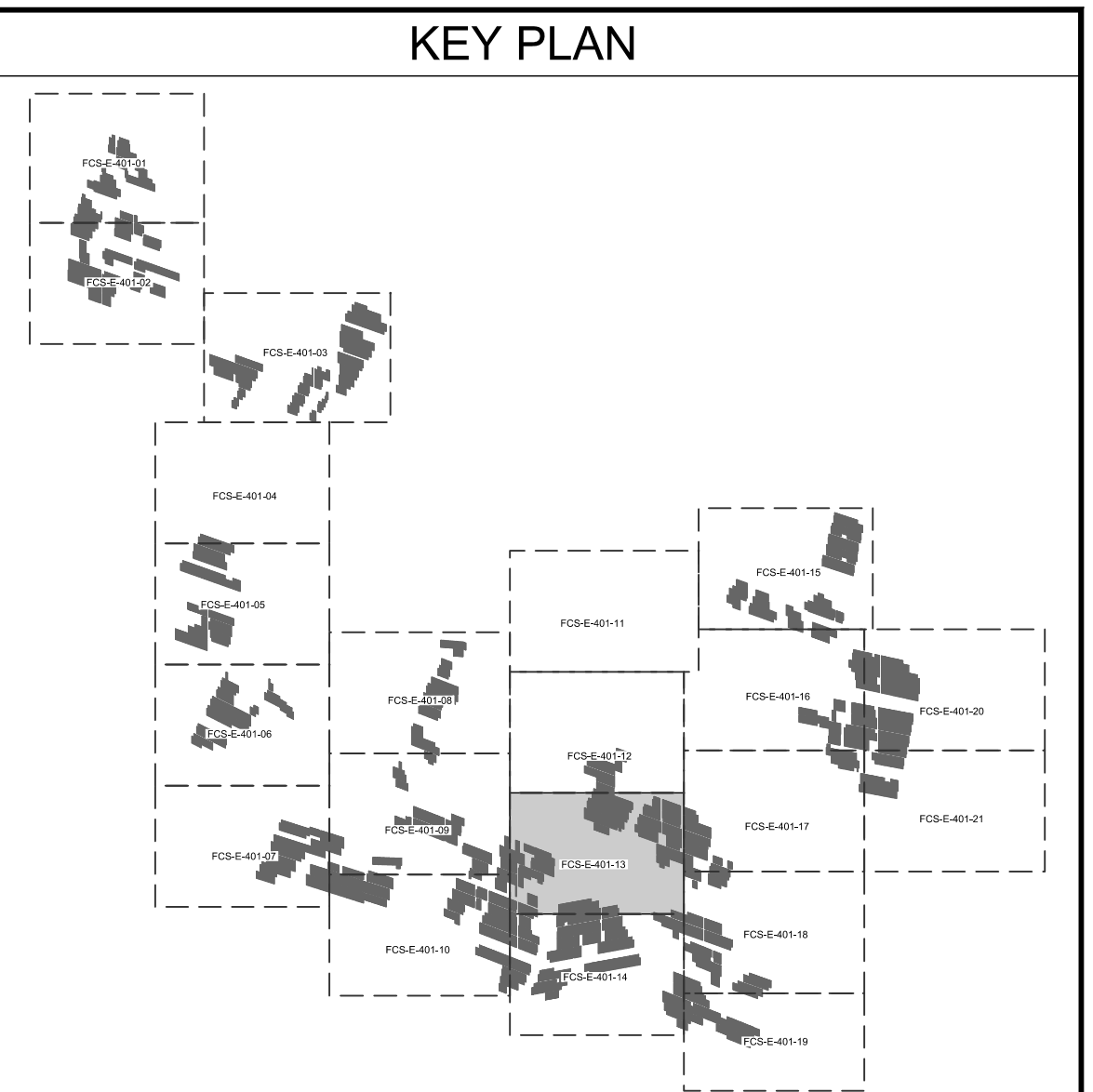
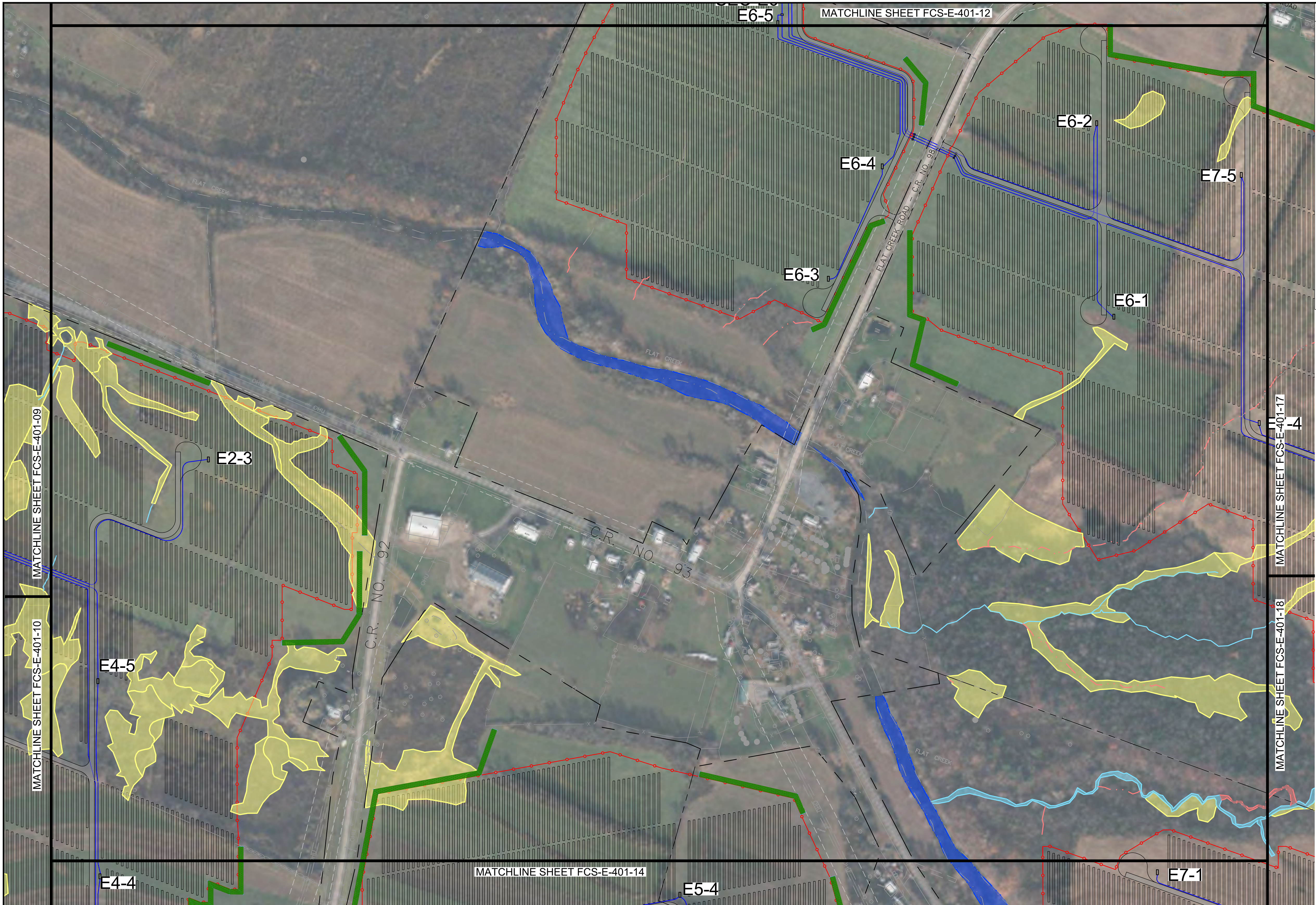


JMR	DESIGNED
JT	DRAWN
JMR	CHECKED
JTG	APPROVED
REVIEW 1	DATE: 07/26/24
REVIEW 2	AS NOTED

FLAT CREEK SOLAR PROJECT
CORDELO POWER LP
ARRAY PLAN 12

ROOT/CANAJOHARIE NEW YORK

TRC FCS-E-401-12

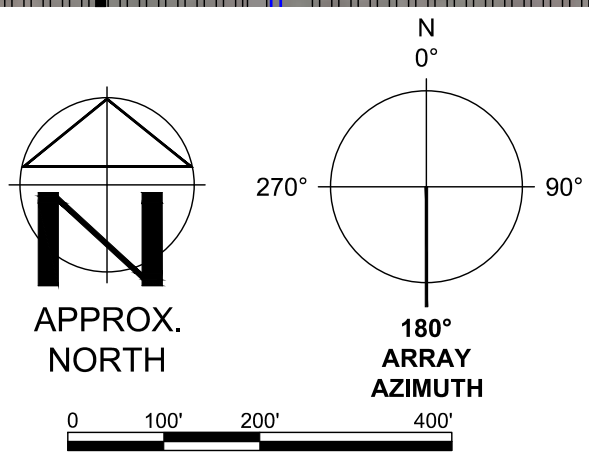


LEGEND

- WETLAND (ASSUMED USACE)
- WETLAND (NYDEC)
- WETLAND (LIKELY-ORES)
- SURFACE WATER (USACE)
- SURFACE WATER (ORES)
- AVOIDANCE AREAS
- STREAMS (ASSUMED USACE)
- SINGLE AXIS TRACKER
- INVERTER
- MV ROUTING
- UTILITY EASEMENT
- OVERHEAD UTILITY
- BORE PIT
- FENCE
- LANDSCAPE BUFFER

NOTES:
 1. NEW MV CIRCUITS CROSS CREEK AT AN ANGLE BECAUSE THEY HAVE TO CROSS TRANSMISSION EASEMENT PERPENDICULARLY.

PRELIMINARY
NOT FOR CONSTRUCTION



TRC 3947 LENNANE DRIVE, SUITE 130 **CORDELO POWER**
 SACRAMENTO, CA 95834 PROJECT NO: 435979

REV	DESCRIPTION	DATE	DES	CHK	APP
4	ISSUED FOR NYS ORES REVIEW	07/26/24	JMR	JMR	JTG
3	ISSUED FOR FINAL CLIENT REVIEW	06/25/24	JMR	JMR	JTG
2	ISSUED FOR PHASE 3 CLIENT REVIEW	06/07/24	JMR	JMR	JTG
1	ISSUED FOR PHASE 2 CLIENT REVIEW	04/12/24	JMR	JMR	JTG



JMR DESIGNED	FLAT CREEK SOLAR PROJECT CORDELO POWER LP ARRAY PLAN 13	ROOT/CANAJOHARIE NEW YORK	DATE: 07/26/24 DATE AS NOTED SCALE:		FCS-E-401-13	REV. 4
JT DRAWN						
JMR CHECKED						
JTG APPROVED						