



- NOTES:**
1. INSTALLATION SHALL COMPLY WITH OESC 2012, 25TH EDITION.
  2. CONTRACTOR SHALL EXERCISE/IMPLEMENT ROAD USER AGREEMENT WITH CONCERNED AUTHORITIES OF TOWNSHIP/COUNTY/MUNICIPALITIES FOR THE RIGHT TO USE CERTAIN PORTION OF ROAD ALLOWANCES.
  3. CONTRACTOR SHALL REPORT ANY OBSTRUCTIONS AFFECTING THEIR PERFORMANCE BEFORE PROCEEDING WITH ANY WORK.
  4. CONTRACTOR SHALL VERIFY LOCATIONS OF ALL EXISTING UTILITIES BEFORE ANY EXCAVATION/BORING/DRILLING IS STARTED. CONTRACTOR MUST NOTIFY ONTARIO ONE CALL AND UTILITY OWNERS AT LEAST 5 DAYS PRIOR TO COMMENCING ANY WORK. FOR MORE INFORMATION, VISIT WWW.ON1CALL.COM OR CALL 1-800-400-2255.
  5. CONTRACTOR SHALL ENSURE THAT HDD CROSSINGS UNDER ROAD/HWY/RAILWAY MAINTAIN THE SAME SEPARATION ESTABLISHED BETWEEN TRENCHES SO AS TO MAINTAIN REQUIRED CABLE AMPACITY.
  6. CONTRACTOR SHALL VERIFY AND FOLLOW INSTRUCTIONS OF ENCROACHMENT PERMIT/APPROVAL FROM THE MINISTRY OF TRANSPORTATION-ONTARIO (MTO) BEFORE INSTALLATION OF UNDERGROUND CABLES NEAR HIGHWAYS. (E.G. 402 HWY)
  7. CONTRACTOR SHALL USE HDPE DR11 RATED CONDUITS FOR ROAD, HIGHWAY, UTILITIES, VEGETATION, AND PROTECTED AREA CROSSINGS FOR INSTALLATION VIA HORIZONTAL DIRECTIONAL DRILLING (HDD). CONTRACTOR SHALL USE STEEL CASINGS FOR RAILWAY CROSSINGS VIA HDD. CONTRACTORS SHALL INSTALL FIBER OPTIC CABLES IN A SEPARATE HDPE/PVC SCH. 40 CONDUITS FOR ALL CROSSINGS.
  8. THE CONTRACTOR MUST FIELD CHECK AND VERIFY INSTALLATION DETAIL SUCH AS DIMENSION, ELEVATION, SITE CONDITION ETC. AND REPORT ANY DESCRIPANCIES TO THE SITE MANAGER (ENGINEER) PRIOR TO COMMENCING ANY WORK/FABRICATION.
  9. CONTRACTOR SHALL REFER TO DRAWINGS: 12039-NEC-D10-534 AND D10-536 FOR ALL CROSSINGS.
  10. ALL CABLE PENETRATING BUILDING WALLS & FLOORS SHALL BE COATED WITH FM APPROVED FIRE STOP COATING SUCH AS FLAMEASTIC 77 OR APPROVED EQUAL FOR 3 FEET ON EACH SIDE OF PENETRATION.
  11. DRAWINGS BASED ON CALLON DIETZ SITE PLAN DRAWINGS.
  12. ALL DRAWING REFERENCES PREFIXED WITH 12039-NEC-

- LEGEND:**
- 34.5kV COLLECTION IN LAMBTON COUNTY ROW
  - 34.5kV COLLECTION OTHER
  - DD-XXX  
D#XX DRAWING REFERENCE PREFIXED BY 12039-NEC-
  - D#XX DETAIL REFERENCE, SECTION #
  - MVJB = MEDIUM VOLTAGE JUNCTION BOX
  - MES = METAL ENCLOSED SWITCHGEAR

| REV. | DATE     | DESCRIPTION                      | CHK'D | APP'D |
|------|----------|----------------------------------|-------|-------|
| D    | 05/03/13 | ISSUED FOR INFORMATION ONLY      | MW    | DP    |
| C    | 28/11/13 | REVISED LAYOUT AND MES LOCATIONS | MW    | KP    |
| B    | 10/09/13 | REVISED LAYOUT AND MES LOCATIONS |       | DP    |
| A    | 10/05/13 | ISSUED FOR REVIEW AND COMMENT    | MW    | KP    |

**One Line**  
Engineering & Construction

Tel 905-688-6857 Fax 905-688-6926  
www.onelineen.com

**NEXTERA ENERGY**  
CANADA

CLIENT: NEXTERA ENERGY CANADA

TITLE: JERICO 34.5kV COLLECTOR SYSTEM  
WTG 57-59, 70, & 112  
UNDERGROUND CABLE LAYOUT

|                        |                        |                               |           |
|------------------------|------------------------|-------------------------------|-----------|
| DRAWN BY:<br>M.FREITAS | CHECKED BY:<br>M.WASAY | APPROVED BY:<br>K.PATEL       | SHEET No. |
| SCALE:<br>NTS          | DATE:<br>12/12/12      | DWG. No.<br>12039-NEC-D10-519 | REV.<br>D |

**PRELIMINARY  
NOT FOR  
CONSTRUCTION**

PROPRIETARY INFORMATION:  
THIS DRAWING IS THE INTELLECTUAL PROPERTY OF ONE LINE ENGINEERING INC. AND IS NOT TO BE LOANED OR REPRODUCED IN ANY WAY WITHOUT THE EXPRESS PERMISSION OF ONE LINE ENGINEERING INC.





CONTINUE ON DRAWING D10-516

**NOTES:**

1. INSTALLATION SHALL COMPLY WITH OESC 2012, 25TH EDITION.
2. CONTRACTOR SHALL EXERCISE/IMPLEMENT ROAD USER AGREEMENT WITH CONCERNED AUTHORITIES OF TOWNSHIP/COUNTY/MUNICIPALITIES FOR THE RIGHT TO USE CERTAIN PORTION OF ROAD ALLOWANCES.
3. CONTRACTOR SHALL REPORT ANY OBSTRUCTIONS AFFECTING THEIR PERFORMANCE BEFORE PROCEEDING WITH ANY WORK.
4. CONTRACTOR SHALL VERIFY LOCATIONS OF ALL EXISTING UTILITIES BEFORE ANY EXCAVATION/BORING/DRILLING IS STARTED. CONTRACTOR MUST NOTIFY ONTARIO ONE CALL AND UTILITY OWNERS AT LEAST 5 DAYS PRIOR TO COMMENCING ANY WORK. FOR MORE INFORMATION, VISIT WWW.ON1CALL.COM OR CALL 1-800-400-2255.
5. CONTRACTOR SHALL ENSURE THAT HDD CROSSINGS UNDER ROAD/HWY/RAILWAY MAINTAIN THE SAME SEPARATION ESTABLISHED BETWEEN TRENCHES SO AS TO MAINTAIN REQUIRED CABLE AMPACITY.
6. CONTRACTOR SHALL VERIFY AND FOLLOW INSTRUCTIONS OF ENCROACHMENT PERMIT/APPROVAL FROM THE MINISTRY OF TRANSPORTATION-ONTARIO (MTO) BEFORE INSTALLATION OF UNDERGROUND CABLES NEAR HIGHWAYS. (E.G. 402 HWY)
7. CONTRACTOR SHALL USE HDPE DR11 RATED CONDUITS FOR ROAD, HIGHWAY, UTILITIES, VEGETATION, AND PROTECTED AREA CROSSINGS FOR INSTALLATION VIA HORIZONTAL DIRECTIONAL DRILLING (HDD). CONTRACTOR SHALL USE STEEL CASINGS FOR RAILWAY CROSSINGS VIA HDD. CONTRACTORS SHALL INSTALL FIBER OPTIC CABLES IN A SEPARATE HDPE/PVC SCH. 40 CONDUITS FOR ALL CROSSINGS.
8. THE CONTRACTOR MUST FIELD CHECK AND VERIFY INSTALLATION DETAIL SUCH AS DIMENSION, ELEVATION, SITE CONDITION ETC. AND REPORT ANY DISCREPANCIES TO THE SITE MANAGER (ENGINEER) PRIOR TO COMMENCING ANY WORK/FABRICATION.
9. CONTRACTOR SHALL REFER TO DRAWINGS: 12039-NEC-D10-534 AND D10-536 FOR ALL CROSSINGS.
10. ALL CABLE PENETRATING BUILDING WALLS & FLOORS SHALL BE COATED WITH FM APPROVED FIRE STOP COATING SUCH AS FLAMEASTIC 77 OR APPROVED EQUAL FOR 3 FEET ON EACH SIDE OF PENETRATION.
11. DRAWINGS BASED ON CALLON DIETZ SITE PLAN DRAWINGS.
12. ALL DRAWING REFERENCES PREFIXED WITH 12039-NEC-

**LEGEND:**

- 34.5kV COLLECTION IN LAMBTON COUNTY ROW
- 34.5kV COLLECTION OTHER
- DD-XXX  
D#.XX DRAWING REFERENCE PREFIXED BY 12039-NEC-
- D#.XX DETAIL REFERENCE, SECTION #
- MVJB = MEDIUM VOLTAGE JUNCTION BOX
- MES = METAL ENCLOSED SWITCHGEAR

| REV. | DATE     | DESCRIPTION                      | CHK'D | APP'D |
|------|----------|----------------------------------|-------|-------|
| D    | 05/03/13 | ISSUED FOR INFORMATION ONLY      | MW    | DP    |
| C    | 28/11/13 | REVISED LAYOUT AND MES LOCATIONS | MW    | KP    |
| B    | 10/09/13 | REVISED LAYOUT AND MES LOCATIONS |       | DP    |
| A    | 10/05/13 | ISSUED FOR REVIEW AND COMMENT    | MW    | KP    |

REVISIONS

**OneLine**  
Engineering & Construction Services  
Tel: 905-688-6857 Fax: 905-688-6926  
www.onelineen.com

**NEXTERA ENERGY**  
CANADA

CLIENT: NEXTERA ENERGY CANADA

TITLE: JERICO 34.5kV COLLECTOR SYSTEM  
WTG 71,72, 83-85  
UNDERGROUND CABLE LAYOUT

**PRELIMINARY  
NOT FOR  
CONSTRUCTION**

PROPRIETARY INFORMATION:  
THIS DRAWING IS THE INTELLECTUAL PROPERTY OF ONELINE ENGINEERING INC. AND IS NOT TO BE LOANED OR REPRODUCED IN ANY WAY WITHOUT THE EXPRESS PERMISSION OF ONELINE ENGINEERING INC.

|                        |                        |                               |           |
|------------------------|------------------------|-------------------------------|-----------|
| DRAWN BY:<br>M.FREITAS | CHECKED BY:<br>M.WASAY | APPROVED BY:<br>K.PATEL       | SHEET No. |
| SCALE:<br>NTS          | DATE:<br>12/12/12      | DWG. No.<br>12039-NEC-D10-520 | REV.<br>D |





CONTINUE ON DRAWING D10-517

PETTICOAT LINE

CR 12 — TOWNSEND LINE

WARWICK VILLAGE ROAD

CONTINUE ON DRAWING D10-525

**NOTES:**

1. INSTALLATION SHALL COMPLY WITH OESC 2012, 25TH EDITION.
2. CONTRACTOR SHALL EXERCISE/IMPLEMENT ROAD USER AGREEMENT WITH CONCERNED AUTHORITIES OF TOWNSHIP/COUNTY/MUNICIPALITIES FOR THE RIGHT TO USE CERTAIN PORTION OF ROAD ALLOWANCES.
3. CONTRACTOR SHALL REPORT ANY OBSTRUCTIONS AFFECTING THEIR PERFORMANCE BEFORE PROCEEDING WITH ANY WORK.
4. CONTRACTOR SHALL VERIFY LOCATIONS OF ALL EXISTING UTILITIES BEFORE ANY EXCAVATION/BORING/DRILLING IS STARTED. CONTRACTOR MUST NOTIFY ONTARIO ONE CALL AND UTILITY OWNERS AT LEAST 5 DAYS PRIOR TO COMMENCING ANY WORK. FOR MORE INFORMATION, VISIT WWW.ON1CALL.COM OR CALL 1-800-400-2255.
5. CONTRACTOR SHALL ENSURE THAT HDD CROSSINGS UNDER ROAD/HWY/RAILWAY MAINTAIN THE SAME SEPARATION ESTABLISHED BETWEEN TRENCHES SO AS TO MAINTAIN REQUIRED CABLE AMPACITY.
6. CONTRACTOR SHALL VERIFY AND FOLLOW INSTRUCTIONS OF ENCROACHMENT PERMIT/APPROVAL FROM THE MINISTRY OF TRANSPORTATION-ONTARIO (MTO) BEFORE INSTALLATION OF UNDERGROUND CABLES NEAR HIGHWAYS. (E.G. 402 HWY)
7. CONTRACTOR SHALL USE HDPE DR11 RATED CONDUITS FOR ROAD, HIGHWAY, UTILITIES, VEGETATION, AND PROTECTED AREA CROSSINGS FOR INSTALLATION VIA HORIZONTAL DIRECTIONAL DRILLING (HDD). CONTRACTOR SHALL USE STEEL CASINGS FOR RAILWAY CROSSINGS VIA HDD. CONTRACTORS SHALL INSTALL FIBER OPTIC CABLES IN A SEPARATE HDPE/PVC SCH. 40 CONDUITS FOR ALL CROSSINGS.
8. THE CONTRACTOR MUST FIELD CHECK AND VERIFY INSTALLATION DETAIL SUCH AS DIMENSION, ELEVATION, SITE CONDITION ETC. AND REPORT ANY DISCREPANCIES TO THE SITE MANAGER (ENGINEER) PRIOR TO COMMENCING ANY WORK/FABRICATION.
9. CONTRACTOR SHALL REFER TO DRAWINGS: 12039-NEC-D10-534 AND D10-536 FOR ALL CROSSINGS.
10. ALL CABLE PENETRATING BUILDING WALLS & FLOORS SHALL BE COATED WITH FM APPROVED FIRE STOP COATING SUCH AS FLAMEASTIC 77 OR APPROVED EQUAL FOR 3 FEET ON EACH SIDE OF PENETRATION.
11. DRAWINGS BASED ON CALLON DIETZ SITE PLAN DRAWINGS.
12. ALL DRAWING REFERENCES PREFIXED WITH 12039-NEC-

**LEGEND:**

- 34.5kV COLLECTION IN LAMBTON COUNTY ROW
- 34.5kV COLLECTION OTHER
- DD-XXX  
D#XX DRAWING REFERENCE PREFIXED BY 12039-NEC-
- D#XX DETAIL REFERENCE, SECTION #
- MVJB = MEDIUM VOLTAGE JUNCTION BOX
- MES = METAL ENCLOSED SWITCHGEAR

| REV. | DATE     | DESCRIPTION                      | CHK'D | APP'D |
|------|----------|----------------------------------|-------|-------|
| D    | 05/03/13 | ISSUED FOR INFORMATION ONLY      | MW    | DP    |
| C    | 28/11/13 | REVISED LAYOUT AND MES LOCATIONS | MW    | KP    |
| B    | 10/09/13 | REVISED LAYOUT AND MES LOCATIONS |       | DP    |
| A    | 10/05/13 | ISSUED FOR REVIEW AND COMMENT    | MW    | KP    |

**OneLine**  
Engineering • Consulting • Services • Global

Tel 905-688-6857 Fax 905-688-6926  
www.onelineen.com

**NEXTERA ENERGY**  
CANADA

CLIENT: NEXTERA ENERGY CANADA

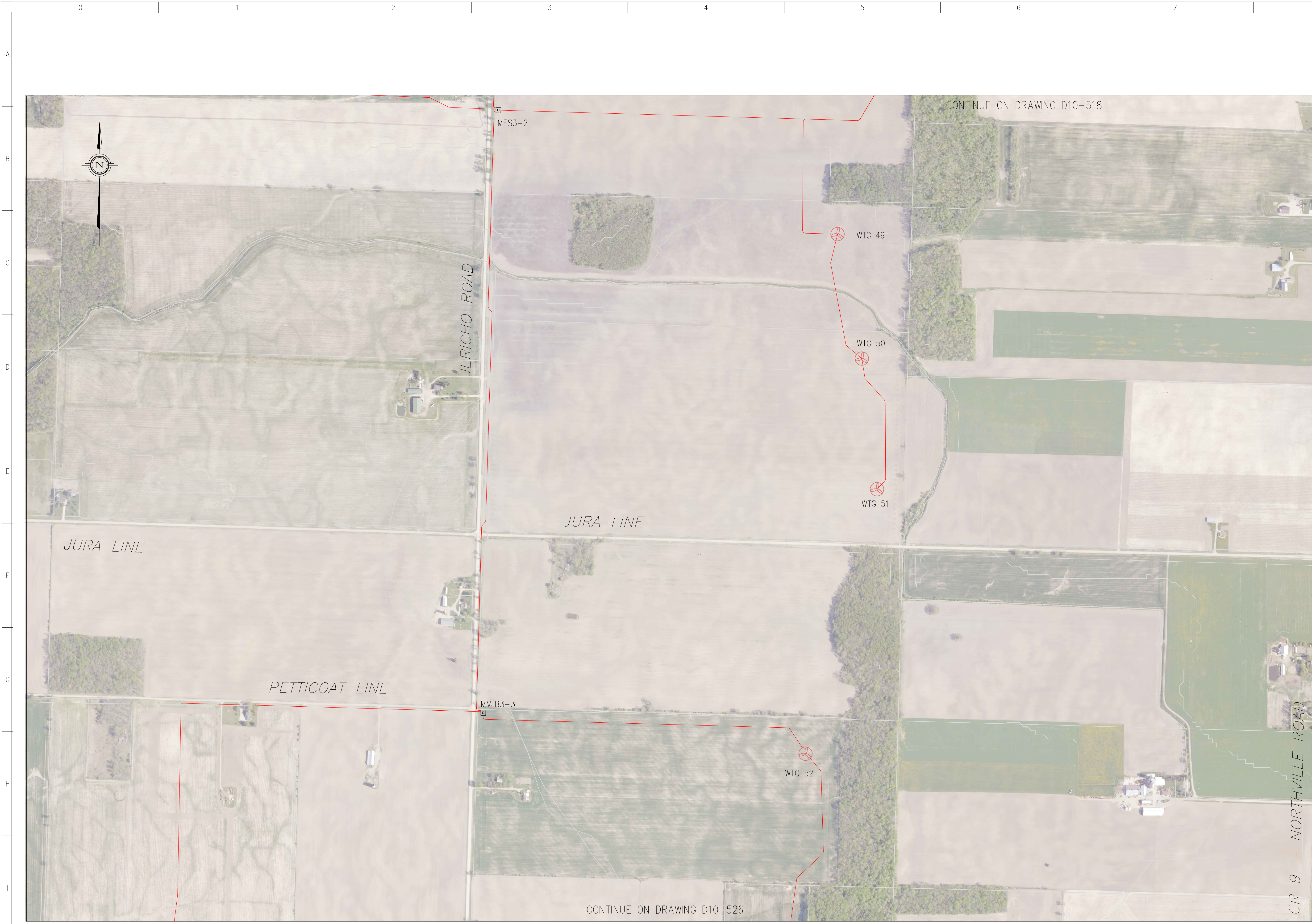
TITLE: JERICO 34.5kV COLLECTOR SYSTEM  
WTC 38 & 88  
UNDERGROUND CABLE LAYOUT

|                        |                        |                               |           |
|------------------------|------------------------|-------------------------------|-----------|
| DRAWN BY:<br>M.FREITAS | CHECKED BY:<br>M.WASAY | APPROVED BY:<br>K.PATEL       | SHEET No. |
| SCALE:<br>NTS          | DATE:<br>12/12/12      | DWG. No.<br>12039-NEC-D10-521 | REV.<br>D |

**PRELIMINARY  
NOT FOR  
CONSTRUCTION**

PROPRIETARY INFORMATION:  
THIS DRAWING IS THE INTELLECTUAL PROPERTY OF ONELINE ENGINEERING INC. AND IS NOT TO BE LOANED OR REPRODUCED IN ANY WAY WITHOUT THE EXPRESS PERMISSION OF ONELINE ENGINEERING INC.





- NOTES:**
1. INSTALLATION SHALL COMPLY WITH OESC 2012, 25TH EDITION.
  2. CONTRACTOR SHALL EXERCISE/IMPLEMENT ROAD USER AGREEMENT WITH CONCERNED AUTHORITIES OF TOWNSHIP/COUNTY/MUNICIPALITIES FOR THE RIGHT TO USE CERTAIN PORTION OF ROAD ALLOWANCES.
  3. CONTRACTOR SHALL REPORT ANY OBSTRUCTIONS AFFECTING THEIR PERFORMANCE BEFORE PROCEEDING WITH ANY WORK.
  4. CONTRACTOR SHALL VERIFY LOCATIONS OF ALL EXISTING UTILITIES BEFORE ANY EXCAVATION/BORING/DRILLING IS STARTED. CONTRACTOR MUST NOTIFY ONTARIO ONE CALL AND UTILITY OWNERS AT LEAST 5 DAYS PRIOR TO COMMENCING ANY WORK. FOR MORE INFORMATION, VISIT WWW.ON1CALL.COM OR CALL 1-800-400-2255.
  5. CONTRACTOR SHALL ENSURE THAT HDD CROSSINGS UNDER ROAD/HWY/RAILWAY MAINTAIN THE SAME SEPARATION ESTABLISHED BETWEEN TRENCHES SO AS TO MAINTAIN REQUIRED CABLE AMPACITY.
  6. CONTRACTOR SHALL VERIFY AND FOLLOW INSTRUCTIONS OF ENCROACHMENT PERMIT/APPROVAL FROM THE MINISTRY OF TRANSPORTATION-ONTARIO (MTO) BEFORE INSTALLATION OF UNDERGROUND CABLES NEAR HIGHWAYS. (E.G. 402 HWY)
  7. CONTRACTOR SHALL USE HDPE DR11 RATED CONDUITS FOR ROAD, HIGHWAY, UTILITIES, VEGETATION, AND PROTECTED AREA CROSSINGS FOR INSTALLATION VIA HORIZONTAL DIRECTIONAL DRILLING (HDD). CONTRACTOR SHALL USE STEEL CASINGS FOR RAILWAY CROSSINGS VIA HDD. CONTRACTORS SHALL INSTALL FIBER OPTIC CABLES IN A SEPARATE HDPE/PVC SCH. 40 CONDUITS FOR ALL CROSSINGS.
  8. THE CONTRACTOR MUST FIELD CHECK AND VERIFY INSTALLATION DETAIL SUCH AS DIMENSION, ELEVATION, SITE CONDITION ETC. AND REPORT ANY DISCREPANCIES TO THE SITE MANAGER (ENGINEER) PRIOR TO COMMENCING ANY WORK/FABRICATION.
  9. CONTRACTOR SHALL REFER TO DRAWINGS: 12039-NEC-D10-534 AND D10-536 FOR ALL CROSSINGS.
  10. ALL CABLE PENETRATING BUILDING WALLS & FLOORS SHALL BE COATED WITH FM APPROVED FIRE STOP COATING SUCH AS FLAMEASTIC 77 OR APPROVED EQUAL FOR 3 FEET ON EACH SIDE OF PENETRATION.
  11. DRAWINGS BASED ON CALLON DIETZ SITE PLAN DRAWINGS.
  12. ALL DRAWING REFERENCES PREFIXED WITH 12039-NEC-

- LEGEND:**
- 34.5kV COLLECTION IN LAMBTON COUNTY ROW
  - 34.5kV COLLECTION OTHER
  - D0-XXX  
D#XX DRAWING REFERENCE PREFIXED BY 12039-NEC-  
DETAIL REFERENCE, SECTION #
  - MVJB = MEDIUM VOLTAGE JUNCTION BOX
  - MES = METAL ENCLOSED SWITCHGEAR

| REV. | DATE     | DESCRIPTION                      | CHK'D | APP'D |
|------|----------|----------------------------------|-------|-------|
| D    | 05/03/13 | ISSUED FOR INFORMATION ONLY      | MW    | DP    |
| C    | 28/11/13 | REVISED LAYOUT AND MES LOCATIONS | MW    | KP    |
| B    | 10/09/13 | REVISED LAYOUT AND MES LOCATIONS | MW    | DP    |
| A    | 10/05/13 | ISSUED FOR REVIEW AND COMMENT    | MW    | KP    |

**One Line**  
Engineering Inc. - Electrical Consultants  
Tel: 905-688-6857 Fax: 905-688-6926  
www.onelineen.com

**NEXTERA ENERGY**  
CANADA

CLIENT: NEXTERA ENERGY CANADA

TITLE: JERICO 34.5kV COLLECTOR SYSTEM  
WTG 49, 50, 51 & 52  
UNDERGROUND CABLE LAYOUT

|                        |                        |                               |           |
|------------------------|------------------------|-------------------------------|-----------|
| DRAWN BY:<br>M.FREITAS | CHECKED BY:<br>M.WASAY | APPROVED BY:<br>K.PATEL       | SHEET No. |
| SCALE:<br>NTS          | DATE:<br>12/12/12      | DWG. No.<br>12039-NEC-D10-522 | REV. D    |

**PRELIMINARY  
NOT FOR  
CONSTRUCTION**

PROPRIETARY INFORMATION:  
THIS DRAWING IS THE INTELLECTUAL PROPERTY OF ONELINE ENGINEERING INC. AND IS NOT TO BE LOANED OR REPRODUCED IN ANY WAY WITHOUT THE EXPRESS PERMISSION OF ONELINE ENGINEERING INC.





- NOTES:**
1. INSTALLATION SHALL COMPLY WITH OESC 2012, 25TH EDITION.
  2. CONTRACTOR SHALL EXERCISE/IMPLEMENT ROAD USER AGREEMENT WITH CONCERNED AUTHORITIES OF TOWNSHIP/COUNTY/MUNICIPALITIES FOR THE RIGHT TO USE CERTAIN PORTION OF ROAD ALLOWANCES.
  3. CONTRACTOR SHALL REPORT ANY OBSTRUCTIONS AFFECTING THEIR PERFORMANCE BEFORE PROCEEDING WITH ANY WORK.
  4. CONTRACTOR SHALL VERIFY LOCATIONS OF ALL EXISTING UTILITIES BEFORE ANY EXCAVATION/BORING/DRILLING IS STARTED. CONTRACTOR MUST NOTIFY ONTARIO ONE CALL AND UTILITY OWNERS AT LEAST 5 DAYS PRIOR TO COMMENCING ANY WORK. FOR MORE INFORMATION, VISIT WWW.ON1CALL.COM OR CALL 1-800-400-2255.
  5. CONTRACTOR SHALL ENSURE THAT HDD CROSSINGS UNDER ROAD/HWY/RAILWAY MAINTAIN THE SAME SEPARATION ESTABLISHED BETWEEN TRENCHES SO AS TO MAINTAIN REQUIRED CABLE AMPACITY.
  6. CONTRACTOR SHALL VERIFY AND FOLLOW INSTRUCTIONS OF ENCROACHMENT PERMIT/APPROVAL FROM THE MINISTRY OF TRANSPORTATION-ONTARIO (MTO) BEFORE INSTALLATION OF UNDERGROUND CABLES NEAR HIGHWAYS. (E.G. 402 HWY)
  7. CONTRACTOR SHALL USE HDPE DR11 RATED CONDUITS FOR ROAD, HIGHWAY, UTILITIES, VEGETATION, AND PROTECTED AREA CROSSINGS FOR INSTALLATION VIA HORIZONTAL DIRECTIONAL DRILLING (HDD). CONTRACTOR SHALL USE STEEL CASINGS FOR RAILWAY CROSSINGS VIA HDD. CONTRACTORS SHALL INSTALL FIBER OPTIC CABLES IN A SEPARATE HDPE/PVC SCH. 40 CONDUITS FOR ALL CROSSINGS.
  8. THE CONTRACTOR MUST FIELD CHECK AND VERIFY INSTALLATION DETAIL SUCH AS DIMENSION, ELEVATION, SITE CONDITION ETC. AND REPORT ANY DISCREPANCIES TO THE SITE MANAGER (ENGINEER) PRIOR TO COMMENCING ANY WORK/FABRICATION.
  9. CONTRACTOR SHALL REFER TO DRAWINGS: 12039-NEC-D10-534 AND D10-536 FOR ALL CROSSINGS.
  10. ALL CABLE PENETRATING BUILDING WALLS & FLOORS SHALL BE COATED WITH FM APPROVED FIRE STOP COATING SUCH AS FLAMEASTIC 77 OR APPROVED EQUAL FOR 3 FEET ON EACH SIDE OF PENETRATION.
  11. DRAWINGS BASED ON CALLON DIETZ SITE PLAN DRAWINGS.
  12. ALL DRAWING REFERENCES PREFIXED WITH 12039-NEC-

- LEGEND:**
- 34.5kV COLLECTION IN LAMBTON COUNTY ROW
  - 34.5kV COLLECTION OTHER
  - D0-XXX  
D#.XX DRAWING REFERENCE PREFIXED BY 12039-NEC-
  - D#.XX DETAIL REFERENCE, SECTION #
  - MVJB = MEDIUM VOLTAGE JUNCTION BOX
  - MES = METAL ENCLOSED SWITCHGEAR

| REV. | DATE     | DESCRIPTION                      | CHK'D | APP'D |
|------|----------|----------------------------------|-------|-------|
| D    | 05/03/13 | ISSUED FOR INFORMATION ONLY      | MW    | DP    |
| C    | 28/11/13 | REVISED LAYOUT AND MES LOCATIONS | MW    | KP    |
| B    | 10/09/13 | REVISED LAYOUT AND MES LOCATIONS |       | DP    |
| A    | 10/05/13 | ISSUED FOR REVIEW AND COMMENT    | MW    | KP    |

**One Line**  
Engineering • Consulting • Electrical

Tel 905-688-6857 Fax 905-688-6926  
www.oneline.ca

**NEXTERA ENERGY**  
CANADA

CLIENT:  
NEXTERA ENERGY CANADA

TITLE:  
JERICO 34.5kV COLLECTOR SYSTEM  
WTG 60 TO 63  
UNDERGROUND CABLE LAYOUT

|                        |                        |                               |                |
|------------------------|------------------------|-------------------------------|----------------|
| DRAWN BY:<br>M.FREITAS | CHECKED BY:<br>M.WASAY | APPROVED BY:<br>K.PATEL       | SHEET No.<br>D |
| SCALE:<br>NTS          | DATE:<br>12/12/12      | DWG. No.<br>12039-NEC-D10-523 | REV. No.<br>D  |

**PRELIMINARY  
NOT FOR  
CONSTRUCTION**

PROPRIETARY INFORMATION:  
THIS DRAWING IS THE INTELLECTUAL PROPERTY OF ONE LINE ENGINEERING INC. AND IS NOT TO BE LOANED OR REPRODUCED IN ANY WAY WITHOUT THE EXPRESS PERMISSION OF ONE LINE ENGINEERING INC.

CONTINUE ON DRAWING D10-519

GORDON ROAD

JURA LINE

CR 9 - NORTHVILLE ROAD

MVJB7-3

CONTINUE ON DRAWING D10-526

WTG 60

MVJB7-4

WTG 61

WTG 62

WTG 63

CONTINUE ON DRAWING D10-527

CONTINUE ON DRAWING D10-524

WTG 73



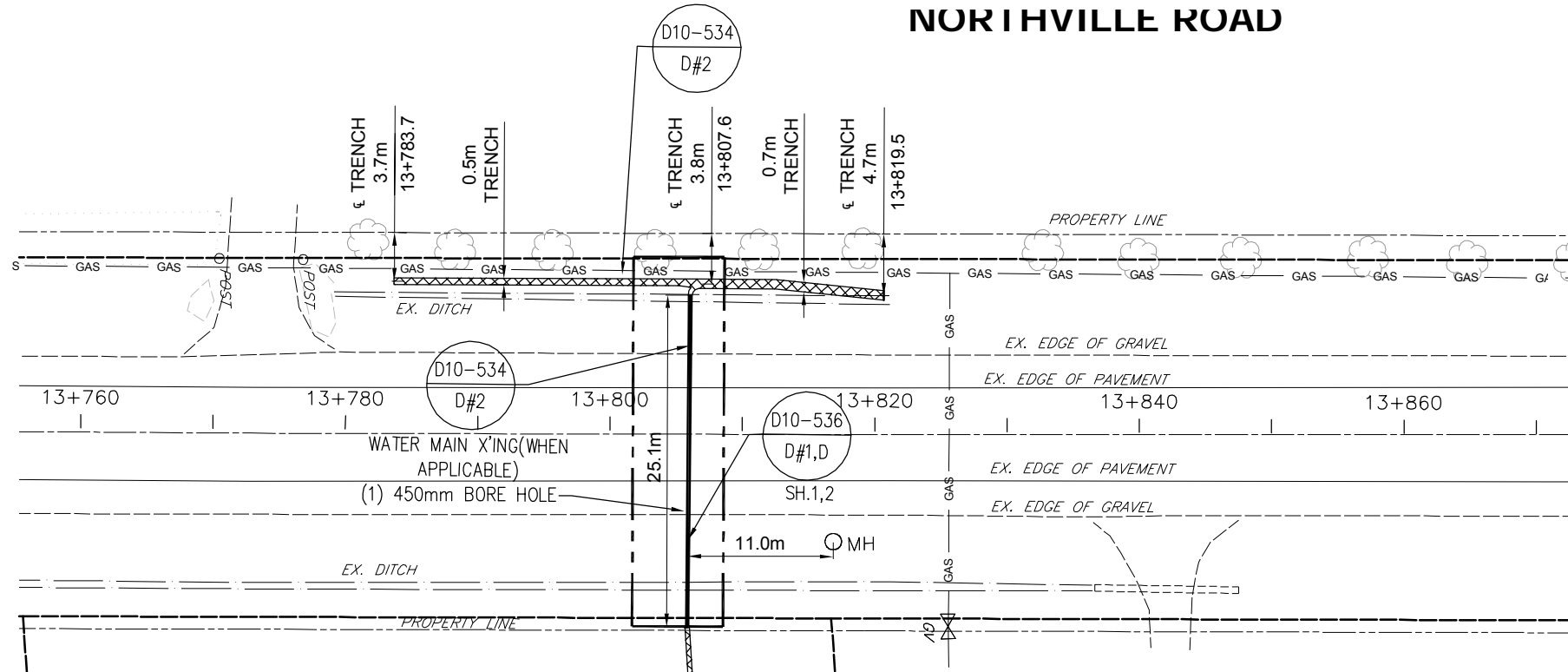
**APPENDIX 'C'**

**CROSS-SECTION OF DISTRIBUTION SYSTEM FACILITIES**

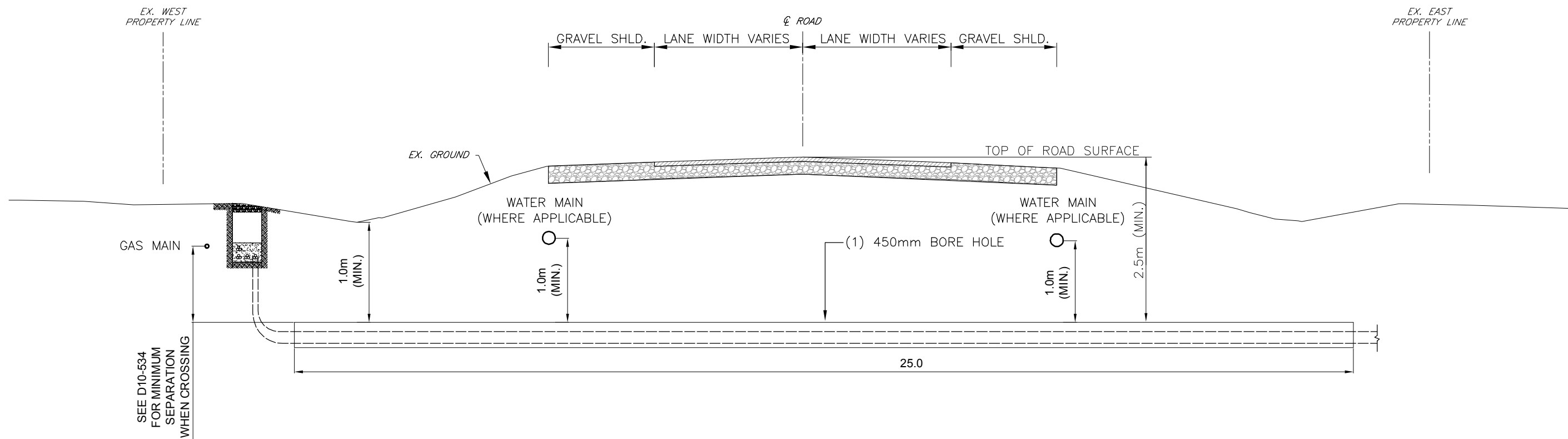
**WITHIN COUNTY ROAD ALLOWANCES**



**NORTHVILLE ROAD**



HORZ. 1:500



SEE D10-534 FOR MINIMUM SEPARATION WHEN CROSSING

CONTRACT DRAWINGS  
CONTRACTOR MUST VERIFY ALL DIMENSIONS AND BE RESPONSIBLE FOR SAME. ANY DISCREPANCIES MUST BE REPORTED TO THE ENGINEER BEFORE COMMENCING WORK. DRAWINGS ARE NOT TO BE SCALED.

C.C. TATHAM & ASSOCIATES LTD. CLAIMS COPYRIGHT TO THIS DOCUMENT WHICH MAY NOT BE USED FOR ANY PURPOSE OTHER THAN THAT PROVIDED IN THE CONTRACT BETWEEN THE OWNER/CLIENT AND THE ENGINEER WITHOUT THE EXPRESS CONSENT OF C.C. TATHAM & ASSOCIATES LTD.

PIPE SIZES ARE IN MILLIMETRES UNLESS INDICATED. ELEVATIONS ARE IN METRES UNLESS INDICATED. ALL DIMENSIONS, ELEVATIONS AND SIZES ARE IN METRIC UNITS UNLESS INDICATED.

APPROVED FOR SUBMISSION

C.C. TATHAM & ASSOCIATES LTD. (CIVIL)

APPROVED FOR SUBMISSION

ONE LINE ENGINEERING INC. (ELECTRICAL)



**OneLine**  
Engineering Inc. - Electrical Power Specialists  
Tel (905) 688-6857 Fax (905) 688-6926  
www.onelineeng.com

**C.C. Tatham & Associates Ltd.**  
Consulting Engineers  
Collingwood Bracebridge Orillia Barrie

**NOT FOR CONSTRUCTION**

| NO. | REVISIONS                  | DATE     | INITIAL |
|-----|----------------------------|----------|---------|
| B   | RESUBMITTED TO COUNTY      | 01/24/14 | K.P.    |
| A   | INFORMATION FOR PERMITTING | 12/05/13 | K.P.    |

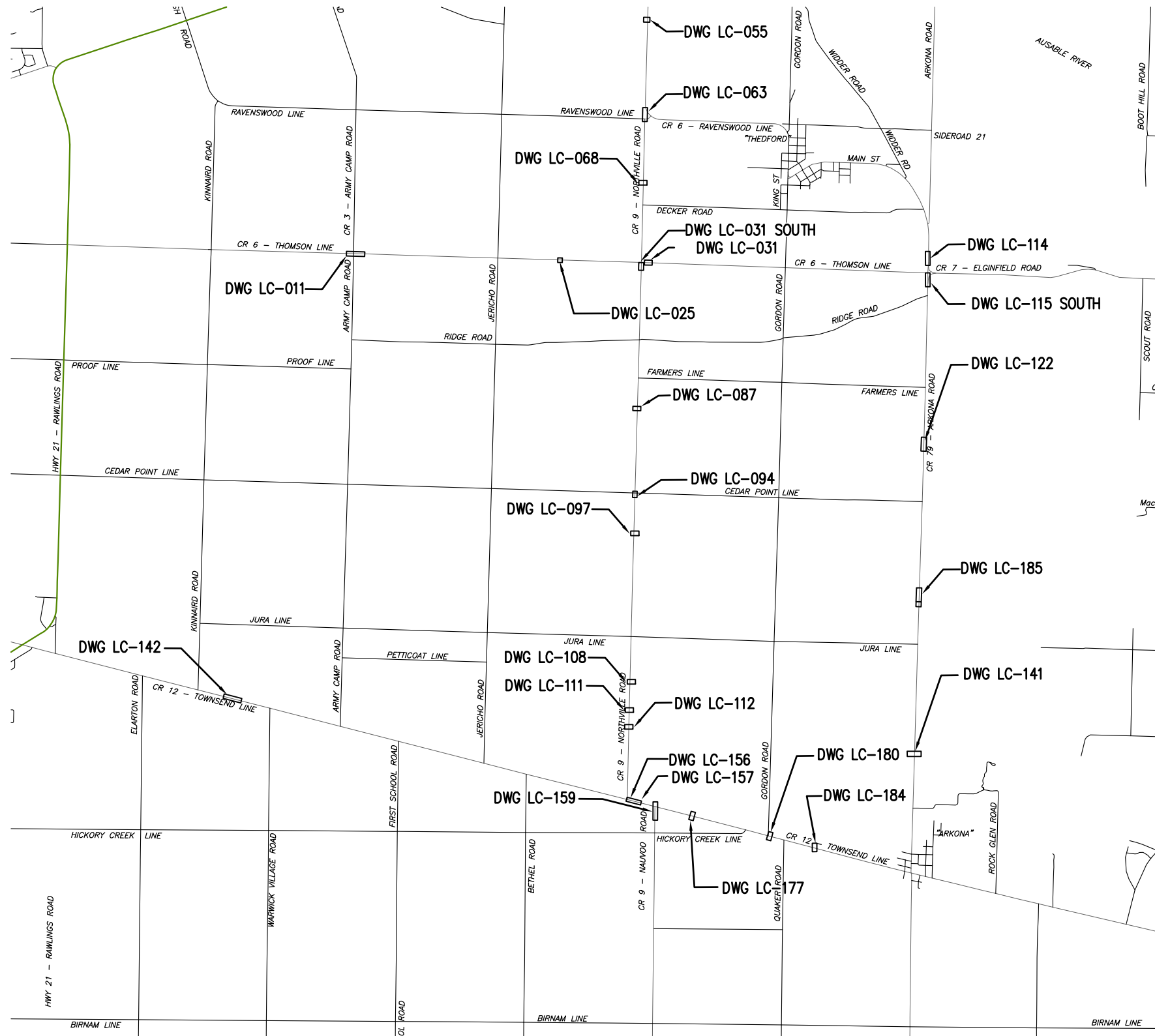
**NEXTERA ENERGY CANADA, ULC**  
**JERICO WIND ENERGY CENTRE**  
**CABLE CROSSING**  
**NORTHVILLE ROAD AT TURBINE 58**

SCALE: AS NOTED      DATE: OCTOBER 2013

DWG. No.  
**LC-097-CROSSING**

C.C. TATHAM & ASSOCIATES Ltd.  
FILE NO. 412414-1





CONTRACT DRAWINGS  
 CONTRACTOR MUST VERIFY ALL DIMENSIONS AND BE RESPONSIBLE FOR SAME. ANY DISCREPANCIES MUST BE REPORTED TO THE ENGINEER BEFORE COMMENCING WORK. DRAWINGS ARE NOT TO BE SCALED.

C.C. TATHAM & ASSOCIATES LTD. CLAIMS COPYRIGHT TO THIS DOCUMENT WHICH MAY NOT BE USED FOR ANY PURPOSE OTHER THAN THAT PROVIDED IN THE CONTRACT BETWEEN THE OWNER/CLIENT AND THE ENGINEER WITHOUT THE EXPRESS CONSENT OF C.C. TATHAM & ASSOCIATES LTD.

PIPE SIZES ARE IN MILLIMETRES UNLESS INDICATED. ELEVATIONS ARE IN METRES UNLESS INDICATED. ALL DIMENSIONS, ELEVATIONS AND SIZES ARE IN METRIC UNITS UNLESS INDICATED.

APPROVED FOR SUBMISSION



C.C. TATHAM & ASSOCIATES LTD. (CIVIL)

APPROVED FOR SUBMISSION



ONE LINE ENGINEERING INC. (ELECTRICAL)



**One Line**

Engineering Inc. - Electrical Power Specialists

Tel (905) 688-6857 Fax (905) 688-6926  
 www.onelineeng.com

**NOT FOR CONSTRUCTION**

| NO. | REVISIONS                            | DATE     | INITIAL |
|-----|--------------------------------------|----------|---------|
| B   | RESUBMITTED TO COUNTY FOR PERMITTING | 12/05/13 | K.P.    |
| A   | INFORMATION FOR PERMITTING           | 06/11/13 | K.P.    |

**NEXTERA ENERGY CANADA, ULC  
 JERICHO WIND ENERGY CENTRE**

**CROSSING INDEX SHEET**

SCALE: N.T.S.

DATE: OCTOBER 2013



**C.C. Tatham & Associates Ltd.**  
 Consulting Engineers

Collingwood Bracebridge Orillia Barrie

DWG. No.  
**LC-INDEX 2**

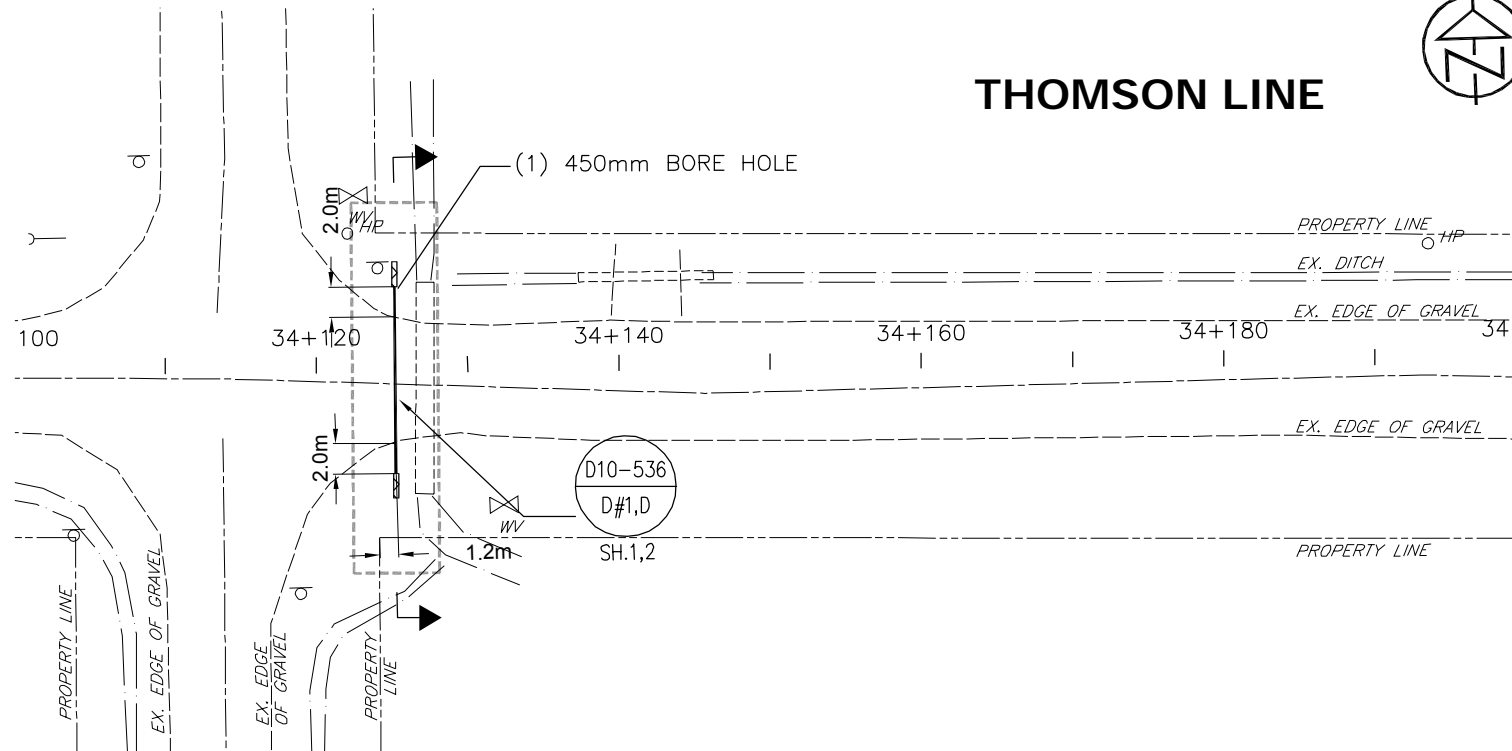
C.C. TATHAM & ASSOCIATES Ltd.  
 FILE NO. 412414-1



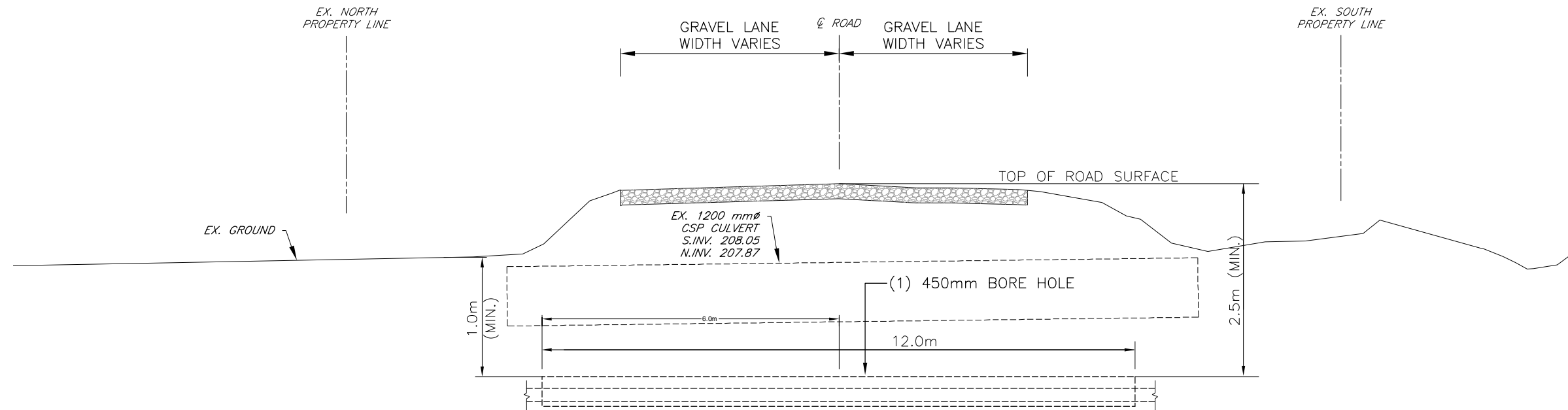
# THOMSON LINE



ARMY CAMP ROAD



HORZ. 1:500



HORZ. 1:100

CONTRACT DRAWINGS  
CONTRACTOR MUST VERIFY ALL DIMENSIONS AND BE RESPONSIBLE FOR SAME. ANY DISCREPANCIES MUST BE REPORTED TO THE ENGINEER BEFORE COMMENCING WORK. DRAWINGS ARE NOT TO BE SCALED.

C.C. TATHAM & ASSOCIATES LTD. CLAIMS COPYRIGHT TO THIS DOCUMENT WHICH MAY NOT BE USED FOR ANY PURPOSE OTHER THAN THAT PROVIDED IN THE CONTRACT BETWEEN THE OWNER/CLIENT AND THE ENGINEER WITHOUT THE EXPRESS CONSENT OF C.C. TATHAM & ASSOCIATES LTD.

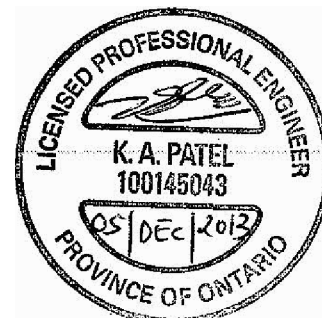
PIPE SIZES ARE IN MILLIMETRES UNLESS INDICATED. ELEVATIONS ARE IN METRES UNLESS INDICATED. ALL DIMENSIONS, ELEVATIONS AND SIZES ARE IN METRIC UNITS UNLESS INDICATED.

APPROVED FOR SUBMISSION



C.C. TATHAM & ASSOCIATES LTD. (CIVIL)

APPROVED FOR SUBMISSION



ONE LINE ENGINEERING INC. (ELECTRICAL)



OneLine

Engineering Inc. - Electrical Power Specialists

Tel (905) 688-6857 Fax (905) 688-6926  
www.onelineeng.com

**NOT FOR CONSTRUCTION**

| NO. | REVISIONS                            | DATE     | INITIAL |
|-----|--------------------------------------|----------|---------|
| B   | RESUBMITTED TO COUNTY FOR PERMITTING | 12/05/13 | K.P.    |
| A   | INFORMATION FOR PERMITTING           | 06/11/13 | K.P.    |

|   |                    |
|---|--------------------|
| <b>NEXTERA ENERGY CANADA, ULC</b><br><b>JERICO WIND ENERGY CENTRE</b><br><b>CABLE CROSSING</b><br><b>THOMSON LINE AT ARMY CAMP ROAD</b> |                    |
| SCALE: AS NOTED   | DATE: OCTOBER 2013 |

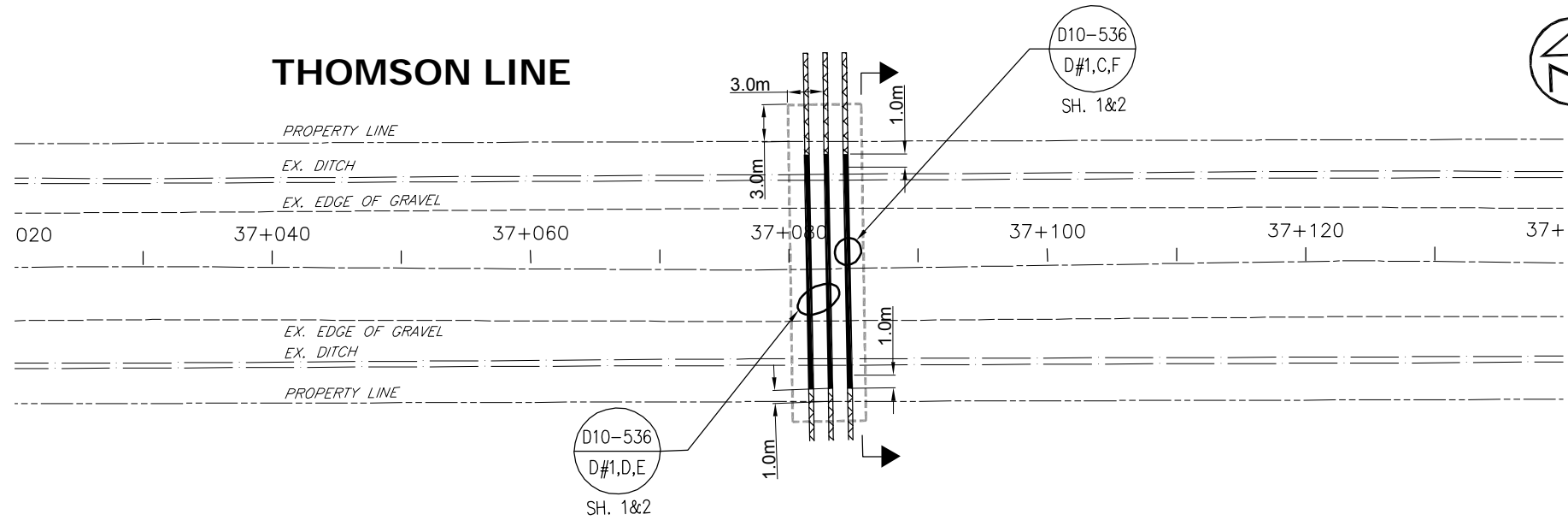
|  |                        |
|--|------------------------|
| DWG. No.   | <b>LC-011-CROSSING</b> |
| C.C. TATHAM & ASSOCIATES Ltd.<br>FILE NO. 412414-1 |                        |

**C.C. Tatham & Associates Ltd.**  
Consulting Engineers

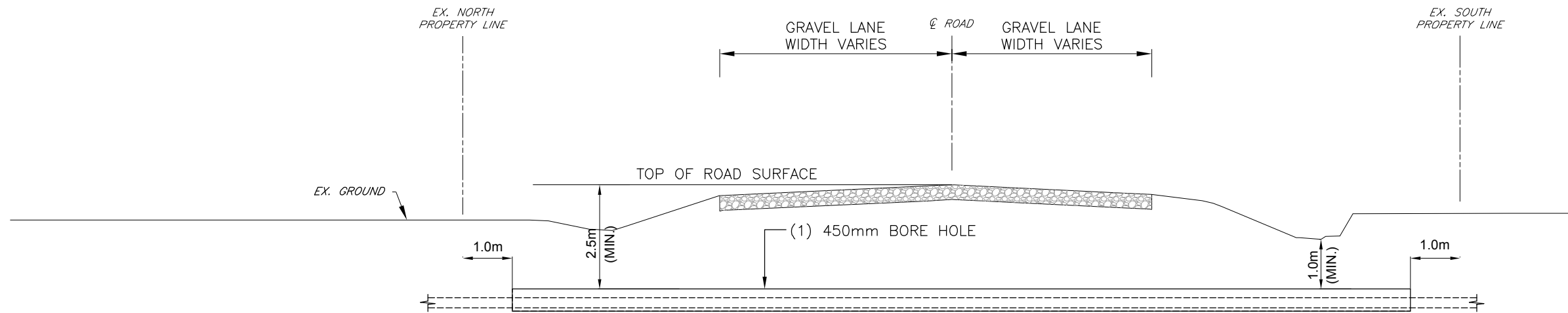
Collingwood Bracebridge Orillia Barrie



# THOMSON LINE



HORZ. 1:500



CONTRACT DRAWINGS  
CONTRACTOR MUST VERIFY ALL DIMENSIONS AND BE RESPONSIBLE FOR SAME. ANY DISCREPANCIES MUST BE REPORTED TO THE ENGINEER BEFORE COMMENCING WORK. DRAWINGS ARE NOT TO BE SCALED.

C.C. TATHAM & ASSOCIATES LTD. CLAIMS COPYRIGHT TO THIS DOCUMENT WHICH MAY NOT BE USED FOR ANY PURPOSE OTHER THAN THAT PROVIDED IN THE CONTRACT BETWEEN THE OWNER/CLIENT AND THE ENGINEER WITHOUT THE EXPRESS CONSENT OF C.C. TATHAM & ASSOCIATES LTD.

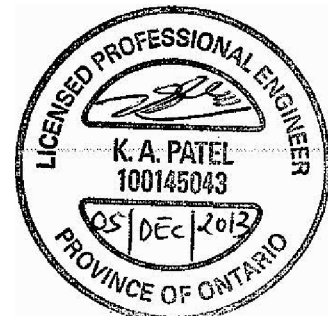
PIPE SIZES ARE IN MILLIMETRES UNLESS INDICATED. ELEVATIONS ARE IN METRES UNLESS INDICATED. ALL DIMENSIONS, ELEVATIONS AND SIZES ARE IN METRIC UNITS UNLESS INDICATED.

APPROVED FOR SUBMISSION



C.C. TATHAM & ASSOCIATES LTD. (CIVIL)

APPROVED FOR SUBMISSION



ONE LINE ENGINEERING INC. (ELECTRICAL)



OneLine

Engineering Inc. - Electrical Power Specialists

Tel (905) 688-6857 Fax (905) 688-6926  
www.onelineeng.com



C.C. Tatham & Associates Ltd.  
Consulting Engineers

Collingwood Bracebridge Orillia Barrie

**NOT FOR CONSTRUCTION**

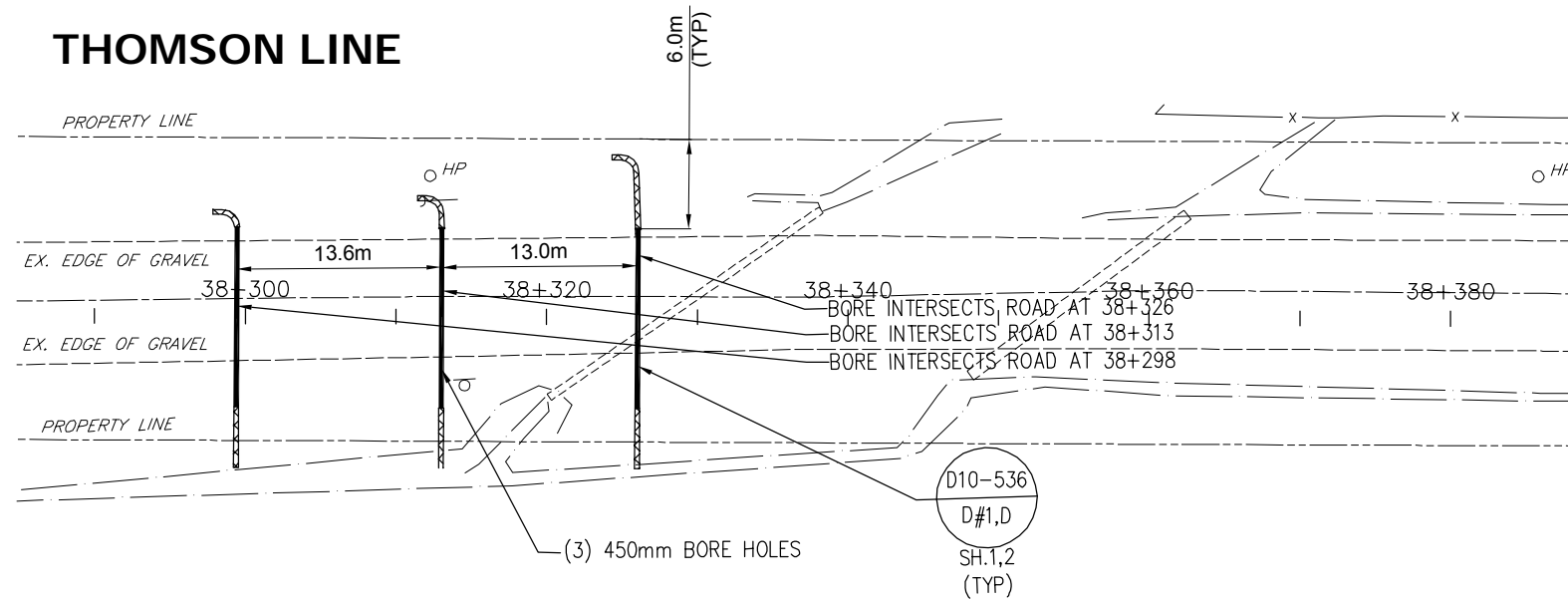
| NO. | REVISIONS                            | DATE     | INITIAL |
|-----|--------------------------------------|----------|---------|
| B   | RESUBMITTED TO COUNTY FOR PERMITTING | 12/05/13 | K.P.    |
| A   | INFORMATION FOR PERMITTING           | 06/11/13 | K.P.    |

|   |  |                 |                    |
|---|--|-----------------|--------------------|
| NEXTERA ENERGY CANADA, ULC<br>JERICO WIND ENERGY CENTRE<br>CABLE CROSSING<br>THOMSON LINE AT TURBINE 26 |  | SCALE: AS NOTED | DATE: OCTOBER 2013 |
|---|--|-----------------|--------------------|

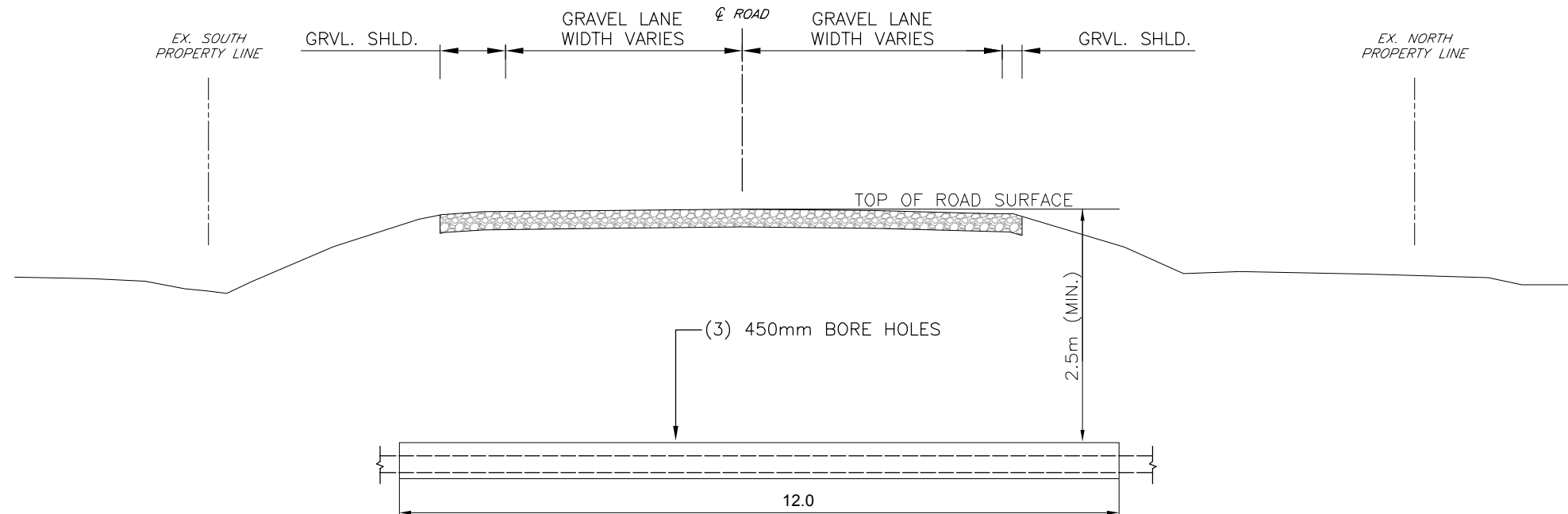
|  |
|--|
| DWG. No.<br><b>LC-025-CROSSING</b>                 |
| C.C. TATHAM & ASSOCIATES Ltd.<br>FILE NO. 412414-1 |



# THOMSON LINE



HORZ. 1:500



HORZ. 1:100

CONTRACT DRAWINGS  
CONTRACTOR MUST VERIFY ALL DIMENSIONS AND BE RESPONSIBLE FOR SAME. ANY DISCREPANCIES MUST BE REPORTED TO THE ENGINEER BEFORE COMMENCING WORK. DRAWINGS ARE NOT TO BE SCALED.

C.C. TATHAM & ASSOCIATES LTD. CLAIMS COPYRIGHT TO THIS DOCUMENT WHICH MAY NOT BE USED FOR ANY PURPOSE OTHER THAN THAT PROVIDED IN THE CONTRACT BETWEEN THE OWNER/CLIENT AND THE ENGINEER WITHOUT THE EXPRESS CONSENT OF C.C. TATHAM & ASSOCIATES LTD.

PIPE SIZES ARE IN MILLIMETRES UNLESS INDICATED. ELEVATIONS ARE IN METRES UNLESS INDICATED. ALL DIMENSIONS, ELEVATIONS AND SIZES ARE IN METRIC UNITS UNLESS INDICATED.

APPROVED FOR SUBMISSION



C.C. TATHAM & ASSOCIATES LTD. (CIVIL)

APPROVED FOR SUBMISSION



ONE LINE ENGINEERING INC. (ELECTRICAL)



**OneLine**  
Engineering Inc. - Electrical Power Specialists

Tel (905) 688-6857 Fax (905) 688-6926  
www.onelineeng.com

**NOT FOR CONSTRUCTION**

| NO. | REVISIONS                            | DATE     | INITIAL |
|-----|--------------------------------------|----------|---------|
| B   | RESUBMITTED TO COUNTY FOR PERMITTING | 12/05/13 | K.P.    |
| A   | INFORMATION FOR PERMITTING           | 06/11/13 | K.P.    |

|   |                    |
|---|--------------------|
| <b>NEXTERA ENERGY CANADA, ULC</b><br><b>JERICO WIND ENERGY CENTRE</b><br><b>CABLE CROSSING</b><br><b>THOMSON LINE EAST OF NORTHVILLE ROAD</b> |                    |
| SCALE: AS NOTED   | DATE: OCTOBER 2013 |

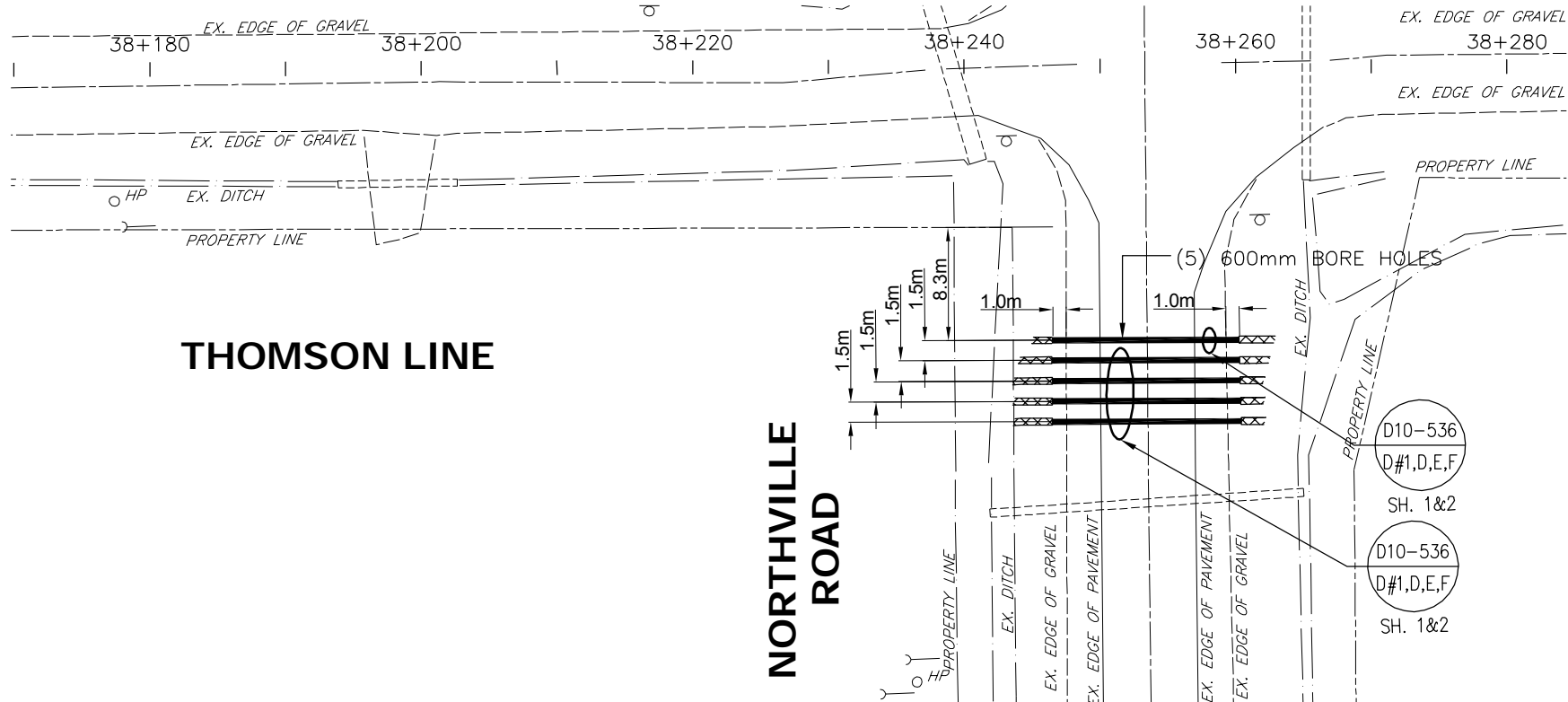
|  |
|--|
| DWG. No.<br><b>LC-031-CROSSING</b>                 |
| C.C. TATHAM & ASSOCIATES Ltd.<br>FILE NO. 412414-1 |



**C.C. Tatham & Associates Ltd.**  
Consulting Engineers

Collingwood Bracebridge Orillia Barrie



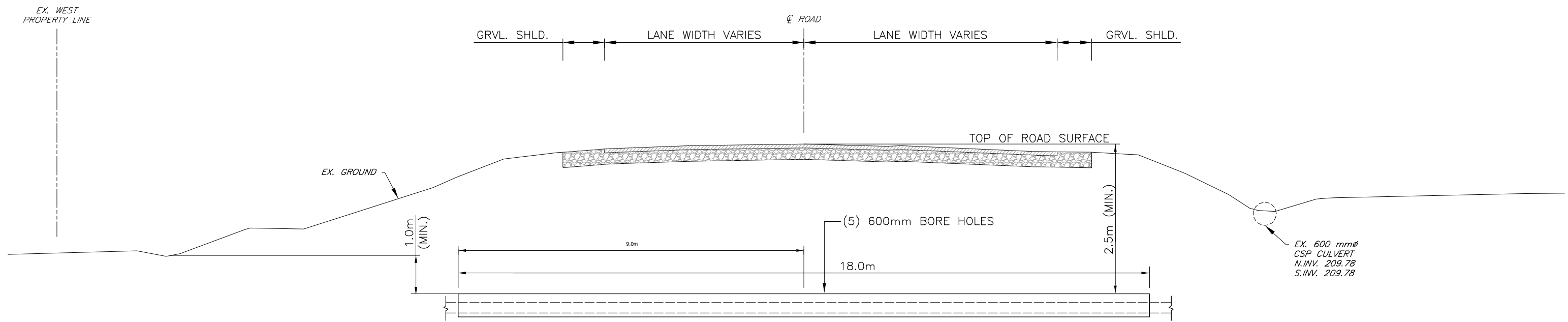


**THOMSON LINE**

**NORTHVILLE ROAD**

(5) 600mm BORE HOLES  
D10-536  
D#1,D,E,F  
SH. 1&2

HORZ. 1:500



HORZ. 1:100

CONTRACT DRAWINGS  
CONTRACTOR MUST VERIFY ALL DIMENSIONS AND BE RESPONSIBLE FOR SAME. ANY DISCREPANCIES MUST BE REPORTED TO THE ENGINEER BEFORE COMMENCING WORK. DRAWINGS ARE NOT TO BE SCALED.

C.C. TATHAM & ASSOCIATES LTD. CLAIMS COPYRIGHT TO THIS DOCUMENT WHICH MAY NOT BE USED FOR ANY PURPOSE OTHER THAN THAT PROVIDED IN THE CONTRACT BETWEEN THE OWNER/CLIENT AND THE ENGINEER WITHOUT THE EXPRESS CONSENT OF C.C. TATHAM & ASSOCIATES LTD.

PIPE SIZES ARE IN MILLIMETRES UNLESS INDICATED. ELEVATIONS ARE IN METRES UNLESS INDICATED. ALL DIMENSIONS, ELEVATIONS AND SIZES ARE IN METRIC UNITS UNLESS INDICATED.

APPROVED FOR SUBMISSION

C.C. TATHAM & ASSOCIATES LTD. (CIVIL)

APPROVED FOR SUBMISSION

ONE LINE ENGINEERING INC. (ELECTRICAL)



**OneLine**  
Engineering Inc. - Electrical Power Specialists  
Tel (905) 688-6857 Fax (905) 688-6926  
www.onelineeng.com

**C.C. Tatham & Associates Ltd.**  
Consulting Engineers  
Collingwood Bracebridge Orillia Barrie

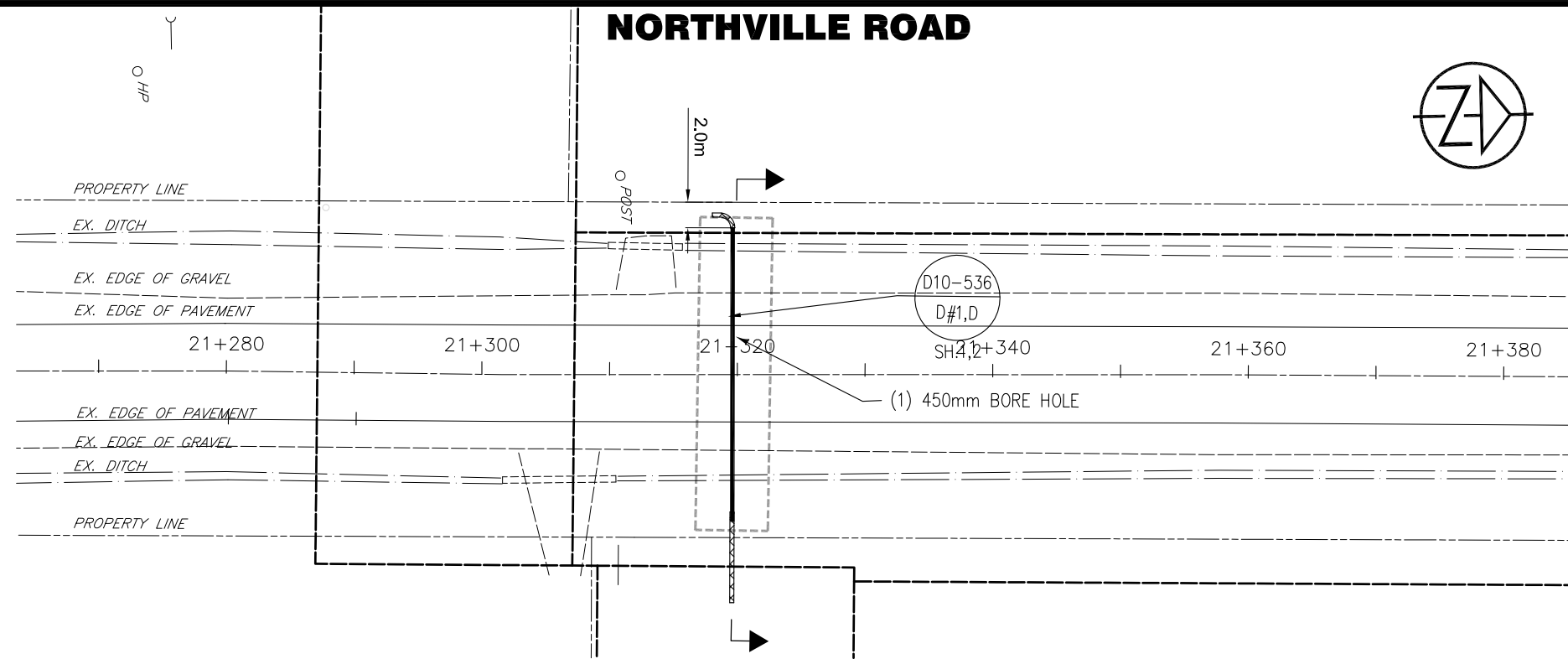
| NOT FOR CONSTRUCTION |                                      |          |         |
|----------------------|--------------------------------------|----------|---------|
| B                    | RESUBMITTED TO COUNTY FOR PERMITTING | 12/05/13 | K.P.    |
| A                    | INFORMATION FOR PERMITTING           | 06/11/13 | K.P.    |
| NO.                  | REVISIONS                            | DATE     | INITIAL |

**NEXTERA ENERGY CANADA, ULC**  
**JERICO WIND ENERGY CENTRE**  
**CABLE CROSSING**  
**NORTHVILLE ROAD AT THOMSON LINE**

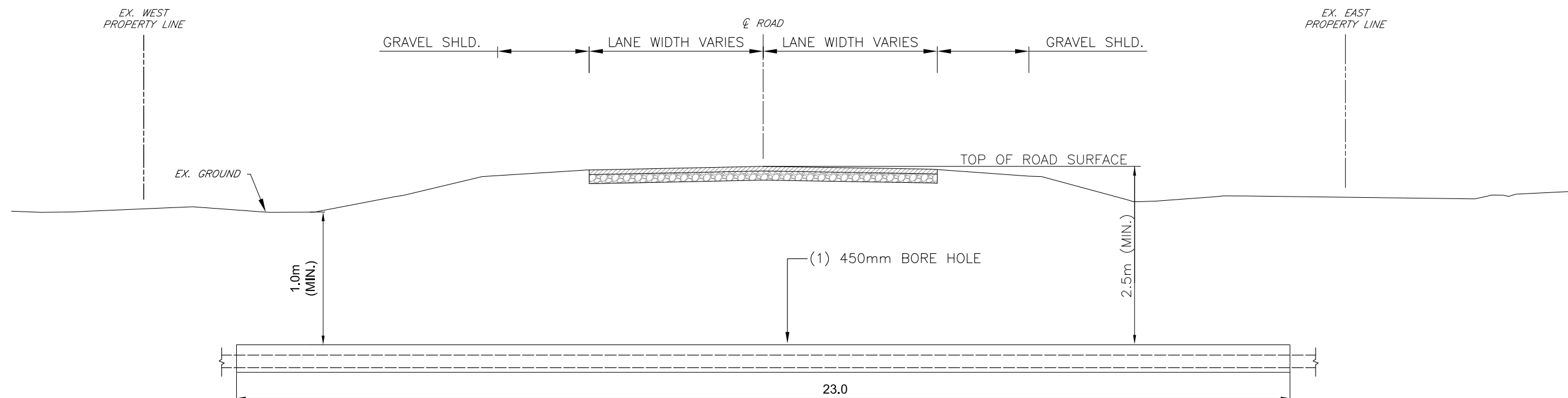
SCALE: AS NOTED  
DATE: OCTOBER 2013

DWG. No.  
**LC-031-CROSSING SOUTH**  
C.C. TATHAM & ASSOCIATES Ltd.  
FILE NO. 412414-1





HORZ. 1:500



HORZ. 1:100

CONTRACT DRAWINGS  
CONTRACTOR MUST VERIFY ALL DIMENSIONS AND BE RESPONSIBLE FOR SAME. ANY DISCREPANCIES MUST BE REPORTED TO THE ENGINEER BEFORE COMMENCING WORK. DRAWINGS ARE NOT TO BE SCALED.

C.C. TATHAM & ASSOCIATES LTD. CLAIMS COPYRIGHT TO THIS DOCUMENT WHICH MAY NOT BE USED FOR ANY PURPOSE OTHER THAN THAT PROVIDED IN THE CONTRACT BETWEEN THE OWNER/CLIENT AND THE ENGINEER WITHOUT THE EXPRESS CONSENT OF C.C. TATHAM & ASSOCIATES LTD.

PIPE SIZES ARE IN MILLIMETRES UNLESS INDICATED. ELEVATIONS ARE IN METRES UNLESS INDICATED. ALL DIMENSIONS, ELEVATIONS AND SIZES ARE IN METRIC UNITS UNLESS INDICATED.

APPROVED FOR SUBMISSION



C.C. TATHAM & ASSOCIATES LTD. (CIVIL)

APPROVED FOR SUBMISSION



ONE LINE ENGINEERING INC. (ELECTRICAL)



**One Line**

Engineering Inc. - Electrical Power Specialists

Tel (905) 688-6857 Fax (905) 688-6926  
www.onelineeng.com



**C.C. Tatham & Associates Ltd.**  
Consulting Engineers

Collingwood Bracebridge Orillia Barrie

**NOT FOR CONSTRUCTION**

|     |                            |          |         |
|-----|----------------------------|----------|---------|
| A   | INFORMATION FOR PERMITTING | 12/05/13 | K.P.    |
| NO. | REVISIONS                  | DATE     | INITIAL |

**NEXTERA ENERGY CANADA, ULC**  
**JERICO WIND ENERGY CENTRE**  
**CABLE CROSSING**  
**NORTHVILLE ROAD AT TURBINE 20**

SCALE: AS NOTED

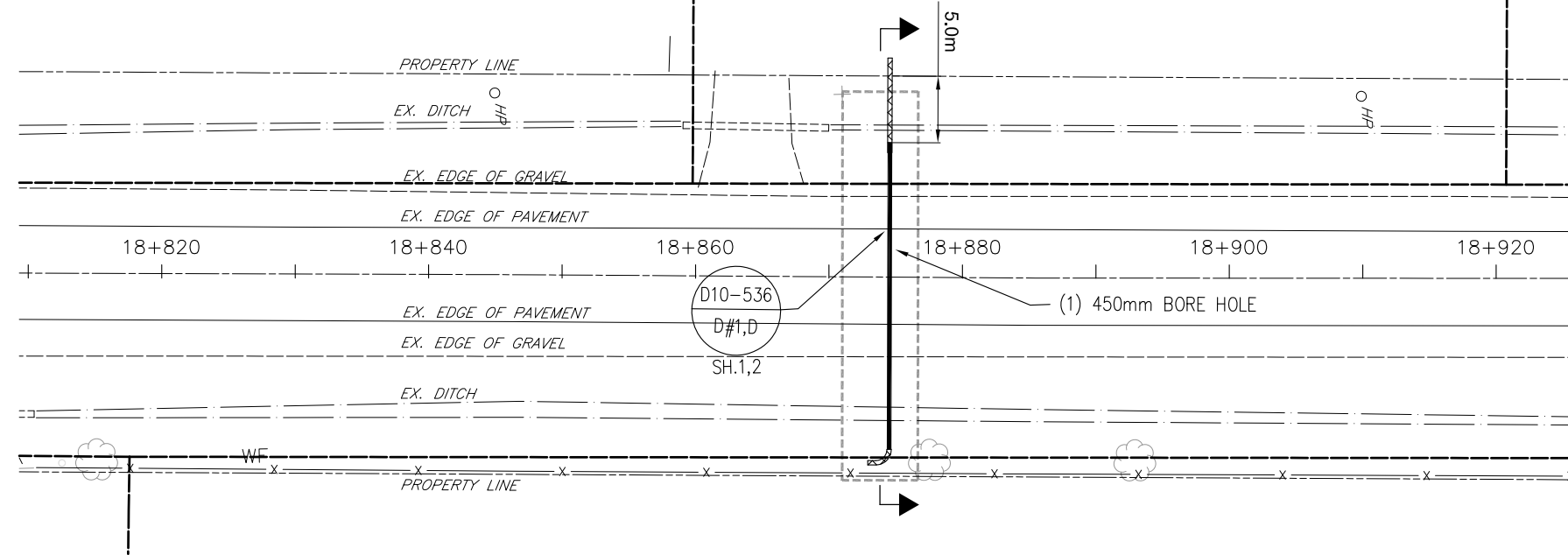
DATE: OCTOBER 2013

DWG. No.  
**LC-055-CROSSING**

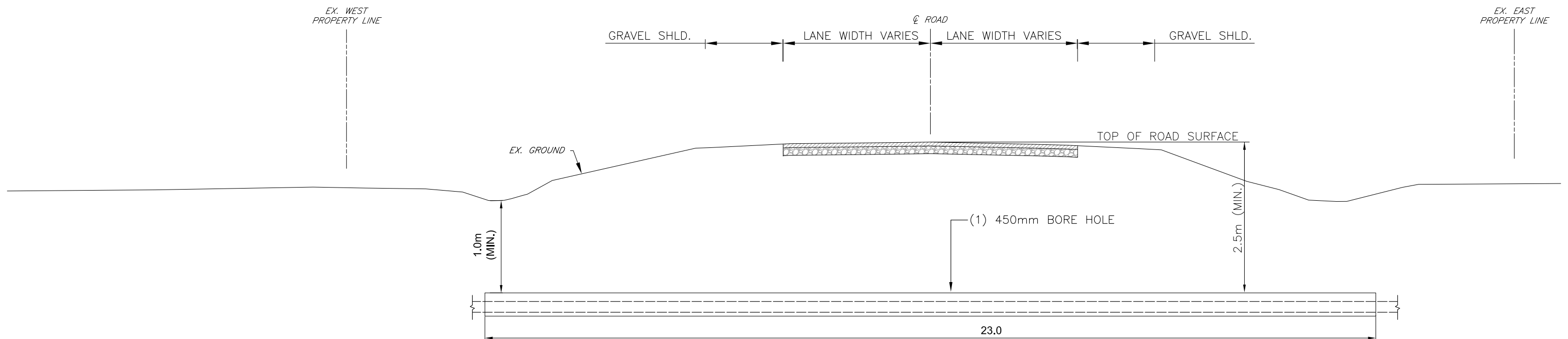
C.C. TATHAM & ASSOCIATES Ltd.  
FILE NO. 412414-1



# NORTHVILLE ROAD



HORZ. 1:500



CONTRACT DRAWINGS  
CONTRACTOR MUST VERIFY ALL DIMENSIONS AND BE RESPONSIBLE FOR SAME. ANY DISCREPANCIES MUST BE REPORTED TO THE ENGINEER BEFORE COMMENCING WORK. DRAWINGS ARE NOT TO BE SCALED.

C.C. TATHAM & ASSOCIATES LTD. CLAIMS COPYRIGHT TO THIS DOCUMENT WHICH MAY NOT BE USED FOR ANY PURPOSE OTHER THAN THAT PROVIDED IN THE CONTRACT BETWEEN THE OWNER/CLIENT AND THE ENGINEER WITHOUT THE EXPRESS CONSENT OF C.C. TATHAM & ASSOCIATES LTD.

PIPE SIZES ARE IN MILLIMETRES UNLESS INDICATED. ELEVATIONS ARE IN METRES UNLESS INDICATED. ALL DIMENSIONS, ELEVATIONS AND SIZES ARE IN METRIC UNITS UNLESS INDICATED.

APPROVED FOR SUBMISSION



C.C. TATHAM & ASSOCIATES LTD. (CIVIL)

APPROVED FOR SUBMISSION



ONE LINE ENGINEERING INC. (ELECTRICAL)



Tel (905) 688-6857 Fax (905) 688-6926  
www.onelineeng.com



C.C. Tatham & Associates Ltd.  
Consulting Engineers

Collingwood Bracebridge Orillia Barrie

**NOT FOR CONSTRUCTION**

|     |                            |          |         |
|-----|----------------------------|----------|---------|
| A   | INFORMATION FOR PERMITTING | 12/05/13 | K.P.    |
| NO. | REVISIONS                  | DATE     | INITIAL |

**NEXTERA ENERGY CANADA, ULC  
JERICHO WIND ENERGY CENTRE  
CABLE CROSSING  
NORTHVILLE ROAD AT TURBINE 22**

SCALE: AS NOTED

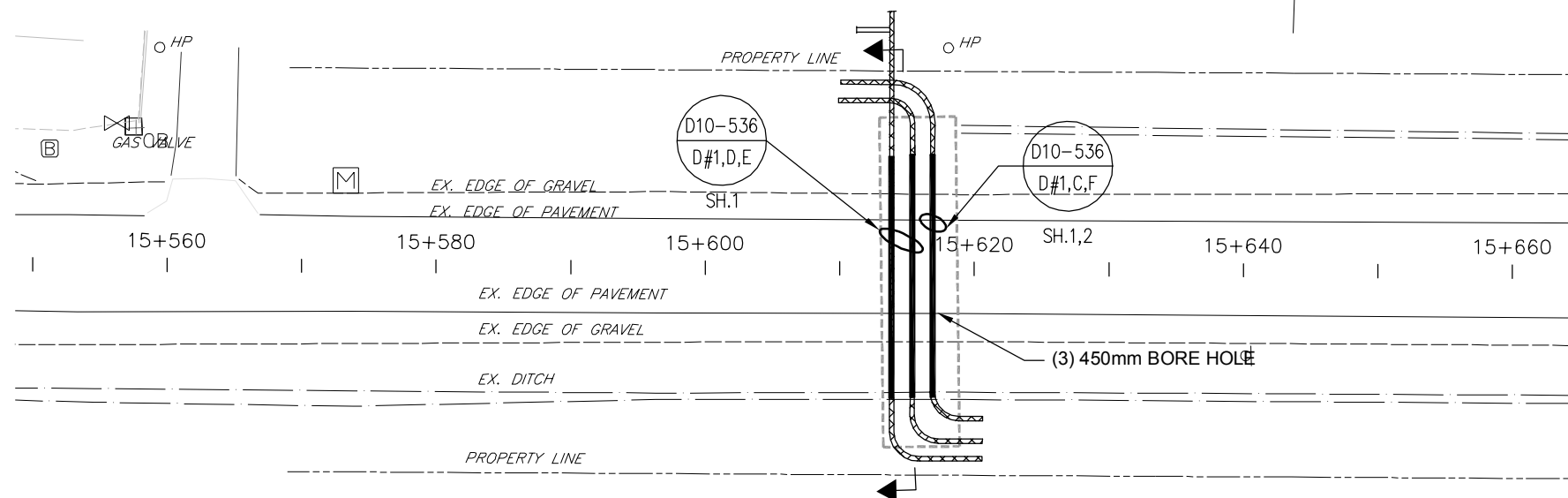
DATE: OCTOBER 2013

DWG. No.  
**LC-068-CROSSING**

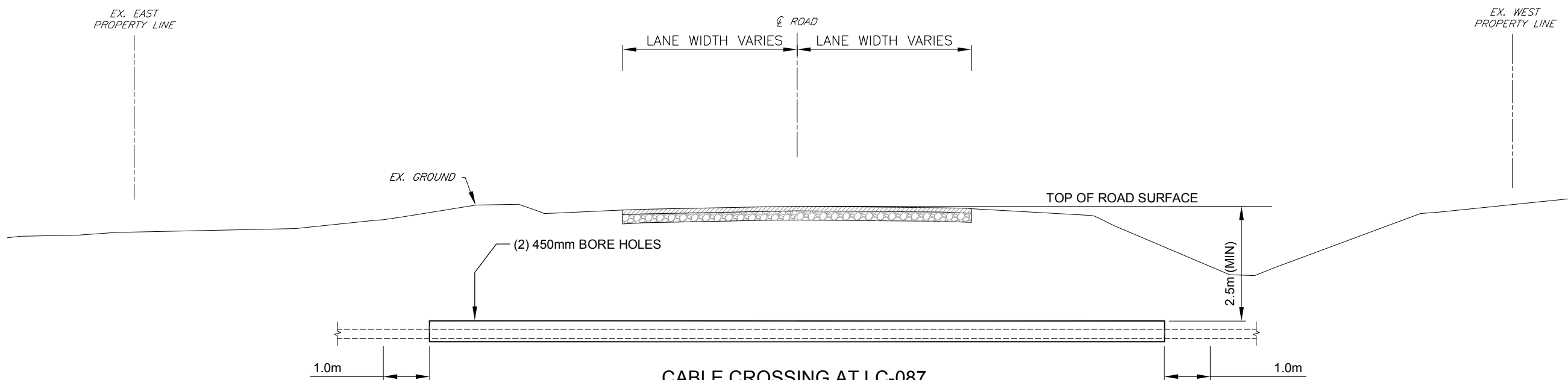
C.C. TATHAM & ASSOCIATES Ltd.  
FILE NO. 412414-1



# NORTHVILLE ROAD



HORZ. 1:500



**CABLE CROSSING AT LC-087  
NORTHVILLE ROAD AT TURBINE 45**

SCALE: 1:100

HORZ. 1:100

CONTRACT DRAWINGS  
CONTRACTOR MUST VERIFY ALL DIMENSIONS AND BE RESPONSIBLE FOR SAME. ANY DISCREPANCIES MUST BE REPORTED TO THE ENGINEER BEFORE COMMENCING WORK. DRAWINGS ARE NOT TO BE SCALED.

C.C. TATHAM & ASSOCIATES LTD. CLAIMS COPYRIGHT TO THIS DOCUMENT WHICH MAY NOT BE USED FOR ANY PURPOSE OTHER THAN THAT PROVIDED IN THE CONTRACT BETWEEN THE OWNER/CLIENT AND THE ENGINEER WITHOUT THE EXPRESS CONSENT OF C.C. TATHAM & ASSOCIATES LTD.

PIPE SIZES ARE IN MILLIMETRES UNLESS INDICATED. ELEVATIONS ARE IN METRES UNLESS INDICATED. ALL DIMENSIONS, ELEVATIONS AND SIZES ARE IN METRIC UNITS UNLESS INDICATED.

APPROVED FOR SUBMISSION



C.C. TATHAM & ASSOCIATES LTD. (CIVIL)

APPROVED FOR SUBMISSION



ONE LINE ENGINEERING INC. (ELECTRICAL)



**OneLine**

Engineering Inc. - Electrical Power Specialists  
Tel (905) 688-6857 Fax (905) 688-6926  
www.onelineeng.com



**C.C. Tatham & Associates Ltd.**  
Consulting Engineers

Collingwood Bracebridge Orillia Barrie

**NOT FOR CONSTRUCTION**

| NO. | REVISIONS                            | DATE     | INITIAL |
|-----|--------------------------------------|----------|---------|
| B   | RESUBMITTED TO COUNTY FOR PERMITTING | 12/05/13 | K.P.    |
| A   | INFORMATION FOR PERMITTING           | 06/11/13 | K.P.    |

**NEXTERA ENERGY CANADA, ULC  
JERICHO WIND ENERGY CENTRE  
CABLE CROSSING  
NORTHVILLE ROAD AT TURBINE 45**

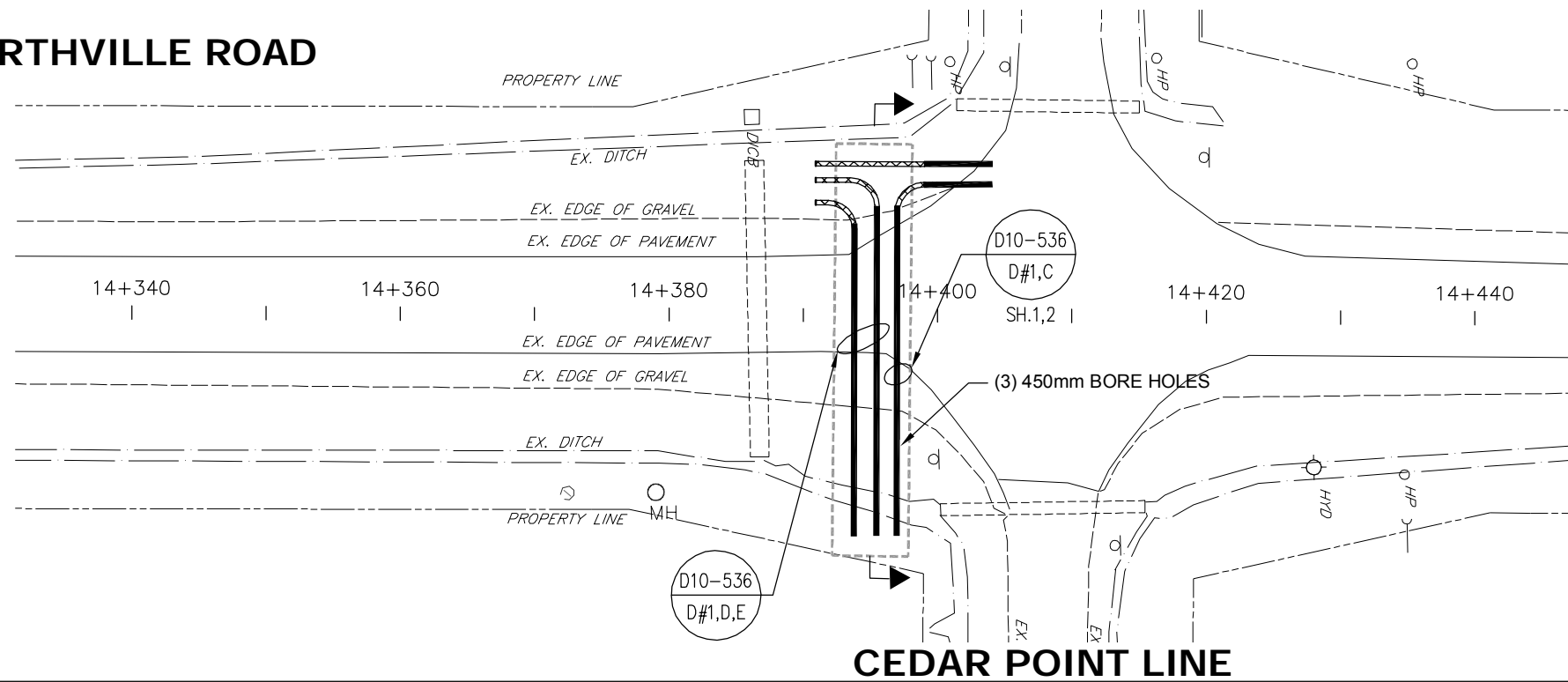
DWG. No.  
**LC-087-CROSSING**

SCALE: AS NOTED DATE: OCTOBER 2013

C.C. TATHAM & ASSOCIATES Ltd.  
FILE NO. 412414-1

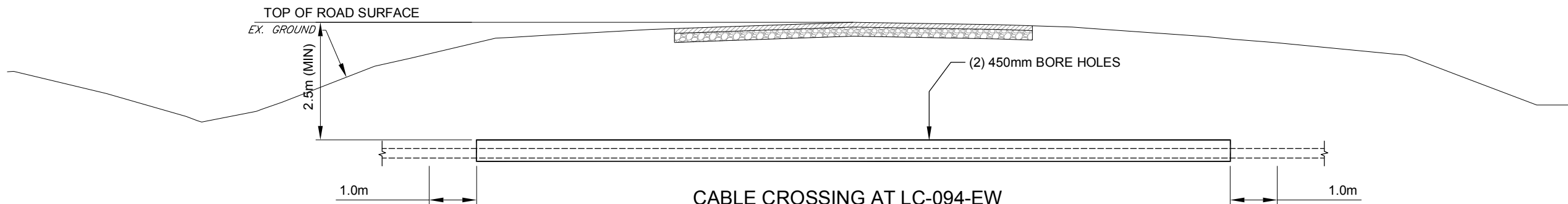
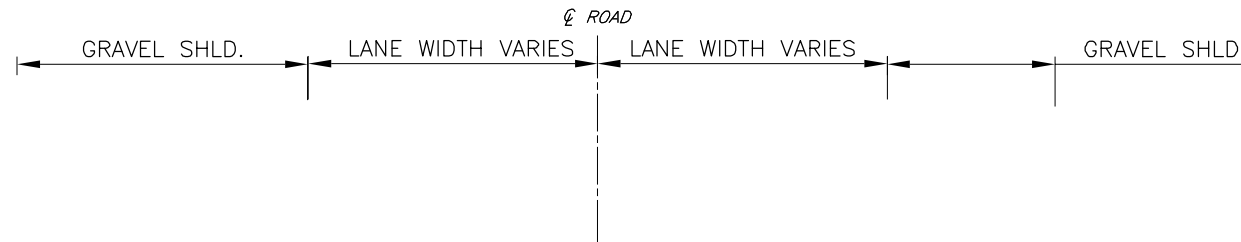


**NORTHVILLE ROAD**



**CEDAR POINT LINE**

HORZ. 1:500



**CABLE CROSSING AT LC-094-EW  
NORTHVILLE ROAD AT CEDAR POINT LINE**

SCALE: 1:100

HORZ. 1:100

CONTRACT DRAWINGS  
CONTRACTOR MUST VERIFY ALL DIMENSIONS AND BE RESPONSIBLE FOR SAME. ANY DISCREPANCIES MUST BE REPORTED TO THE ENGINEER BEFORE COMMENCING WORK. DRAWINGS ARE NOT TO BE SCALED.

C.C. TATHAM & ASSOCIATES LTD. CLAIMS COPYRIGHT TO THIS DOCUMENT WHICH MAY NOT BE USED FOR ANY PURPOSE OTHER THAN THAT PROVIDED IN THE CONTRACT BETWEEN THE OWNER/CLIENT AND THE ENGINEER WITHOUT THE EXPRESS CONSENT OF C.C. TATHAM & ASSOCIATES LTD.

PIPE SIZES ARE IN MILLIMETRES UNLESS INDICATED. ELEVATIONS ARE IN METRES UNLESS INDICATED. ALL DIMENSIONS, ELEVATIONS AND SIZES ARE IN METRIC UNITS UNLESS INDICATED.

APPROVED FOR SUBMISSION



C.C. TATHAM & ASSOCIATES LTD. (CIVIL)

APPROVED FOR SUBMISSION



ONE LINE ENGINEERING INC. (ELECTRICAL)



Tel (905) 688-6857 Fax (905) 688-6926  
www.onelineeng.com

**NOT FOR CONSTRUCTION**

| NO. | REVISIONS                            | DATE     | INITIAL |
|-----|--------------------------------------|----------|---------|
| B   | RESUBMITTED TO COUNTY FOR PERMITTING | 12/05/13 | K.P.    |
| A   | INFORMATION FOR PERMITTING           | 06/11/13 | K.P.    |

**NEXTERA ENERGY CANADA, ULC  
JERICO WIND ENERGY CENTRE  
CABLE CROSSING  
NORTHVILLE ROAD AT CEDAR POINT LINE**

SCALE: AS NOTED

DATE: OCTOBER 2013



**C.C. Tatham & Associates Ltd.**  
Consulting Engineers

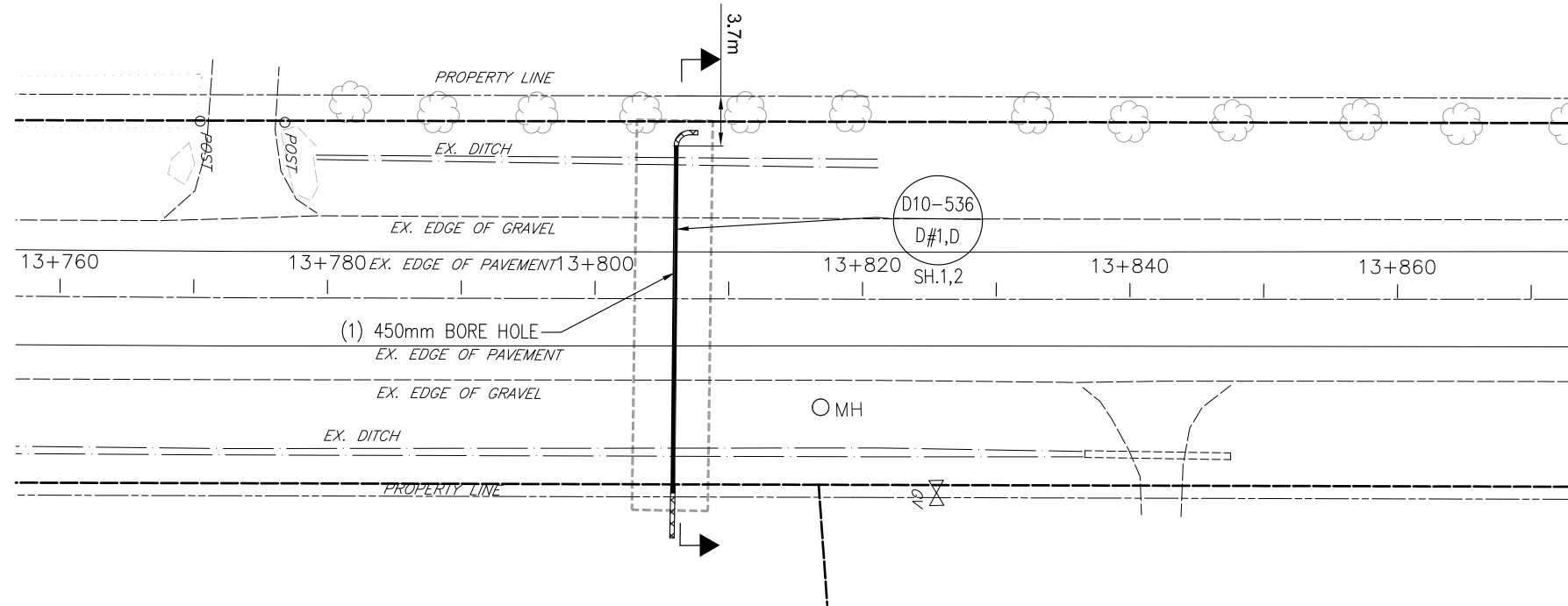
Collingwood Bracebridge Orillia Barrie

DWG. No.  
**LC-094-CROSSING**

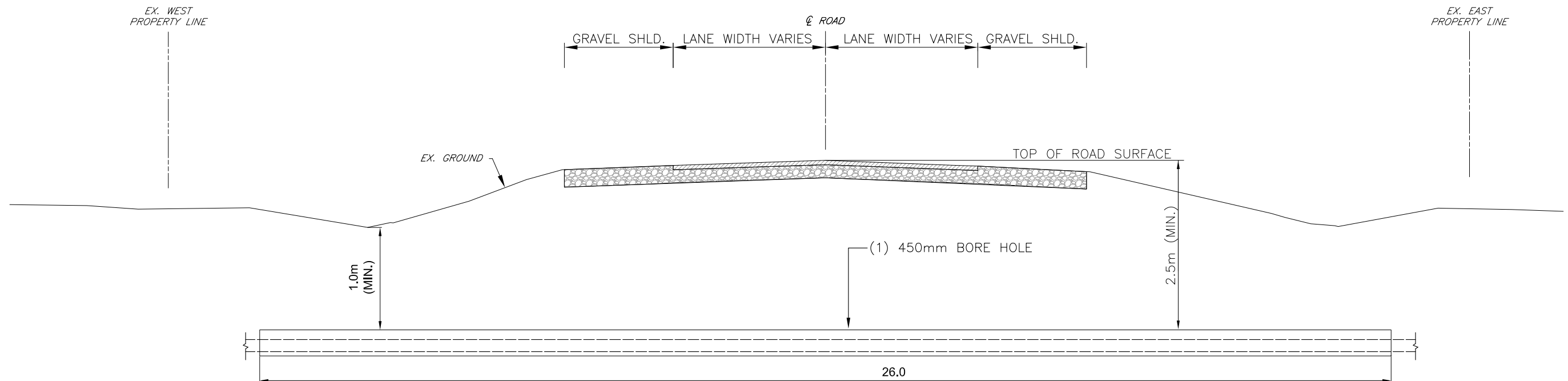
C.C. TATHAM & ASSOCIATES Ltd.  
FILE NO. 412414-1



# NORTHVILLE ROAD



HORZ. 1:500



CONTRACT DRAWINGS  
CONTRACTOR MUST VERIFY ALL DIMENSIONS AND BE RESPONSIBLE FOR SAME. ANY DISCREPANCIES MUST BE REPORTED TO THE ENGINEER BEFORE COMMENCING WORK. DRAWINGS ARE NOT TO BE SCALED.

C.C. TATHAM & ASSOCIATES LTD. CLAIMS COPYRIGHT TO THIS DOCUMENT WHICH MAY NOT BE USED FOR ANY PURPOSE OTHER THAN THAT PROVIDED IN THE CONTRACT BETWEEN THE OWNER/CLIENT AND THE ENGINEER WITHOUT THE EXPRESS CONSENT OF C.C. TATHAM & ASSOCIATES LTD.

PIPE SIZES ARE IN MILLIMETRES UNLESS INDICATED. ELEVATIONS ARE IN METRES UNLESS INDICATED. ALL DIMENSIONS, ELEVATIONS AND SIZES ARE IN METRIC UNITS UNLESS INDICATED.

APPROVED FOR SUBMISSION



C.C. TATHAM & ASSOCIATES LTD. (CIVIL)

APPROVED FOR SUBMISSION



ONE LINE ENGINEERING INC. (ELECTRICAL)



**One Line**

Engineering Inc. - Electrical Power Specialists

Tel (905) 688-6857 Fax (905) 688-6926  
www.onelineeng.com



**C.C. Tatham & Associates Ltd.**  
Consulting Engineers

Collingwood Bracebridge Orillia Barrie

**NOT FOR CONSTRUCTION**

|     |                            |          |         |
|-----|----------------------------|----------|---------|
|     | INFORMATION FOR PERMITTING | 12/05/13 | K.P.    |
| NO. | REVISIONS                  | DATE     | INITIAL |

**NEXTERA ENERGY CANADA, ULC  
JERICO WIND ENERGY CENTRE  
CABLE CROSSING  
NORTHVILLE ROAD AT TURBINE 58**

SCALE: AS NOTED

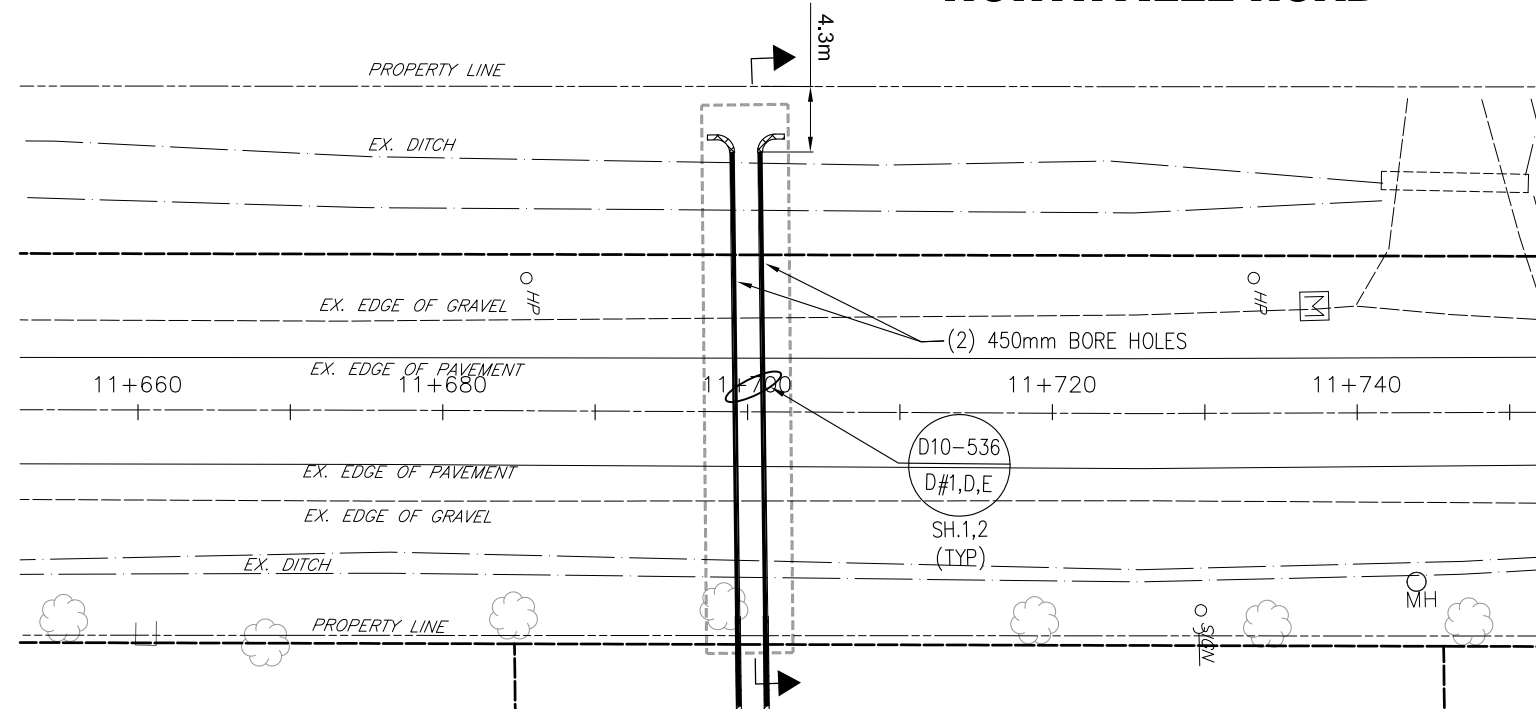
DATE: OCTOBER 2013

DWG. No.  
**LC-097-CROSSING**

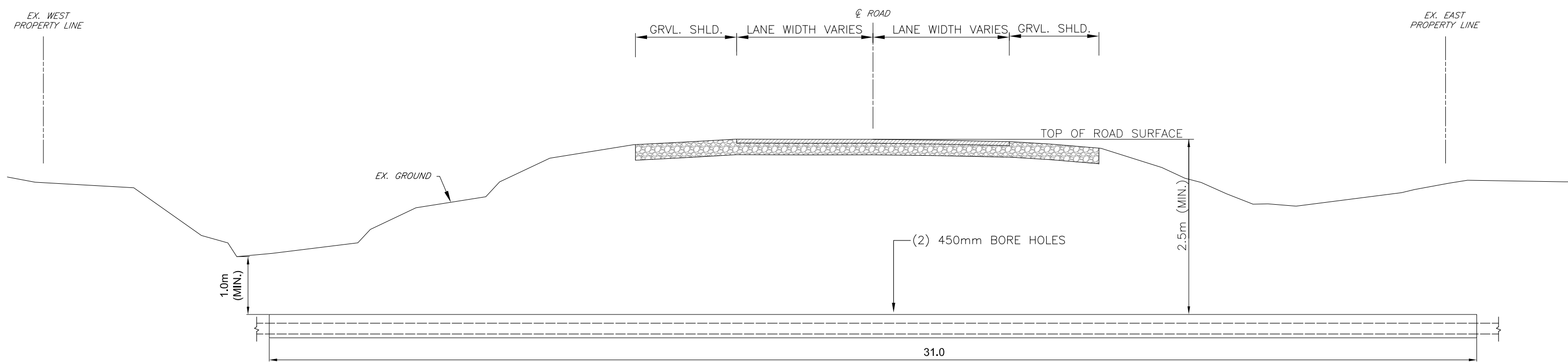
C.C. TATHAM & ASSOCIATES Ltd.  
FILE NO. 412414-1



# NORTHVILLE ROAD



HORZ. 1:500



HORZ. 1:100

CONTRACT DRAWINGS  
CONTRACTOR MUST VERIFY ALL DIMENSIONS AND BE RESPONSIBLE FOR SAME. ANY DISCREPANCIES MUST BE REPORTED TO THE ENGINEER BEFORE COMMENCING WORK. DRAWINGS ARE NOT TO BE SCALED.

C.C. TATHAM & ASSOCIATES LTD. CLAIMS COPYRIGHT TO THIS DOCUMENT WHICH MAY NOT BE USED FOR ANY PURPOSE OTHER THAN THAT PROVIDED IN THE CONTRACT BETWEEN THE OWNER/CLIENT AND THE ENGINEER WITHOUT THE EXPRESS CONSENT OF C.C. TATHAM & ASSOCIATES LTD.

PIPE SIZES ARE IN MILLIMETRES UNLESS INDICATED. ELEVATIONS ARE IN METRES UNLESS INDICATED. ALL DIMENSIONS, ELEVATIONS AND SIZES ARE IN METRIC UNITS UNLESS INDICATED.

APPROVED FOR SUBMISSION



C.C. TATHAM & ASSOCIATES LTD. (CIVIL)

APPROVED FOR SUBMISSION



ONE LINE ENGINEERING INC. (ELECTRICAL)



**One Line**

Engineering Inc. - Electrical Power Specialists

Tel (905) 688-6857 Fax (905) 688-6926  
www.onelineeng.com



**C.C. Tatham & Associates Ltd.**  
Consulting Engineers

Collingwood Bracebridge Orillia Barrie

**NOT FOR CONSTRUCTION**

| NO. | REVISIONS                  | DATE     | INITIAL |
|-----|----------------------------|----------|---------|
| A   | INFORMATION FOR PERMITTING | 12/05/13 | K.P.    |

**NEXTERA ENERGY CANADA, ULC  
JERICHO WIND ENERGY CENTRE  
CABLE CROSSING  
NORTHVILLE ROAD AT TURBINE 60**

SCALE: AS NOTED

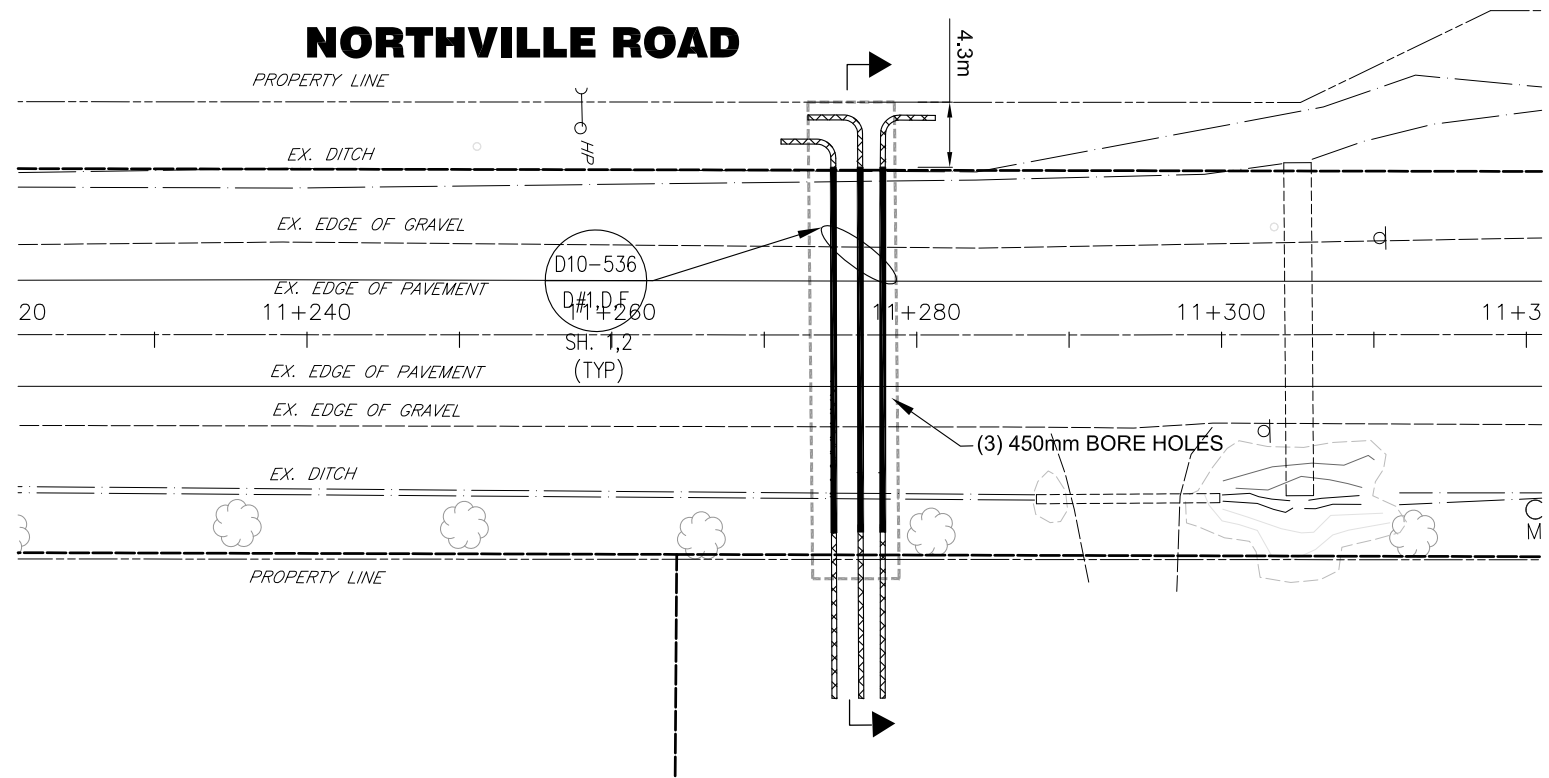
DATE: OCTOBER 2013

DWG. No.  
**LC-108-CROSSING**

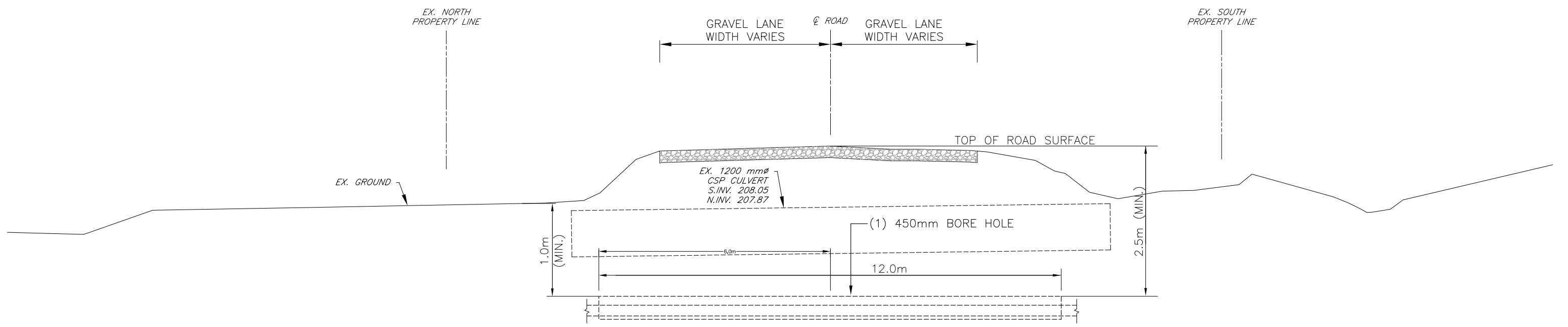
C.C. TATHAM & ASSOCIATES Ltd.  
FILE NO. 412414-1



# NORTHVILLE ROAD



HORZ. 1:500



HORZ. 1:100

CONTRACT DRAWINGS  
CONTRACTOR MUST VERIFY ALL DIMENSIONS AND BE RESPONSIBLE FOR SAME. ANY DISCREPANCIES MUST BE REPORTED TO THE ENGINEER BEFORE COMMENCING WORK. DRAWINGS ARE NOT TO BE SCALED.

C.C. TATHAM & ASSOCIATES LTD. CLAIMS COPYRIGHT TO THIS DOCUMENT WHICH MAY NOT BE USED FOR ANY PURPOSE OTHER THAN THAT PROVIDED IN THE CONTRACT BETWEEN THE OWNER/CLIENT AND THE ENGINEER WITHOUT THE EXPRESS CONSENT OF C.C. TATHAM & ASSOCIATES LTD.

PIPE SIZES ARE IN MILLIMETRES UNLESS INDICATED. ELEVATIONS ARE IN METRES UNLESS INDICATED. ALL DIMENSIONS, ELEVATIONS AND SIZES ARE IN METRIC UNITS UNLESS INDICATED.

APPROVED FOR SUBMISSION

B.F. STANTON  
100145043  
DEC 5/12  
PROVINCE OF ONTARIO

C.C. TATHAM & ASSOCIATES LTD. (CIVIL)

APPROVED FOR SUBMISSION

K.A. PATEL  
100145043  
20/DEC/2012  
PROVINCE OF ONTARIO

ONE LINE ENGINEERING INC. (ELECTRICAL)



**One Line**  
Engineering Inc. - Electrical Power Specialists  
Tel (905) 688-6857 Fax (905) 688-6926  
www.onelineeng.com

**C.C. Tatham & Associates Ltd.**  
Consulting Engineers  
Collingwood Bracebridge Orillia Barrie

**NOT FOR CONSTRUCTION**

|     |                            |          |         |
|-----|----------------------------|----------|---------|
| NO. | REVISIONS                  | DATE     | INITIAL |
| A   | INFORMATION FOR PERMITTING | 12/05/13 | K.P.    |

**NEXTERA ENERGY CANADA, ULC  
JERICHO WIND ENERGY CENTRE  
CABLE CROSSING  
NORTHVILLE ROAD AT TURBINE 61**

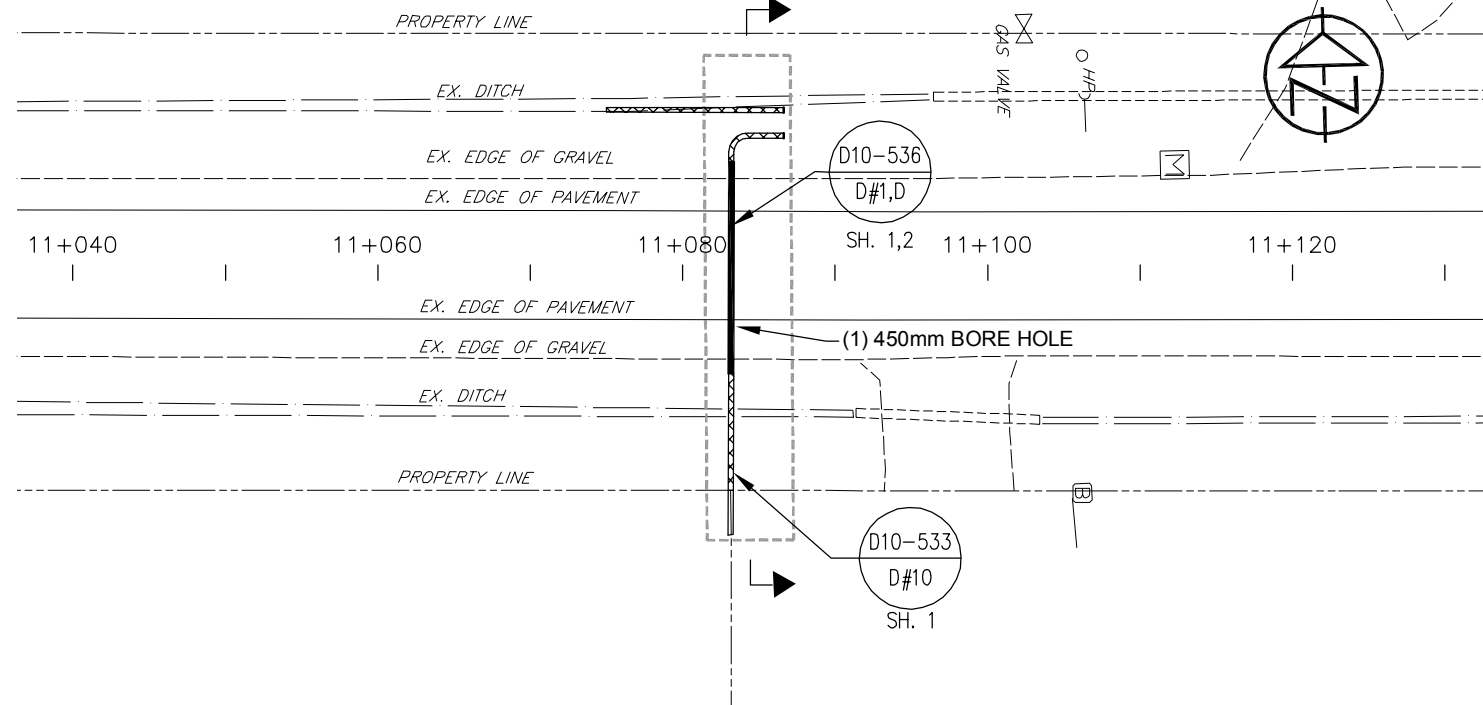
SCALE: AS NOTED  
DATE: OCTOBER 2013

DWG. No.  
**LC-111-CROSSING**

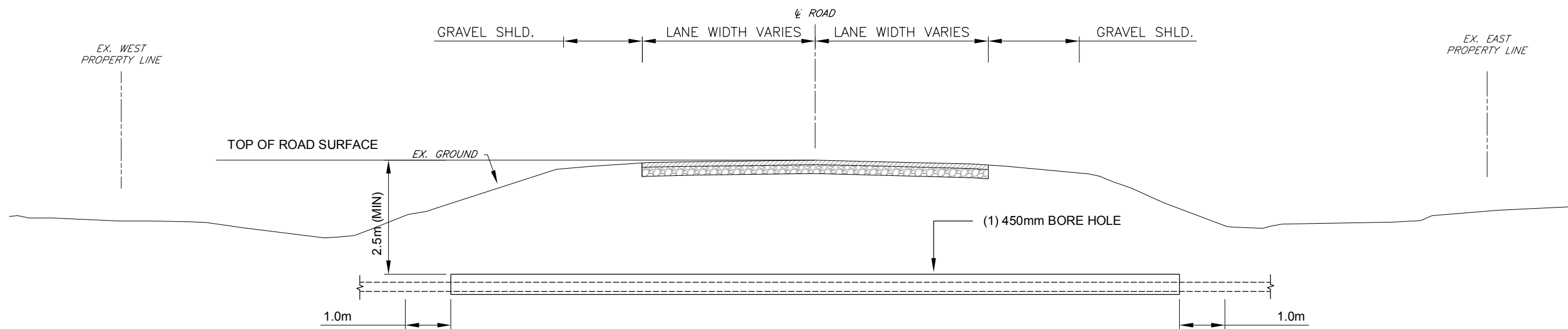
C.C. TATHAM & ASSOCIATES Ltd.  
FILE NO. 412414-1



# NORTHVILLE ROAD



HORZ. 1:500



**CABLE CROSSING AT LC-112  
NORTHVILLE ROAD AT TURBINE 62**  
SCALE: 1:100

HORZ. 1:100

CONTRACT DRAWINGS  
CONTRACTOR MUST VERIFY ALL DIMENSIONS AND BE RESPONSIBLE FOR SAME. ANY DISCREPANCIES MUST BE REPORTED TO THE ENGINEER BEFORE COMMENCING WORK. DRAWINGS ARE NOT TO BE SCALED.

C.C. TATHAM & ASSOCIATES LTD. CLAIMS COPYRIGHT TO THIS DOCUMENT WHICH MAY NOT BE USED FOR ANY PURPOSE OTHER THAN THAT PROVIDED IN THE CONTRACT BETWEEN THE OWNER/CLIENT AND THE ENGINEER WITHOUT THE EXPRESS CONSENT OF C.C. TATHAM & ASSOCIATES LTD.

PIPE SIZES ARE IN MILLIMETRES UNLESS INDICATED. ELEVATIONS ARE IN METRES UNLESS INDICATED. ALL DIMENSIONS, ELEVATIONS AND SIZES ARE IN METRIC UNITS UNLESS INDICATED.

APPROVED FOR SUBMISSION



C.C. TATHAM & ASSOCIATES LTD. (CIVIL)

APPROVED FOR SUBMISSION



ONE LINE ENGINEERING INC. (ELECTRICAL)



**OneLine**

Engineering Inc. - Electrical Power Specialists  
Tel (905) 688-6857 Fax (905) 688-6926  
www.onelineeng.com



**C.C. Tatham & Associates Ltd.**  
Consulting Engineers

Collingwood Bracebridge Orillia Barrie

**NOT FOR CONSTRUCTION**

| NO. | REVISIONS                            | DATE     | INITIAL |
|-----|--------------------------------------|----------|---------|
| B   | RESUBMITTED TO COUNTY FOR PERMITTING | 12/05/13 | K.P.    |
| A   | INFORMATION FOR PERMITTING           | 06/11/13 | K.P.    |

**NEXTERA ENERGY CANADA, ULC  
JERICHO WIND ENERGY CENTRE  
CABLE CROSSING  
NORTHVILLE ROAD AT TURBINE 62**

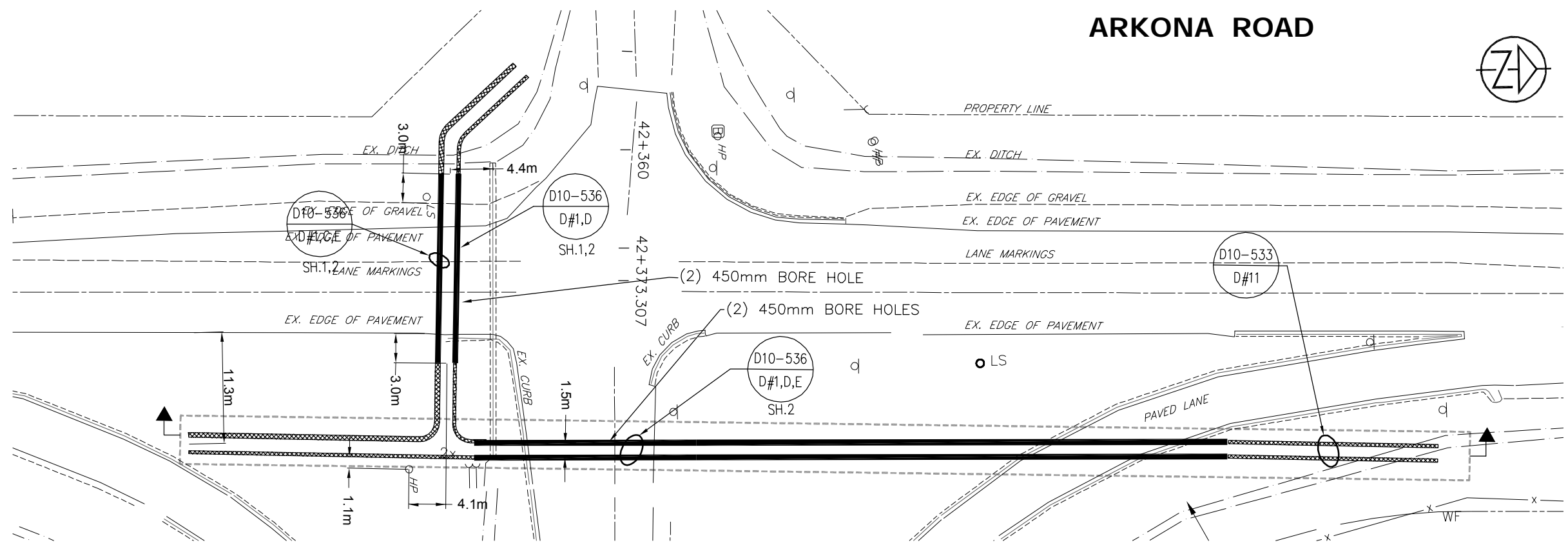
DWG. No.  
**LC-112-CROSSING**

SCALE: AS NOTED DATE: OCTOBER 2013

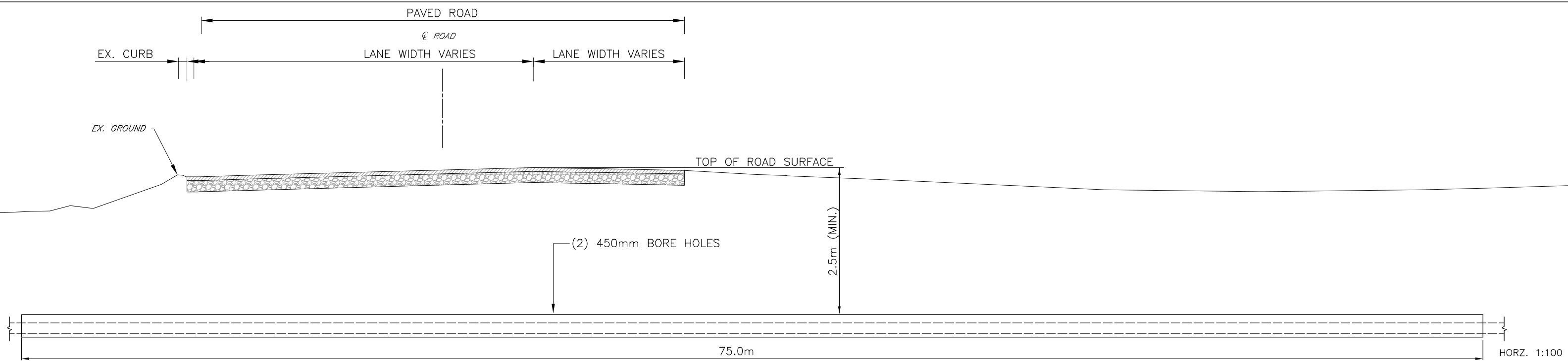
C.C. TATHAM & ASSOCIATES Ltd.  
FILE NO. 412414-1



# ARKONA ROAD



HORZ. 1:500



HORZ. 1:100

CONTRACT DRAWINGS  
CONTRACTOR MUST VERIFY ALL DIMENSIONS AND BE RESPONSIBLE FOR SAME. ANY DISCREPANCIES MUST BE REPORTED TO THE ENGINEER BEFORE COMMENCING WORK. DRAWINGS ARE NOT TO BE SCALED.

C.C. TATHAM & ASSOCIATES LTD. CLAIMS COPYRIGHT TO THIS DOCUMENT WHICH MAY NOT BE USED FOR ANY PURPOSE OTHER THAN THAT PROVIDED IN THE CONTRACT BETWEEN THE OWNER/CLIENT AND THE ENGINEER WITHOUT THE EXPRESS CONSENT OF C.C. TATHAM & ASSOCIATES LTD.

PIPE SIZES ARE IN MILLIMETRES UNLESS INDICATED. ELEVATIONS ARE IN METRES UNLESS INDICATED. ALL DIMENSIONS, ELEVATIONS AND SIZES ARE IN METRIC UNITS UNLESS INDICATED.

APPROVED FOR SUBMISSION

C.C. TATHAM & ASSOCIATES LTD. (CIVIL)

APPROVED FOR SUBMISSION

ONE LINE ENGINEERING INC. (ELECTRICAL)



**OneLine**  
Engineering Inc. - Electrical Power Specialists  
Tel (905) 688-6857 Fax (905) 688-6926  
www.onelineeng.com



**C.C. Tatham & Associates Ltd.**  
Consulting Engineers  
Collingwood Bracadrigde Orillia Barrie

| NOT FOR CONSTRUCTION |                                      |          |         |
|----------------------|--------------------------------------|----------|---------|
| NO.                  | REVISIONS                            | DATE     | INITIAL |
| B                    | RESUBMITTED TO COUNTY FOR PERMITTING | 12/05/13 | K.P.    |
| A                    | INFORMATION FOR PERMITTING           | 06/11/13 | K.P.    |

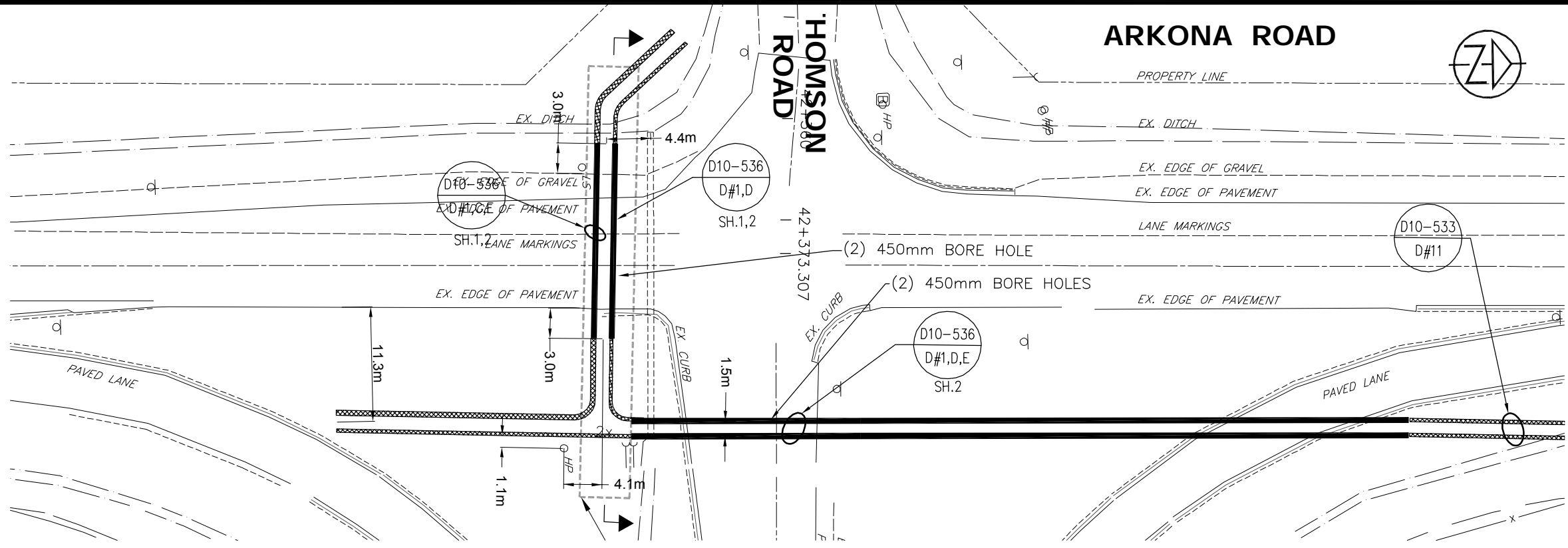
**NEXTERA ENERGY CANADA, ULC**  
**JERICHO WIND ENERGY CENTRE**  
**CABLE CROSSING**  
**ARKONA ROAD AT ELGINFIELD ROAD SOUTH**

SCALE: AS NOTED      DATE: OCTOBER 2013

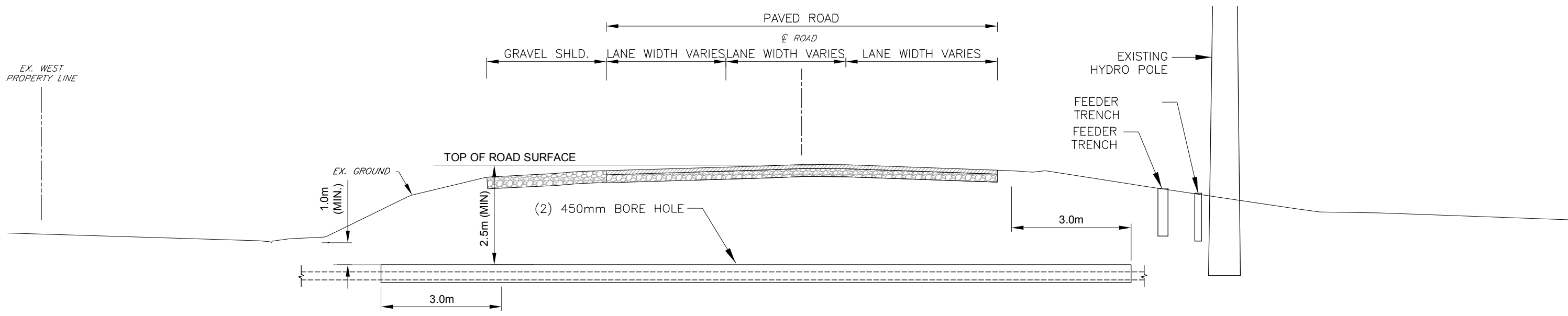
DWG. No.  
**LC-114-CROSSING**

C.C. TATHAM & ASSOCIATES Ltd.  
FILE NO. 412414-1





HORZ. 1:500



HORZ. 1:100

CONTRACT DRAWINGS  
CONTRACTOR MUST VERIFY ALL DIMENSIONS AND BE RESPONSIBLE FOR SAME. ANY DISCREPANCIES MUST BE REPORTED TO THE ENGINEER BEFORE COMMENCING WORK. DRAWINGS ARE NOT TO BE SCALED.

C.C. TATHAM & ASSOCIATES LTD. CLAIMS COPYRIGHT TO THIS DOCUMENT WHICH MAY NOT BE USED FOR ANY PURPOSE OTHER THAN THAT PROVIDED IN THE CONTRACT BETWEEN THE OWNER/CLIENT AND THE ENGINEER WITHOUT THE EXPRESS CONSENT OF C.C. TATHAM & ASSOCIATES LTD.

PIPE SIZES ARE IN MILLIMETRES UNLESS INDICATED. ELEVATIONS ARE IN METRES UNLESS INDICATED. ALL DIMENSIONS, ELEVATIONS AND SIZES ARE IN METRIC UNITS UNLESS INDICATED.

APPROVED FOR SUBMISSION

C.C. TATHAM & ASSOCIATES LTD. (CIVIL)

APPROVED FOR SUBMISSION

ONE LINE ENGINEERING INC. (ELECTRICAL)

**NEXTERA ENERGY**  
CANADA

**OneLine**  
Engineering Inc. - Electrical Power Specialists

Tel (905) 688-6857 Fax (905) 688-6926  
www.onelineeng.com

**C.C. Tatham & Associates Ltd.**  
Consulting Engineers

Collingwood    Braccabridge    Orillia    Barrie

| <b>NOT FOR CONSTRUCTION</b> |                                      |          |         |
|-----------------------------|--------------------------------------|----------|---------|
| B                           | RESUBMITTED TO COUNTY FOR PERMITTING | 12/05/13 | K.P.    |
| A                           | INFORMATION FOR PERMITTING           | 06/11/13 | K.P.    |
| NO.                         | REVISIONS                            | DATE     | INITIAL |

**NEXTERA ENERGY CANADA, ULC  
JERICO WIND ENERGY CENTRE  
CABLE CROSSING  
ARKONA AT THOMSON LINE EAST**

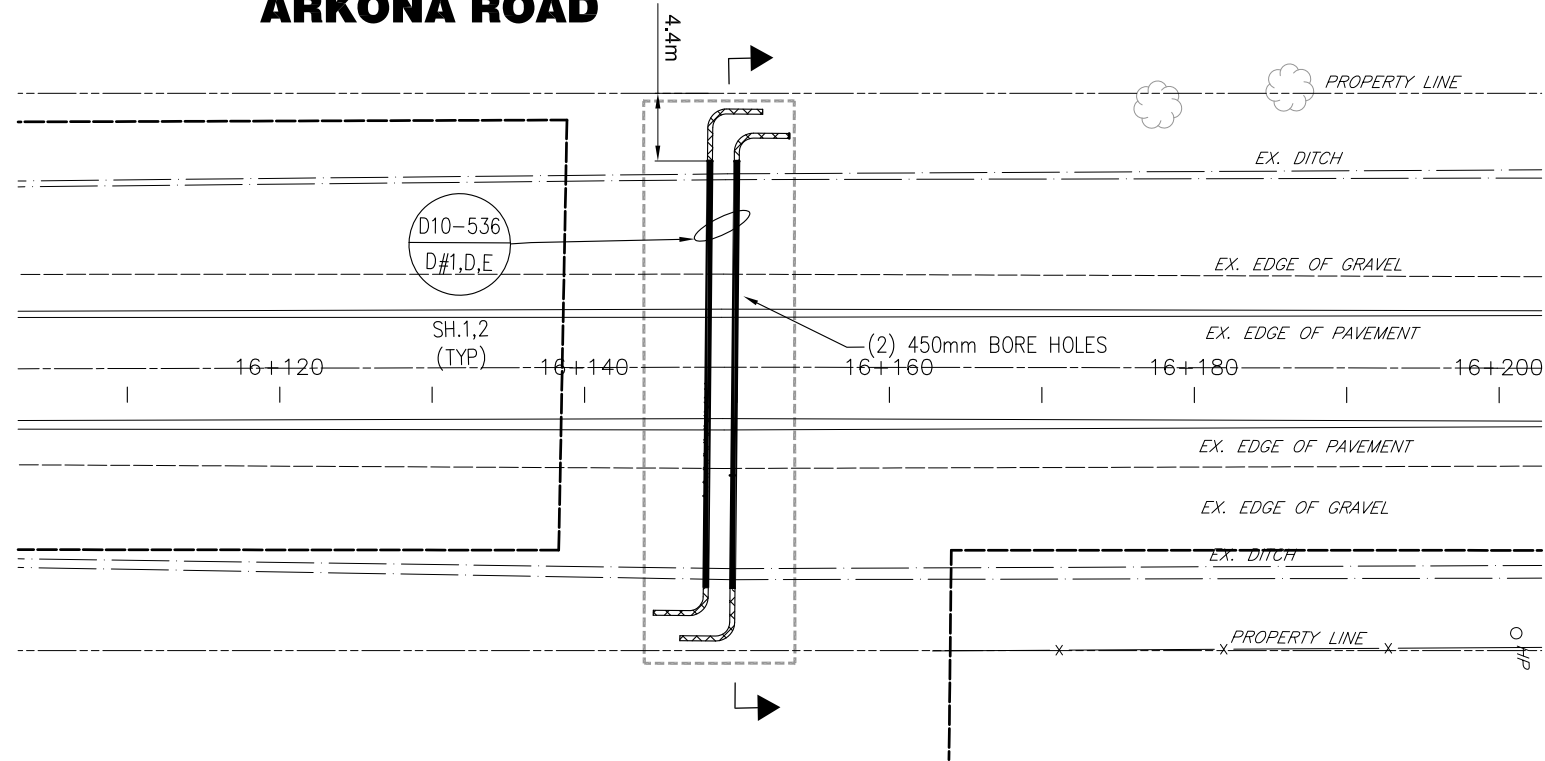
SCALE: AS NOTED      DATE: OCTOBER 2013

DWG. No.  
**LC-115-CROSSING**

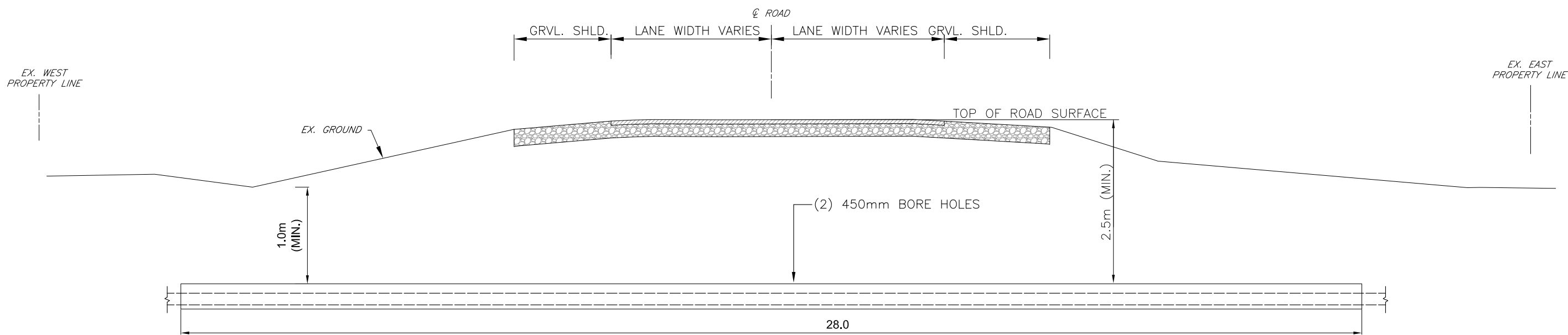
C.C. TATHAM & ASSOCIATES Ltd.  
FILE NO. 412414-1



# ARKONA ROAD



HORZ. 1:500



HORZ. 1:100

CONTRACT DRAWINGS  
CONTRACTOR MUST VERIFY ALL DIMENSIONS AND BE RESPONSIBLE FOR SAME. ANY DISCREPANCIES MUST BE REPORTED TO THE ENGINEER BEFORE COMMENCING WORK. DRAWINGS ARE NOT TO BE SCALED.

C.C. TATHAM & ASSOCIATES LTD. CLAIMS COPYRIGHT TO THIS DOCUMENT WHICH MAY NOT BE USED FOR ANY PURPOSE OTHER THAN THAT PROVIDED IN THE CONTRACT BETWEEN THE OWNER/CLIENT AND THE ENGINEER WITHOUT THE EXPRESS CONSENT OF C.C. TATHAM & ASSOCIATES LTD.

PIPE SIZES ARE IN MILLIMETRES UNLESS INDICATED. ELEVATIONS ARE IN METRES UNLESS INDICATED. ALL DIMENSIONS, ELEVATIONS AND SIZES ARE IN METRIC UNITS UNLESS INDICATED.

APPROVED FOR SUBMISSION



C.C. TATHAM & ASSOCIATES LTD. (CIVIL)

APPROVED FOR SUBMISSION



ONE LINE ENGINEERING INC. (ELECTRICAL)



**One Line**

Engineering Inc. - Electrical Power Specialists

Tel (905) 688-6857 Fax (905) 688-6926  
www.onelineeng.com

**NOT FOR CONSTRUCTION**

| NO. | REVISIONS                  | DATE     | INITIAL |
|-----|----------------------------|----------|---------|
| A   | INFORMATION FOR PERMITTING | 12/05/13 | K.P.    |

**NEXTERA ENERGY CANADA, ULC**  
**JERICHO WIND ENERGY CENTRE**  
**CABLE CROSSING**  
**ARKONA ROAD**

SCALE: AS NOTED

DATE: OCTOBER 2013

DWG. No.  
**LC-122-CROSSING**

C.C. TATHAM & ASSOCIATES Ltd.  
FILE NO. 412414-1

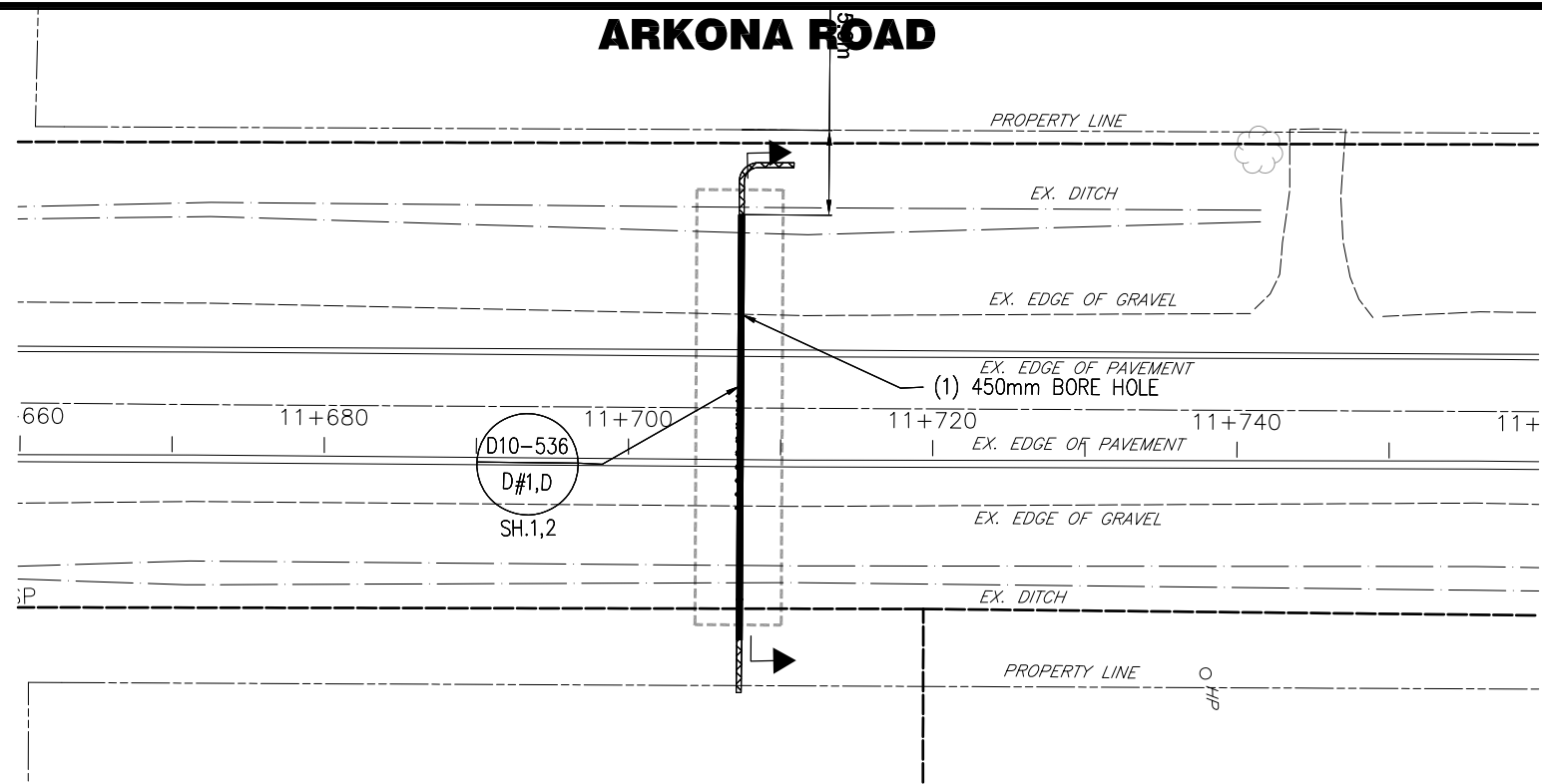


**C.C. Tatham & Associates Ltd.**  
Consulting Engineers

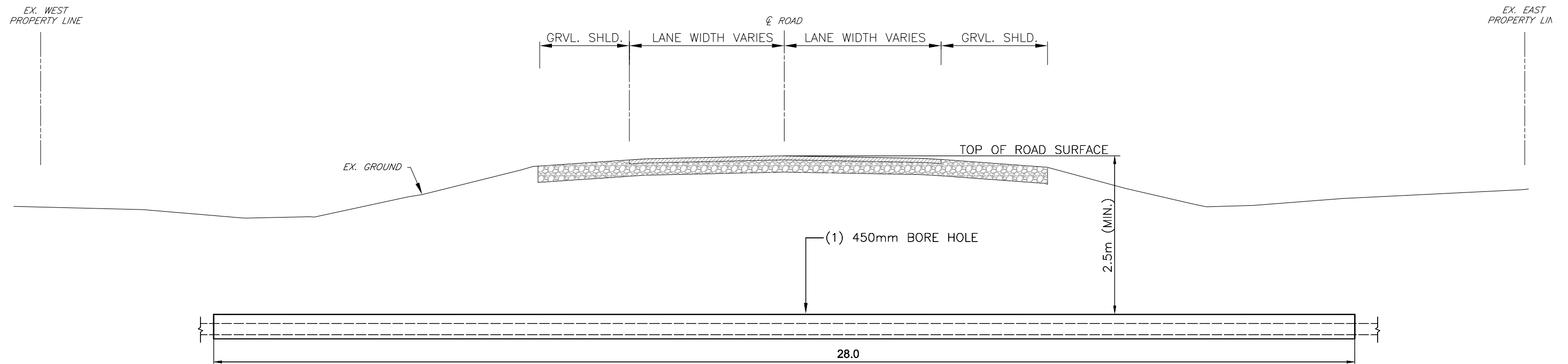
Collingwood Bracebridge Orillia Barrie



# ARKONA ROAD



HORZ. 1:500



CONTRACT DRAWINGS  
CONTRACTOR MUST VERIFY ALL DIMENSIONS AND BE RESPONSIBLE FOR SAME. ANY DISCREPANCIES MUST BE REPORTED TO THE ENGINEER BEFORE COMMENCING WORK. DRAWINGS ARE NOT TO BE SCALED.

C.C. TATHAM & ASSOCIATES LTD. CLAIMS COPYRIGHT TO THIS DOCUMENT WHICH MAY NOT BE USED FOR ANY PURPOSE OTHER THAN THAT PROVIDED IN THE CONTRACT BETWEEN THE OWNER/CLIENT AND THE ENGINEER WITHOUT THE EXPRESS CONSENT OF C.C. TATHAM & ASSOCIATES LTD.

PIPE SIZES ARE IN MILLIMETRES UNLESS INDICATED. ELEVATIONS ARE IN METRES UNLESS INDICATED. ALL DIMENSIONS, ELEVATIONS AND SIZES ARE IN METRIC UNITS UNLESS INDICATED.

APPROVED FOR SUBMISSION



C.C. TATHAM & ASSOCIATES LTD. (CIVIL)

APPROVED FOR SUBMISSION



ONE LINE ENGINEERING INC. (ELECTRICAL)



**One Line**

Engineering Inc. - Electrical Power Specialists

Tel (905) 688-6857 Fax (905) 688-6926  
www.onelineeng.com



**C.C. Tatham & Associates Ltd.**  
Consulting Engineers

Collingwood Bracebridge Orillia Barrie

**NOT FOR CONSTRUCTION**

| NO. | REVISIONS                  | DATE     | INITIAL |
|-----|----------------------------|----------|---------|
| A   | INFORMATION FOR PERMITTING | 12/05/13 | K.P.    |

**NEXTERA ENERGY CANADA, ULC**  
**JERICO WIND ENERGY CENTRE**  
**CABLE CROSSING**  
**ARKONA ROAD AT TURBINE 108**

DWG. No.  
**LC-141-CROSSING**

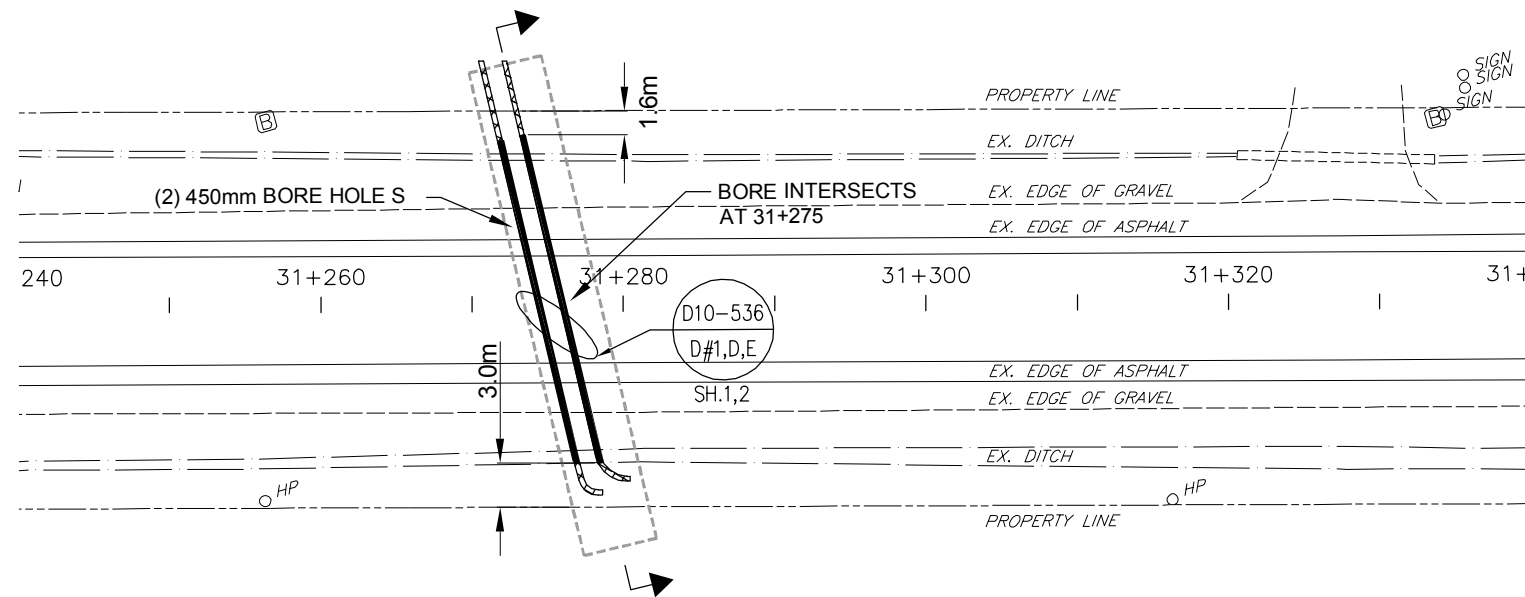
C.C. TATHAM & ASSOCIATES Ltd.  
FILE NO. 412414-1

SCALE: AS NOTED

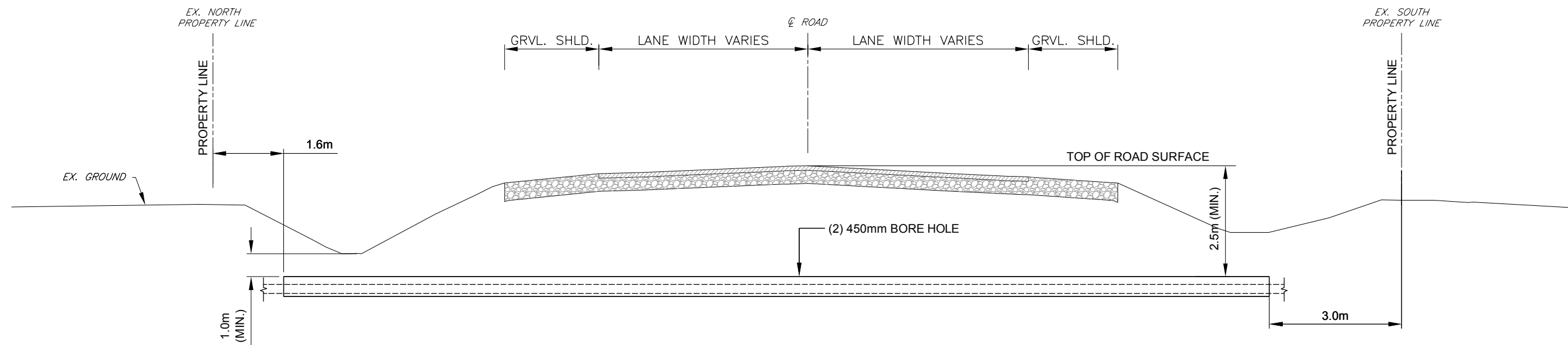
DATE: OCTOBER 2013



# TOWNSEND LINE



HORZ. 1:500



HORZ. 1:100

CONTRACT DRAWINGS  
CONTRACTOR MUST VERIFY ALL DIMENSIONS AND BE RESPONSIBLE FOR SAME. ANY DISCREPANCIES MUST BE REPORTED TO THE ENGINEER BEFORE COMMENCING WORK. DRAWINGS ARE NOT TO BE SCALED.

C.C. TATHAM & ASSOCIATES LTD. CLAIMS COPYRIGHT TO THIS DOCUMENT WHICH MAY NOT BE USED FOR ANY PURPOSE OTHER THAN THAT PROVIDED IN THE CONTRACT BETWEEN THE OWNER/CLIENT AND THE ENGINEER WITHOUT THE EXPRESS CONSENT OF C.C. TATHAM & ASSOCIATES LTD.

PIPE SIZES ARE IN MILLIMETRES UNLESS INDICATED. ELEVATIONS ARE IN METRES UNLESS INDICATED. ALL DIMENSIONS, ELEVATIONS AND SIZES ARE IN METRIC UNITS UNLESS INDICATED.

APPROVED FOR SUBMISSION



C.C. TATHAM & ASSOCIATES LTD. (CIVIL)

APPROVED FOR SUBMISSION



ONE LINE ENGINEERING INC. (ELECTRICAL)



Tel (905) 688-6857 Fax (905) 688-6926  
www.onelineeng.com



C.C. Tatham & Associates Ltd.  
Consulting Engineers

Collingwood Bracebridge Orillia Barrie

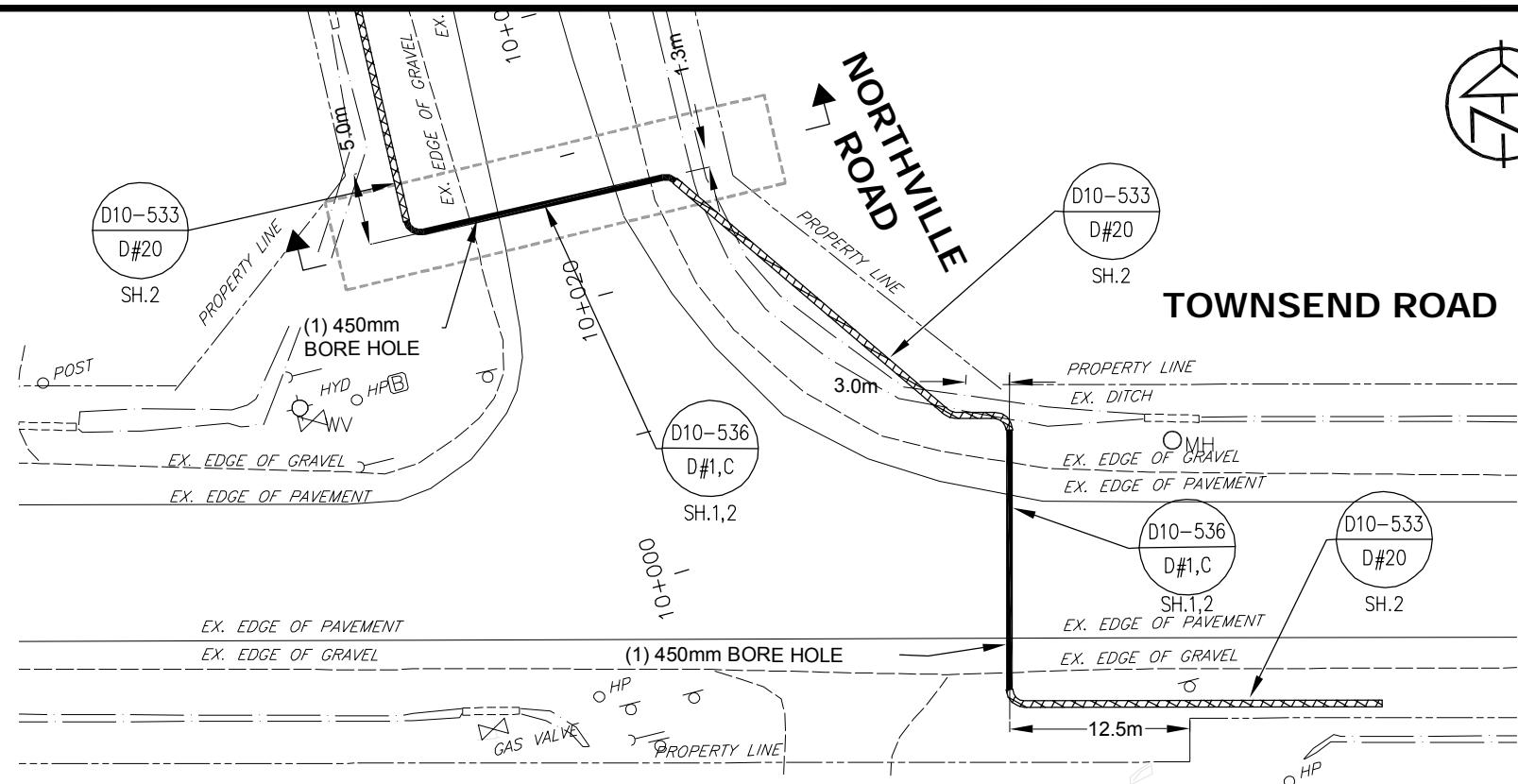
**NOT FOR CONSTRUCTION**

| NO. | REVISIONS                            | DATE     | INITIAL |
|-----|--------------------------------------|----------|---------|
| B   | RESUBMITTED TO COUNTY FOR PERMITTING | 12/05/13 | K.P.    |
| A   | INFORMATION FOR PERMITTING           | 06/11/13 | K.P.    |

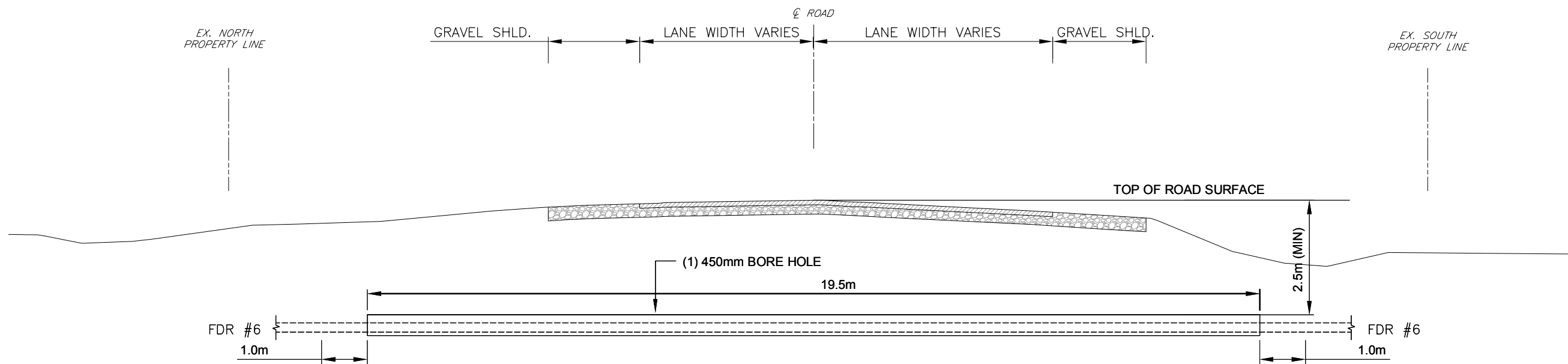
|  |                    |
|--|--------------------|
| <b>NEXTERA ENERGY CANADA, ULC<br/>JERICO WIND ENERGY CENTRE<br/>CABLE CROSSING<br/>TOWNSEND LINE AT TURBINE 38</b> |                    |
| SCALE: AS NOTED  | DATE: OCTOBER 2013 |

|  |
|--|
| DWG. No.<br><b>LC-142-CROSSING</b>                 |
| C.C. TATHAM & ASSOCIATES Ltd.<br>FILE NO. 412414-1 |





HORZ. 1:500



HORZ. 1:100

CONTRACT DRAWINGS  
 CONTRACTOR MUST VERIFY ALL DIMENSIONS AND BE RESPONSIBLE FOR SAME. ANY DISCREPANCIES MUST BE REPORTED TO THE ENGINEER BEFORE COMMENCING WORK. DRAWINGS ARE NOT TO BE SCALED.

C.C. TATHAM & ASSOCIATES LTD. CLAIMS COPYRIGHT TO THIS DOCUMENT WHICH MAY NOT BE USED FOR ANY PURPOSE OTHER THAN THAT PROVIDED IN THE CONTRACT BETWEEN THE OWNER/CLIENT AND THE ENGINEER WITHOUT THE EXPRESS CONSENT OF C.C. TATHAM & ASSOCIATES LTD.

PIPE SIZES ARE IN MILLIMETRES UNLESS INDICATED. ELEVATIONS ARE IN METRES UNLESS INDICATED. ALL DIMENSIONS, ELEVATIONS AND SIZES ARE IN METRIC UNITS UNLESS INDICATED.

APPROVED FOR SUBMISSION

C.C. TATHAM & ASSOCIATES LTD. (CIVIL)

APPROVED FOR SUBMISSION

ONE LINE ENGINEERING INC. (ELECTRICAL)



**OneLine**  
 Engineering Inc. - Electrical Power Specialists  
 Tel (905) 688-6857 Fax (905) 688-6926  
 www.onelineeng.com

**C.C. Tatham & Associates Ltd.**  
 Consulting Engineers  
 Collingwood Bracebridge Orillia Barrie

NOT FOR CONSTRUCTION

| NO. | REVISIONS                            | DATE     | INITIAL |
|-----|--------------------------------------|----------|---------|
| B   | RESUBMITTED TO COUNTY FOR PERMITTING | 12/05/13 | K.P.    |
| A   | INFORMATION FOR PERMITTING           | 06/11/13 | K.P.    |

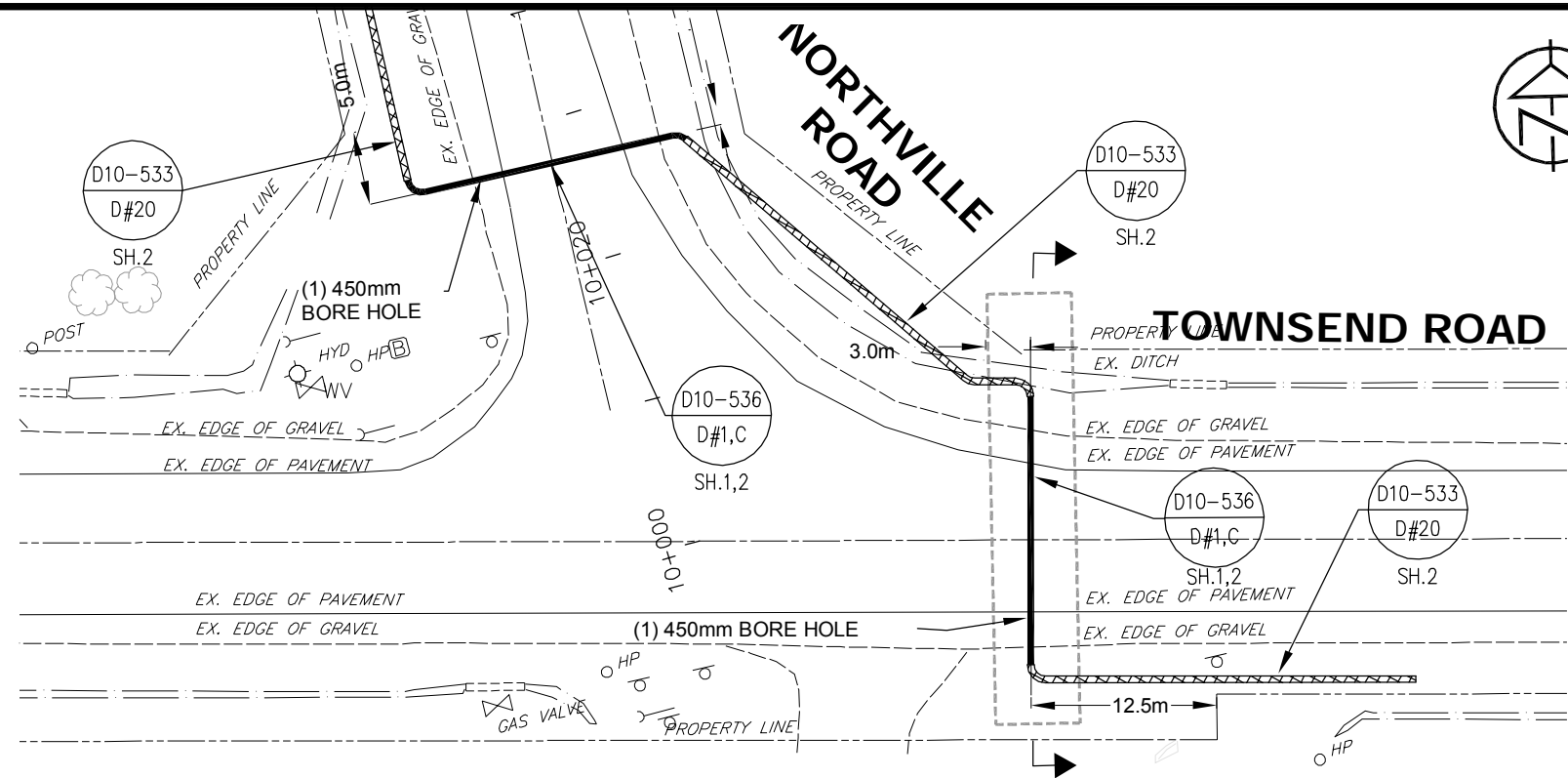
**NEXTERA ENERGY CANADA, ULC  
 JERICO WIND ENERGY CENTRE  
 CABLE CROSSING  
 NORTHVILLE ROAD AT TOWNSEND LINE**

SCALE: AS NOTED      DATE: OCTOBER 2013

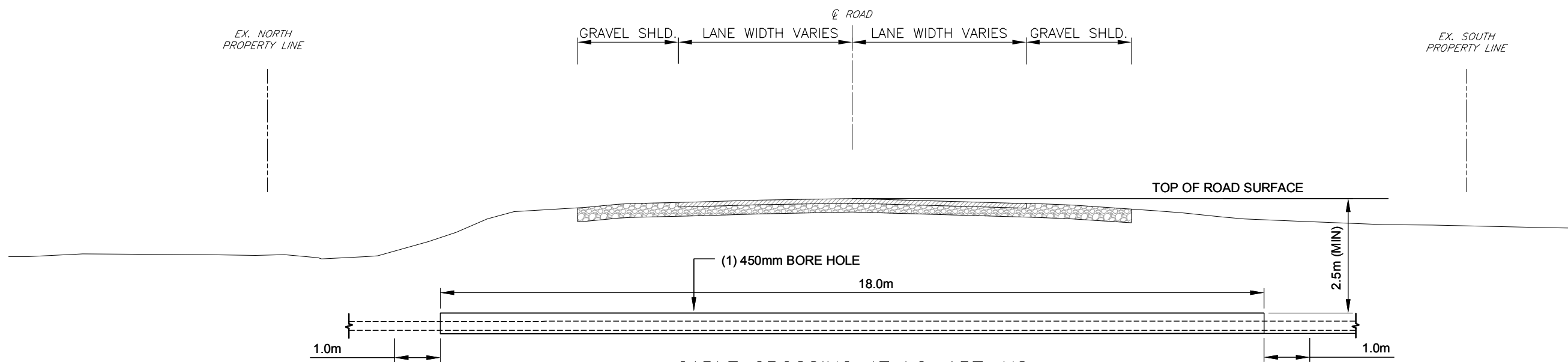
DWG. No.  
**LC-156-CROSSING**

C.C. TATHAM & ASSOCIATES Ltd.  
 FILE NO. 412414-1





HORZ. 1:500



CABLE CROSSING AT LC-157-NS  
NORTHVILLE ROAD AT TOWNSEND LINE

SCALE: 1:100

HORZ. 1:100

CONTRACT DRAWINGS  
CONTRACTOR MUST VERIFY ALL DIMENSIONS AND BE RESPONSIBLE FOR SAME. ANY DISCREPANCIES MUST BE REPORTED TO THE ENGINEER BEFORE COMMENCING WORK. DRAWINGS ARE NOT TO BE SCALED.

C.C. TATHAM & ASSOCIATES LTD. CLAIMS COPYRIGHT TO THIS DOCUMENT WHICH MAY NOT BE USED FOR ANY PURPOSE OTHER THAN THAT PROVIDED IN THE CONTRACT BETWEEN THE OWNER/CLIENT AND THE ENGINEER WITHOUT THE EXPRESS CONSENT OF C.C. TATHAM & ASSOCIATES LTD.

PIPE SIZES ARE IN MILLIMETRES UNLESS INDICATED. ELEVATIONS ARE IN METRES UNLESS INDICATED. ALL DIMENSIONS, ELEVATIONS AND SIZES ARE IN METRIC UNITS UNLESS INDICATED.

APPROVED FOR SUBMISSION



C.C. TATHAM & ASSOCIATES LTD. (CIVIL)

APPROVED FOR SUBMISSION



ONE LINE ENGINEERING INC. (ELECTRICAL)



OneLine

Engineering Inc. - Electrical Power Specialists  
Tel (905) 688-6857 Fax (905) 688-6926  
www.onelineeng.com

**NOT FOR CONSTRUCTION**

| NO. | REVISIONS                            | DATE     | INITIAL |
|-----|--------------------------------------|----------|---------|
| B   | RESUBMITTED TO COUNTY FOR PERMITTING | 12/05/13 | K.P.    |
| A   | INFORMATION FOR PERMITTING           | 06/11/13 | K.P.    |

**NEXTERA ENERGY CANADA, ULC  
JERICO WIND ENERGY CENTRE  
CABLE CROSSING  
NORTHVILLE ROAD AT TOWNSEND LINE WEST**

SCALE: AS NOTED

DATE: OCTOBER 2013

**C.C. Tatham & Associates Ltd.**  
Consulting Engineers

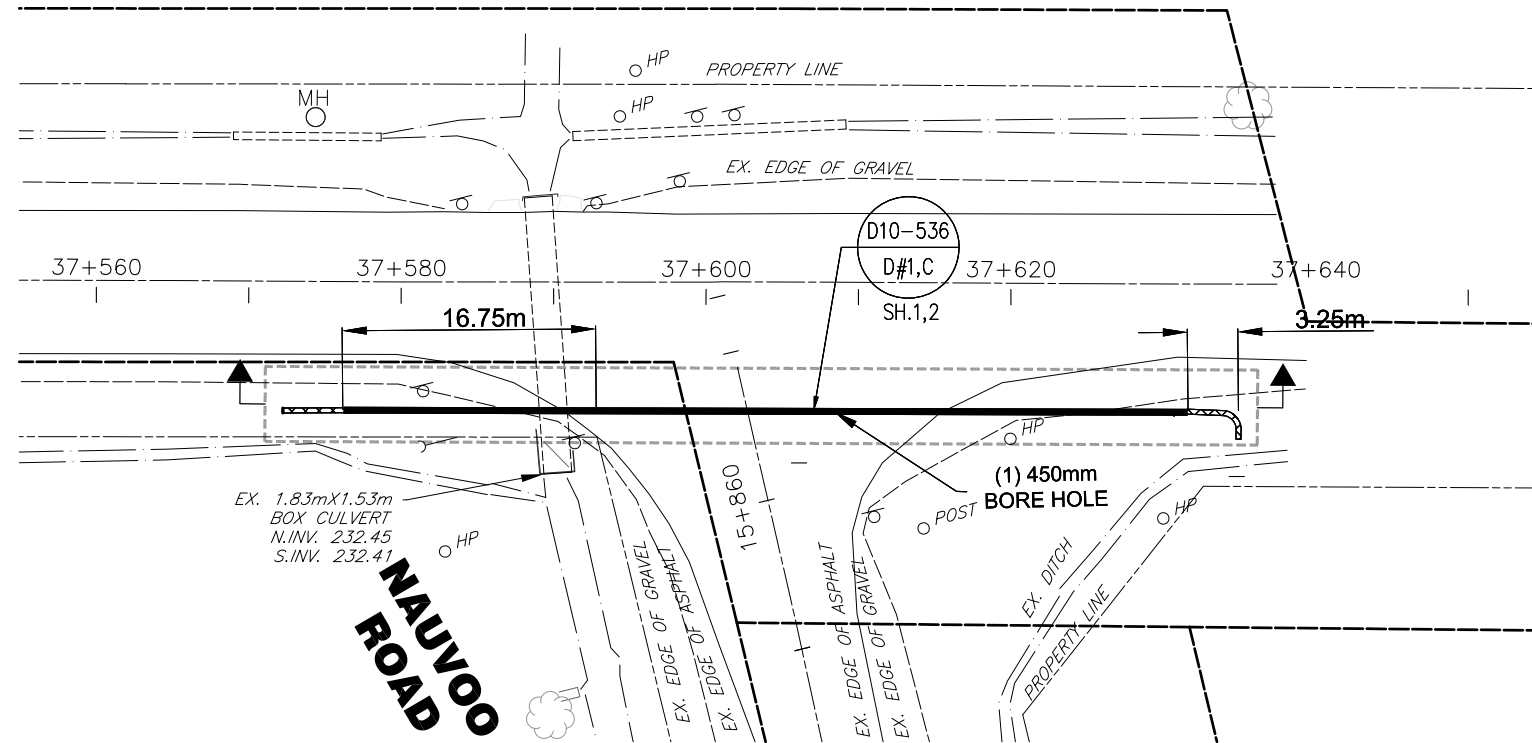
Collingwood Bracebridge Orillia Barrie

DWG. No.  
**LC-157**

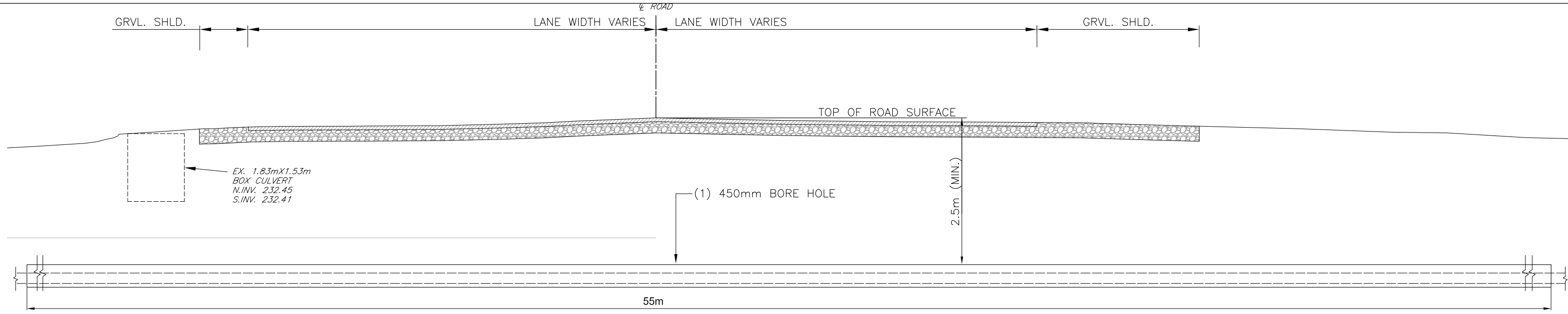
C.C. TATHAM & ASSOCIATES Ltd.  
FILE NO. 412414-1



# TOWNSEND LINE



HORZ. 1:500



HORZ. 1:100

CONTRACT DRAWINGS  
CONTRACTOR MUST VERIFY ALL DIMENSIONS AND BE RESPONSIBLE FOR SAME. ANY DISCREPANCIES MUST BE REPORTED TO THE ENGINEER BEFORE COMMENCING WORK. DRAWINGS ARE NOT TO BE SCALED.

C.C. TATHAM & ASSOCIATES LTD. CLAIMS COPYRIGHT TO THIS DOCUMENT WHICH MAY NOT BE USED FOR ANY PURPOSE OTHER THAN THAT PROVIDED IN THE CONTRACT BETWEEN THE OWNER/CLIENT AND THE ENGINEER WITHOUT THE EXPRESS CONSENT OF C.C. TATHAM & ASSOCIATES LTD.

PIPE SIZES ARE IN MILLIMETRES UNLESS INDICATED. ELEVATIONS ARE IN METRES UNLESS INDICATED. ALL DIMENSIONS, ELEVATIONS AND SIZES ARE IN METRIC UNITS UNLESS INDICATED.

APPROVED FOR SUBMISSION



C.C. TATHAM & ASSOCIATES LTD. (CIVIL)

APPROVED FOR SUBMISSION



ONE LINE ENGINEERING INC. (ELECTRICAL)



**One Line**

Engineering Inc. - Electrical Power Specialists

Tel (905) 688-6857 Fax (905) 688-6926  
www.onelineeng.com



**C.C. Tatham & Associates Ltd.**  
Consulting Engineers

Collingwood Bracebridge Orillia Barrie

**NOT FOR CONSTRUCTION**

| NO. | REVISIONS                  | DATE     | INITIAL |
|-----|----------------------------|----------|---------|
| A   | INFORMATION FOR PERMITTING | 12/05/13 | K.P.    |

**NEXTERA ENERGY CANADA, ULC**  
**JERICO WIND ENERGY CENTRE**  
**CABLE CROSSING**  
**TOWNSEND LINE AT NAUVOO ROAD**

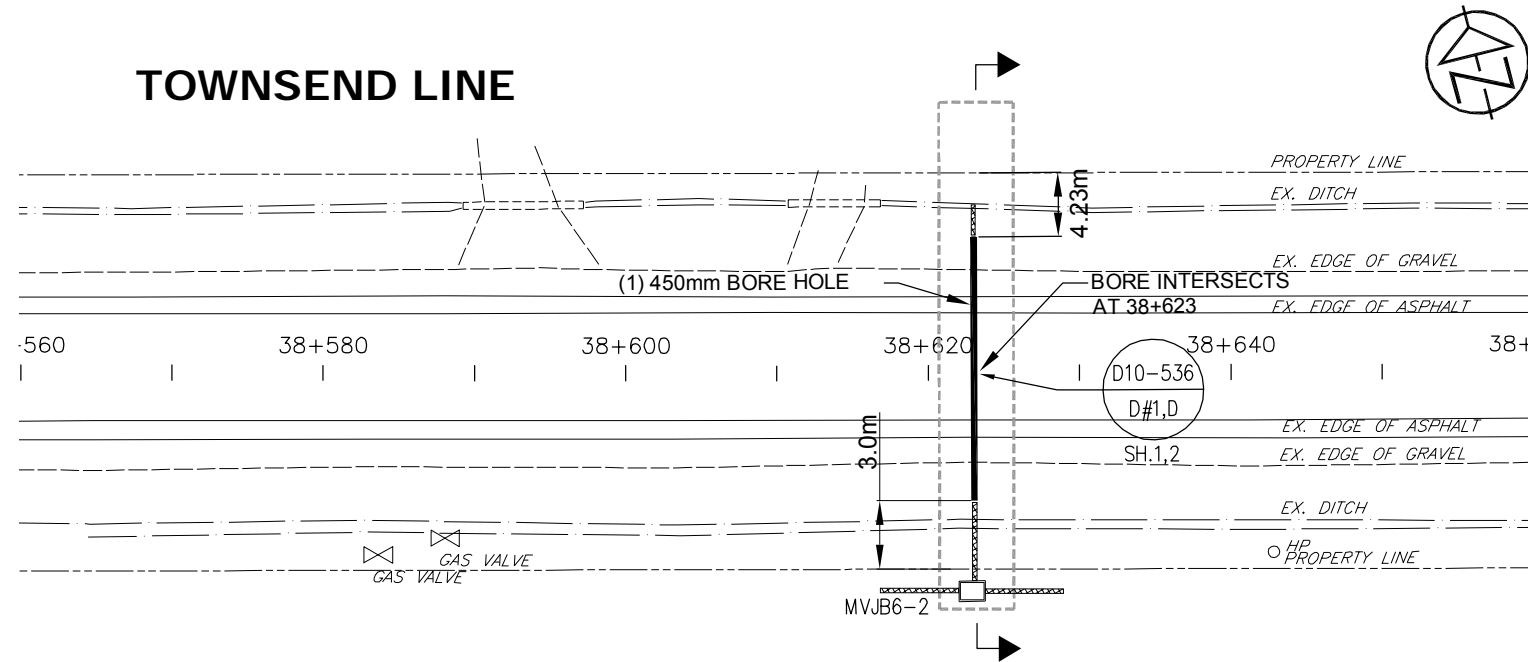
SCALE: AS NOTED      DATE: OCTOBER 2013

DWG. No.  
**LC-159-CROSSING**

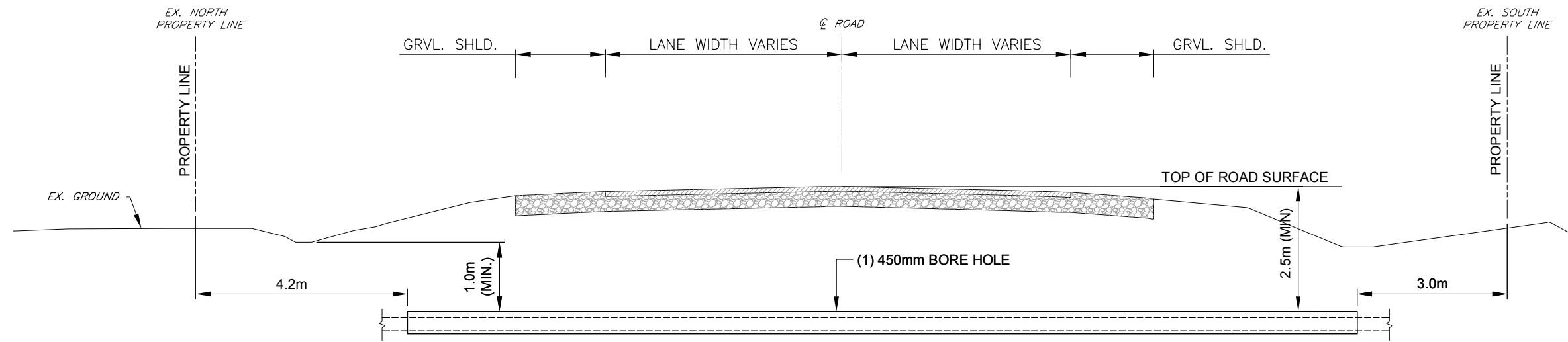
C.C. TATHAM & ASSOCIATES Ltd.  
FILE NO. 412414-1



# TOWNSEND LINE



HORZ. 1:500



HORZ. 1:100 VERT. 1:50

CONTRACT DRAWINGS  
CONTRACTOR MUST VERIFY ALL DIMENSIONS AND BE RESPONSIBLE FOR SAME. ANY DISCREPANCIES MUST BE REPORTED TO THE ENGINEER BEFORE COMMENCING WORK. DRAWINGS ARE NOT TO BE SCALED.

C.C. TATHAM & ASSOCIATES LTD. CLAIMS COPYRIGHT TO THIS DOCUMENT WHICH MAY NOT BE USED FOR ANY PURPOSE OTHER THAN THAT PROVIDED IN THE CONTRACT BETWEEN THE OWNER/CLIENT AND THE ENGINEER WITHOUT THE EXPRESS CONSENT OF C.C. TATHAM & ASSOCIATES LTD.

PIPE SIZES ARE IN MILLIMETRES UNLESS INDICATED. ELEVATIONS ARE IN METRES UNLESS INDICATED. ALL DIMENSIONS, ELEVATIONS AND SIZES ARE IN METRIC UNITS UNLESS INDICATED.

APPROVED FOR SUBMISSION

C.C. TATHAM & ASSOCIATES LTD. (CIVIL)

APPROVED FOR SUBMISSION

ONE LINE ENGINEERING INC. (ELECTRICAL)



**OneLine**  
Engineering Inc. - Electrical Power Specialists  
Tel (905) 688-6857 Fax (905) 688-6926  
www.onelineeng.com

**C.C. Tatham & Associates Ltd.**  
Consulting Engineers  
Collingwood Bracebridge Orillia Barrie

**NOT FOR CONSTRUCTION**

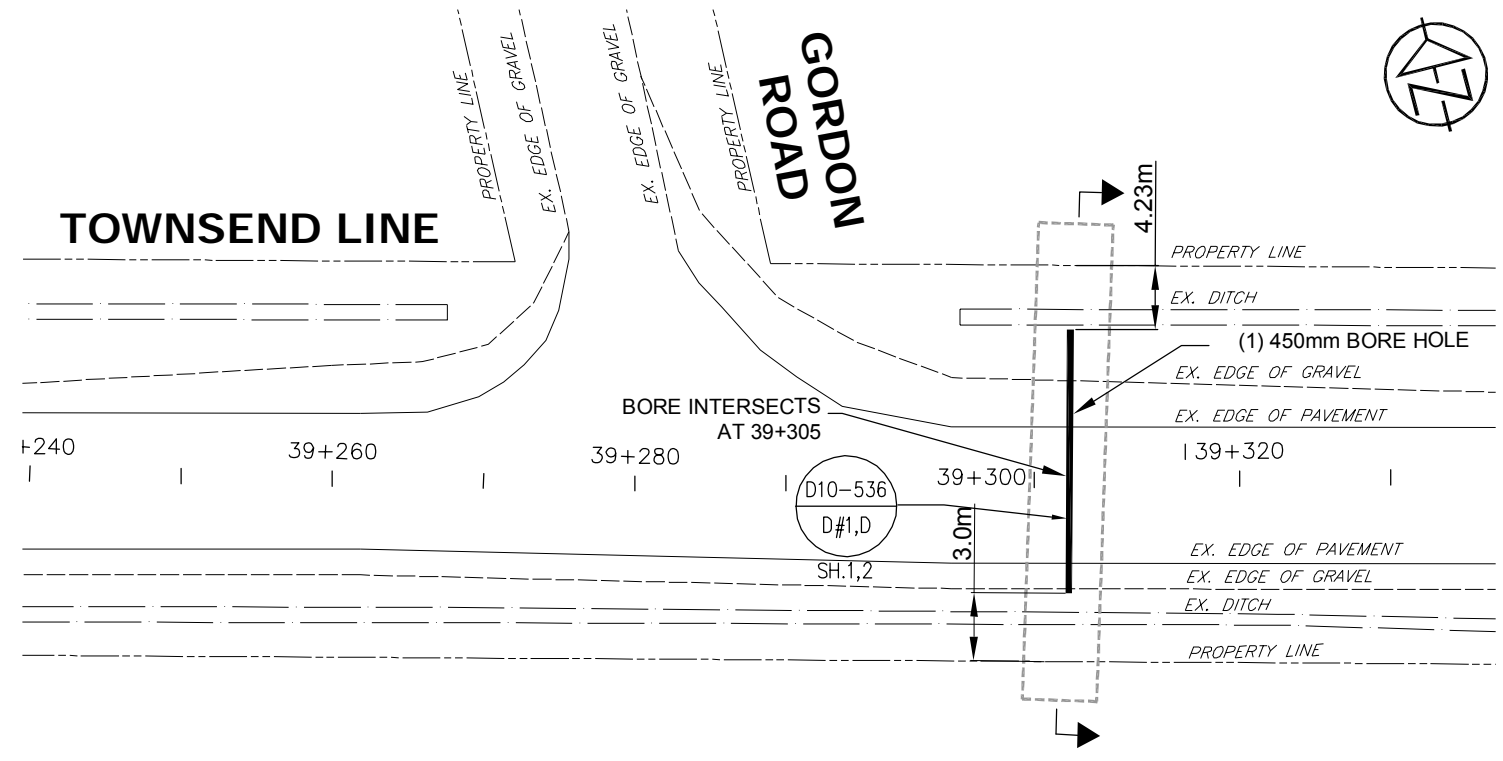
| NO. | REVISIONS                            | DATE     | INITIAL |
|-----|--------------------------------------|----------|---------|
| B   | RESUBMITTED TO COUNTY FOR PERMITTING | 12/05/13 | K.P.    |
| A   | INFORMATION FOR PERMITTING           | 06/11/13 | K.P.    |

**NEXTERA ENERGY CANADA, ULC**  
**JERICO WIND ENERGY CENTRE**  
**CABLE CROSSING**  
**TOWNSEND LINE AT TURBINE 63 & 64**

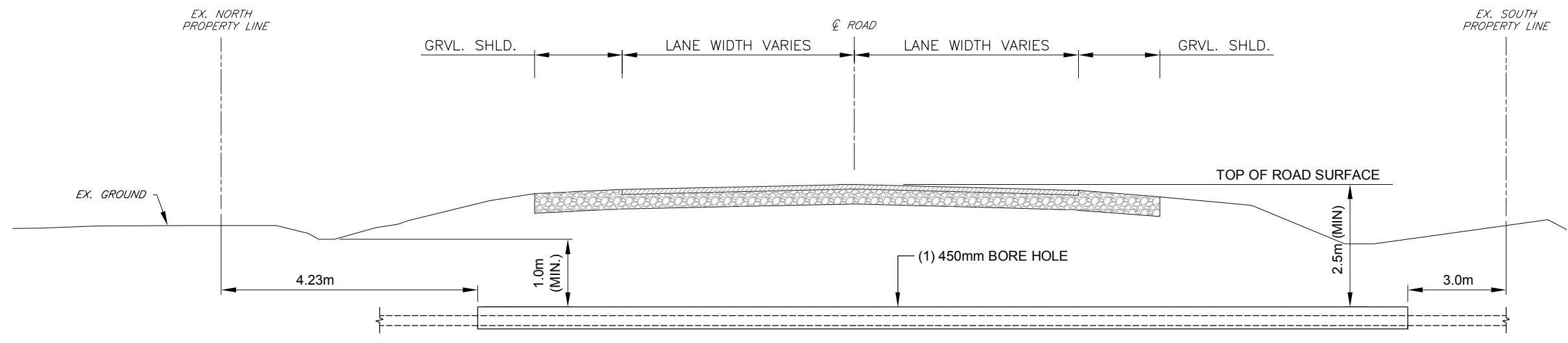
SCALE: AS NOTED  
DATE: OCTOBER 2013

DWG. No.  
**LC-177-CROSSING**  
C.C. TATHAM & ASSOCIATES Ltd.  
FILE NO. 412414-1





HORZ. 1:500



HORZ. 1:100 VERT. 1:50

CONTRACT DRAWINGS  
 CONTRACTOR MUST VERIFY ALL DIMENSIONS AND BE RESPONSIBLE FOR SAME. ANY DISCREPANCIES MUST BE REPORTED TO THE ENGINEER BEFORE COMMENCING WORK. DRAWINGS ARE NOT TO BE SCALED.

C.C. TATHAM & ASSOCIATES LTD. CLAIMS COPYRIGHT TO THIS DOCUMENT WHICH MAY NOT BE USED FOR ANY PURPOSE OTHER THAN THAT PROVIDED IN THE CONTRACT BETWEEN THE OWNER/CLIENT AND THE ENGINEER WITHOUT THE EXPRESS CONSENT OF C.C. TATHAM & ASSOCIATES LTD.

PIPE SIZES ARE IN MILLIMETRES UNLESS INDICATED. ELEVATIONS ARE IN METRES UNLESS INDICATED. ALL DIMENSIONS, ELEVATIONS AND SIZES ARE IN METRIC UNITS UNLESS INDICATED.

APPROVED FOR SUBMISSION

C.C. TATHAM & ASSOCIATES LTD. (CIVIL)

APPROVED FOR SUBMISSION

ONE LINE ENGINEERING INC. (ELECTRICAL)



**OneLine**  
 Engineering Inc. - Electrical Power Specialists  
 Tel (905) 688-6857 Fax (905) 688-6926  
 www.onelineeng.com

**C.C. Tatham & Associates Ltd.**  
 Consulting Engineers  
 Collingwood Bracebridge Orillia Barrie

**NOT FOR CONSTRUCTION**

| NO. | REVISIONS                            | DATE     | INITIAL |
|-----|--------------------------------------|----------|---------|
| B   | RESUBMITTED TO COUNTY FOR PERMITTING | 12/05/13 | K.P.    |
| A   | INFORMATION FOR PERMITTING           | 06/11/13 | K.P.    |

**NEXTERA ENERGY CANADA, ULC**  
**JERICO WIND ENERGY CENTRE**  
**CABLE CROSSING**  
**TOWNSEND LINE AT GORDON ROAD**

SCALE: AS NOTED  
 DATE: OCTOBER 2013

DWG. No.  
**LC-180-CROSSING**

C.C. TATHAM & ASSOCIATES Ltd.  
 FILE NO. 412414-1